

ERLAU[®]
A BRAND OF THE RUD GROUP

OPEN SPACE DESIGN

Catalogue Vol. 5



VALID FROM 1ST APRIL 2022



CONTACT

We are here to help.

GERMANY

RUD Ketten
Rieger & Dietz GmbH & Co. KG
Friedensinsel, 73432 Aalen
Tel. +49 7361 504-0
Fax +49 7361 504-3017
objekteinrichtung@erlau.com
www.erlau.com
www.shop.erlau.com

AUSTRIA

ERLAU in Österreich GmbH
Pfungauer Straße 67
5202 Neumarkt
Tel.: +43 6216 9000
Fax: +43 6216 9000-88
info@erlau.at
www.erlau.at

ITALY

SEDO
Julius-Durst 66
39042 Brixen (BZ), Südtirol
Tel.: +39 0472 971141
Fax: +39 0472 201148
info@sedo-bz.com
www.sedo-bz.com

INSPIRATION, SUSTAINABILITY & DESIGN - OUTDOOR DESIGN

with passion since 1828

Transforming outdoor areas into social meeting places for people to communicate, get together and meet each other – that is our mission. Trust and solidarity, as well as the modern forms of today's working world and mobility call for holistic, sustainable solutions for smart, urban and commercial space. Combined with human skills and industrial resources, the inspired application of design and technology transforms ideas into unique and long-lasting forms and functions.

At ERLAU, sustainability has many facets. Since 1828, we have stood for German engineering expertise and quality, which are expressed in every product and service we offer. As a fifth-generation family business, we are proud that our employees have helped to shape the course of our company from generation to generation.

Ecological sustainability is not only reflected in our main plant's exclusive use of renewable energies for its power supply, but also in our worldwide exclusive production of surfaces from the castor plant. Our voluntary environmental certification is just another example.

For you, the economic sustainability of our solutions is elementary. The modularity of large parts of our vandalism-optimised range ensures that you always make the most economical and sustainable choice in the long term. In worst-case scenarios, this modularity allows the lifelong servicing and renewal the products at low cost and with low environmental impact. We can also deliver many products in our range in quick delivery times that are unusual for the market.

An outdoor space is designed to last for decades and therefore requires a timeless design. Developed together with users, we are proud to present a range of dog toilets for the first time this year. Our extensive range of seats and tables has been further extended to include barrier-free solutions.

On the following pages, we invite you to be inspired – whether by the new Solaris design line or another of our new solutions! We will be happy to advise you and help you develop the solution for you. ERLAU is your reliable and dynamic partner for sustainable design!

On behalf of the Rieger family and the ERLAU team





SUSTAINABILITY *with passion*

What is ERLAU's approach to the topic of "sustainability"?

Our efforts to combine quality and environment have a long-standing tradition. The headquarters of the ERLAU brand was established in 1875 as a "factory in the countryside". Since 1898, our company site has borne the name "Island of Peace" as a place of reconciliation between technology and nature and social partnership.

Our certification in 2001 with an integrated quality and environmental management system according to ISO 9001 / 14001 is a fitting continuation of this tradition. In 2012, our energy management system was also certified according to ISO 50001. This is also in line with our mission statement of achieving continuous growth while taking the conservation of resources and our environment into account.

We only use high-quality, robust raw materials. The materials used at ERLAU satisfy the highest quality standards in terms of sustainability, environmental friendliness and durability.

our "factory in the greens"



STEEL IS USED, NOT CONSUMED.



Steel

- ...is a natural and renewable material and can be 99% recycled and processed into a new product.
- ...is stable in value due to its capacity for repurposing and its durability.
- ...conserves resources. Steel's processing properties and resilience with small dimensions save material and operating costs.
- ...enables great freedom of design. Slim constructions create space to realise visions.
- ...is economical, flexible and durable.



Recycled Plastic
made from secondary raw materials created from production and consumer waste



Accoya®
is derived from the sustainable Pinus Radiata (pine) and is a durable and very stable solid wood (FSC-certified).



Bamboo Savanna
grows as much as 30 cm per day and can be cut down after only 5 years.



Dark Bamboo
has high density and hardness, making it extremely durable and vandalism-resistant.



Pagholz®
is an extremely durable and high-quality material made from indigenous copper-beech trees (FSC-certified).



Iroko
has not only a refined look, but also great hardness and extreme resilience (FSC-certified).



Robinia
grows very quickly, is exceptionally strong and durable.



ERLAU®

A BRAND OF THE RUD GROUP

MOBILITY CONCEPTS	P. 8
CITYLINE	P. 10
CARELINE	P. 36
BENCHES	P. 48
SEAT GROUPS	P. 88
SEAT-TABLE COMBINATIONS	P. 106
CHAIRS & TABLES	P. 118
WASTE CONTAINERS & ASHTRAYS	P. 142
DOG TOILETS	P. 158
BICYCLE PARKING SYSTEMS	P. 164
PEDALO BIKE BOX	P. 174
LONGERS	P. 180
BOLLARDS	P. 192
EXCERCISE EQUIPMENT VITAGYM	P. 194
COMPONENTS & SPARE PARTS	P. 218
ERLAU GENERAL	P. 230

MODERN MOBILITY CONCEPTS

MODERN MOBILITY CONCEPTS with ERLAU®

Erlau helps in the everyday working life of a modern, urban person, with the practical Erlau-mobility solutions!

Step 1 AT HOME

07.00 a.m.: Leave the apartment on time to get to the next town together with a neighbour. Simply select the destination on the rideshare bench and wait...



From page 80

Step 2 EDGE OF TOWN

07.15 a.m.: Arrival at the edge of town. You grab your bike, which is securely fastened to the Erlau bicycle stand, and cycle to the station...



From page 164

Step 3 PARK AND RIDE

07.20 a.m.: In the Erlau Pedalo bike box (ideal for bicycles, e-bikes and e-scooters), the e-bike is safely stowed away again so that you can continue on to your next destination by train...



From page 174

Step 3 TRAIN STATION

07.30 a.m.: Short coffee break, on one of the many comfy Erlau seating groups at the station, until it's time to continue on foot to the next bus stop...

Step 5 WORK

08.00 a.m.: Arrived at work on time. Of course, all employees spend their lunch break outside, in the fresh air, on one of the many Erlau seat-table combinations offered by the employer.

Step 4 BUS STOP

07.45 a.m.: Here at last, after a short walk. Now you wait for the connecting bus. Good that the bus stops have Erlau seating groups...



From page 88



From page 106

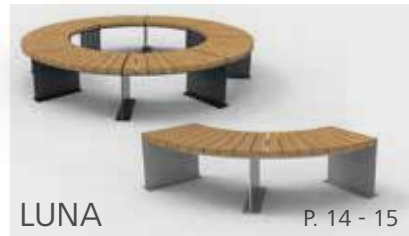


From page 88



ERLAU® CityLine





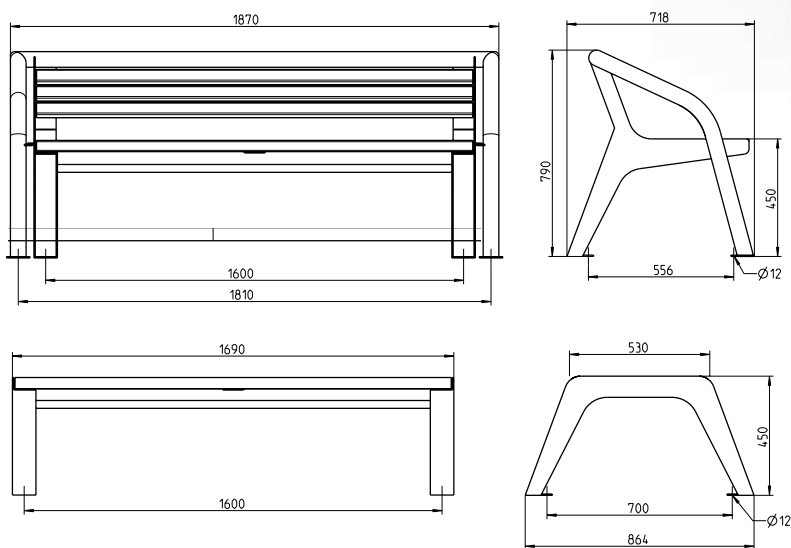


ERLAU® CityLine Plaza & Plaza Air

Bench Plaza with and without backrest.
Dynamic expression. But one that never tips over.

- Mobile with drilled hole for fixing
- Laser-cut mouldings and round tube
- Metal parts hot-dip galvanised and powder-coated
- Seat and backrest with iroko (FSC certified) or robinia planks
- Rounded outer seat surface plank
- Plaza dimensions (W x D x H): 1,870 x 718 x 790 mm
- Dimensions of Plaza without backrest (W x D x H): 1,690 x 864 x 450 mm

Matching waste containers:
 From page 142



BENCH PLAZA				
Designation	with backrest		without backrest	
	Article no.			
Plaza iroko	54553..*		54556..*	

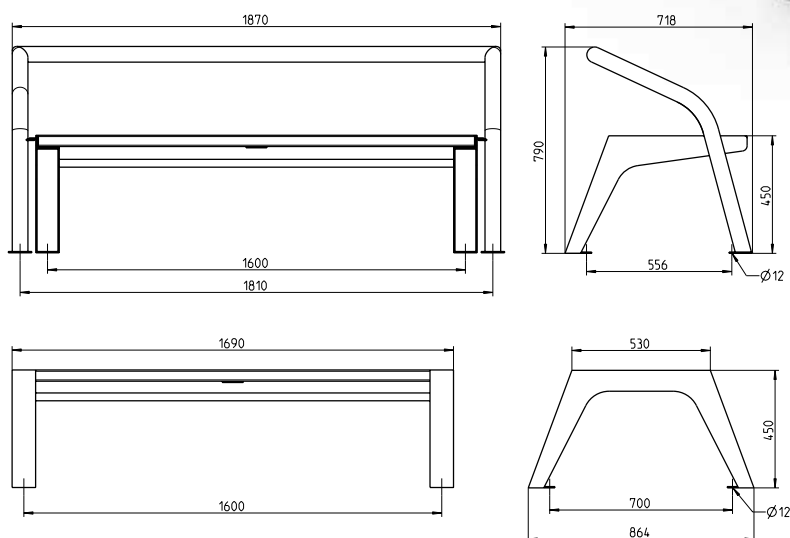
Execution on request also possible in robinia.



Bench Plaza with and without backrest. Lightweight and still going strong.

- Mobile with drilled hole for fixing
- Laser-cut mouldings and round tube
- Metal parts hot-dip galvanised and powder-coated
- Seat and backrest with iroko (FSC certified) or robinia planks
- Dimensions Plaza Air (W x D x H): 1,870 x 718 x 790 mm
- Dimensions Plaza Air without backrest (W x D x H): 1,690 x 864 x 450 mm

Matching waste containers:
From page 142



BENCH PLAZA AIR

Designation	with backrest		without backrest	
	Article no.			
Plaza air iroko	54554..*		54555..*	

Execution on request also possible in robinia.



ERLAU® CityLine Luna

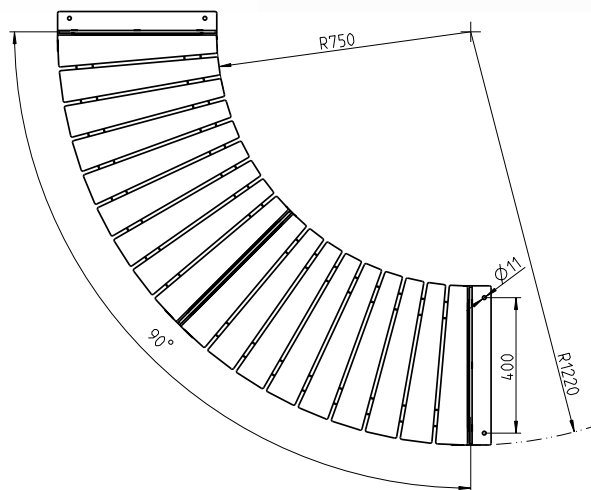
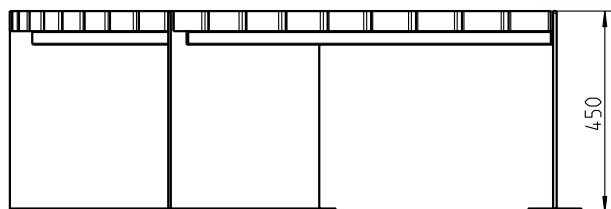
Bench Luna.

Plain yet with plenty of curves.

- 90° single element – can be extended
- Legs, mobile, with drilled hole for fixing
- Metal parts hot-dip galvanised and powder-coated
- Seat with iroko (FSC certified) or robinia planks
- Dimensions of 90° single elements (W x D x H): 1,220 x 470 x 450 mm
- Full circle diameter: 2,440 mm

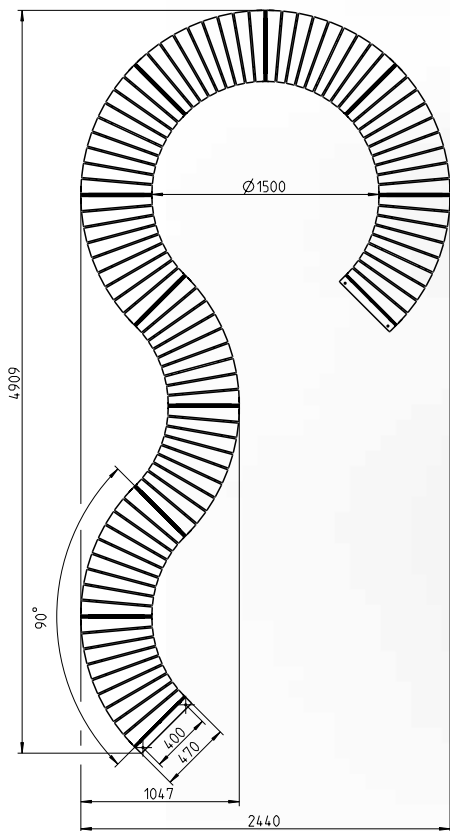
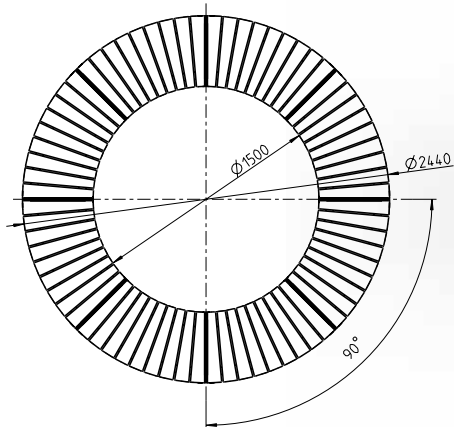
Matching waste containers:

From page 142



BENCH LUNA		
Designation	Mobile	
	Article no.	
Luna 90° element iroko	54550..*	

Execution on request also possible in robinia.



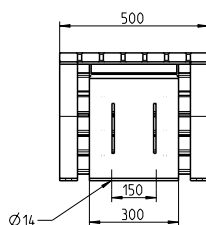
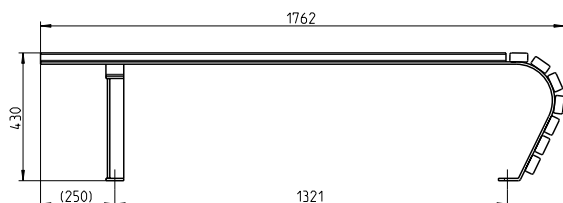
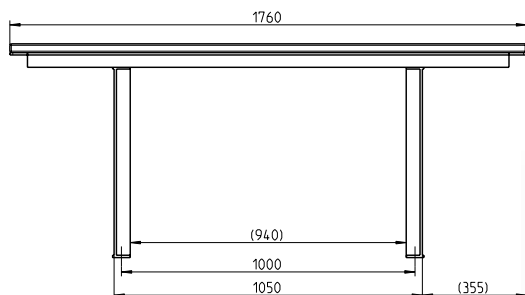


ERLAU® CityLine Fuego

Bench and table Fuego.
Elegant appearance, strong stability.

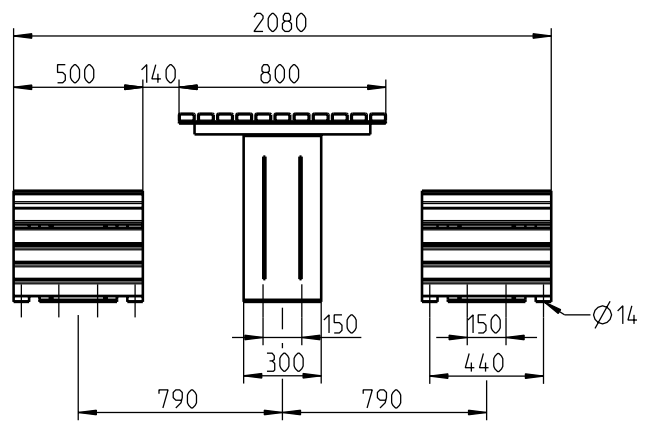
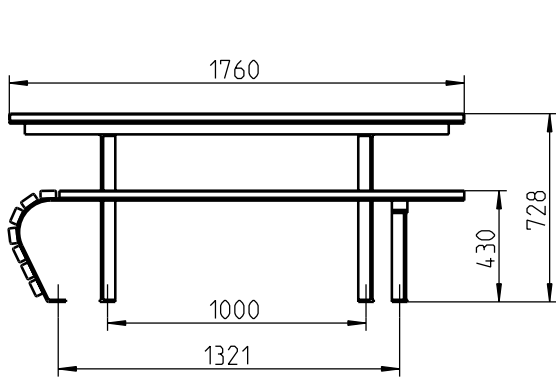
- Mobile with drilled hole for fixing
- Metal parts hot-dip galvanised and powder-coated
- Seat and backrest with iroko (FSC certified) or robinia planks
- Bench dimensions (W x D x H): 1,760 x 500 x 430 mm
- Table dimensions (W x D x H): 1,760 x 800 x 728 mm

Matching waste containers:
From page 142



SEATING GROUP FUEGO		
Designation	Mobile	
	Article no.	
Bench Fuego iroko	54552..*	
Table Fuego iroko	54551..*	

Execution on request also possible in robinia.



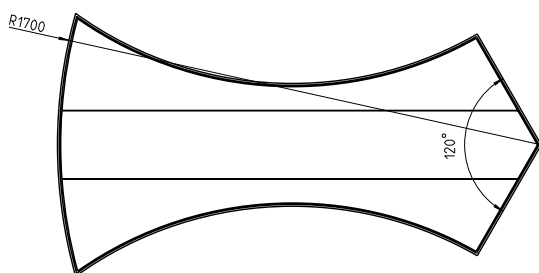
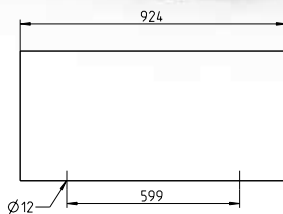
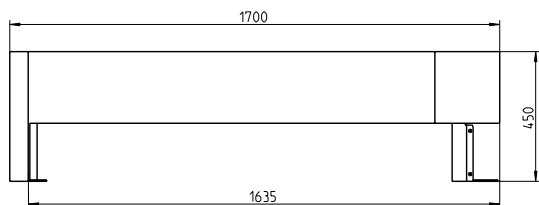
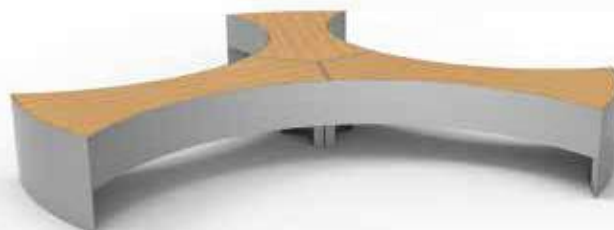


ERLAU® CityLine Estrella

Bench Estrella.
Lights up any space.

- Single element – for combination with others
- Reinforced structure
- Metal frame hot-dip galvanised and powder-coated
- Full seat surface with iroko (FSC certified) or robinia planks
- Dimensions of single elements
 (W x D x H): 1,700 x 924 x 450 mm
- Diameter of star-shaped 3-seater group: 3,400 mm

Matching waste containers:
 From page 142



BENCH ESTRELLA		
Designation	Mobile	
	Article no.	
Estrella iroko	54549..*	

Execution on request also possible in robinia.

ERLAU® CityLine Florano

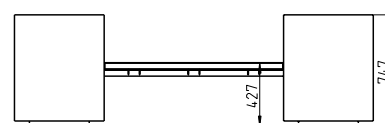
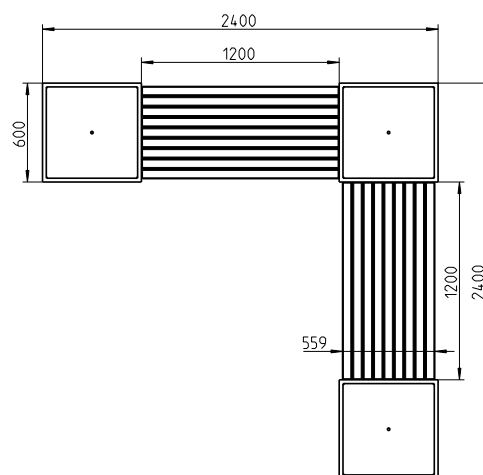
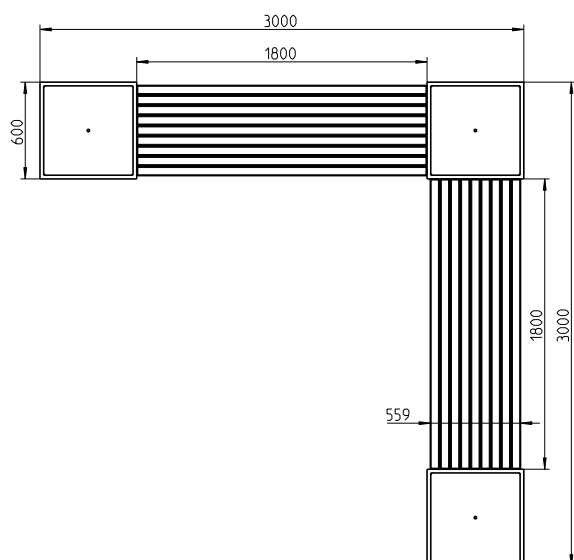
Planter Florano with bench. Sit surrounded by greenery, even in the city.

- Combination of planter and seat surface
- Mobile with drilled drainage hole
- Metal parts hot-dip galvanised and powder-coated
- Seat with iroko (FSC certified) or robinia planks
- Dimensions of planter Florano with 2 x bench 120 / 2 x bench 180 / bench 120 + 180 (W x D x H): 600 x 600 x 747 mm
- Dimensions of planter Florano with bench 200 (W x D x H): 2,000 x 500 x 750 mm
- Dimensions of seat surface on Florano with bench 120 or 180 (W x D x H): 1,200 / 1,800 x 559 x 427 mm
- Dimensions of seat surface on Florano with 2 x bench 200 (W x D x H): 2,000 x 500 x 445 mm



Matching waste containers:

From page 142



BENCH AND PLANTER FLORANO		
Designation	Mobile	
	Article no.	
Planter Florano with 2 x bench 120 iroko	54568..*	
Planter Florano with 2 x bench 180 iroko	54569..*	
Planter Florano with bench 120 + 180 iroko	54570..*	
Planter Florano 200x50x75 with bench 200 iroko	54571..*	

Execution on request also possible in robinia.

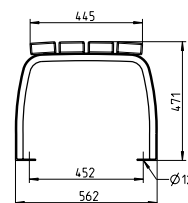
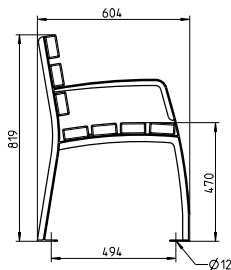
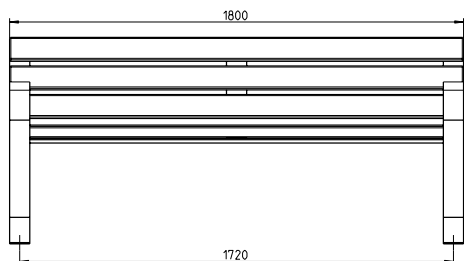


ERLAU® CityLine Verano

Bench, chair and seating group Verano.
Classic and versatile. Seating in all of its forms.

- Mobile with drilled hole for fixing
- Laser-cut mouldings
- Metal parts hot-dip galvanised and powder-coated
- Seat and backrest with iroko (FSC certified) or robinia planks
- Bench dimensions (W x D x H): 1,800 x 604 x 819 mm
- Bench dimensions without backrest (W x D x H): 1,800 x 562 x 471 mm
- Chair dimensions (W x D x H): 710 x 604 x 819 mm
- Dimensions of seating group (W x D x H): 2,000 x 604 x 819 mm


Matching waste containers:
 From page 142

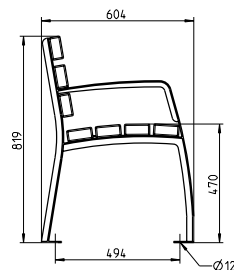
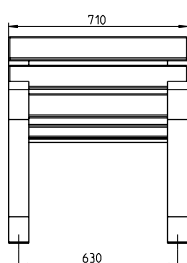
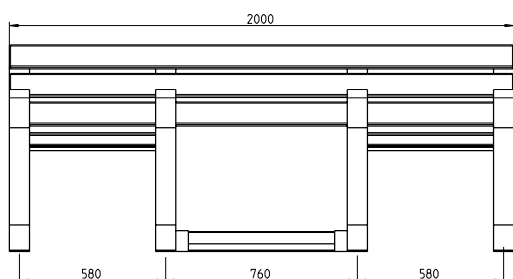


BENCH VERANO			
Designation	with backrest		without backrest
	Article no.		
Bench Verano with iroko	54564..*		54565..*

Execution on request also possible in robinia.



 PARKING FACILITIES FOR WALKING AIDS



CHAIR AND SEATING GROUP VERANO		
Designation	Mobile	
	Article no.	
Chair Verano iroko	54566..*	
Seating group Verano iroko	54567..*	

Execution on request also possible in robinia.

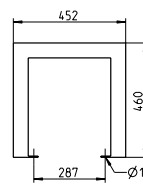
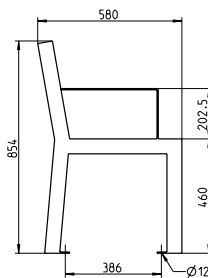
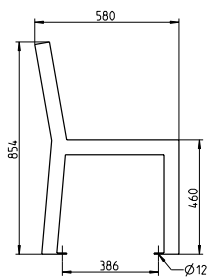
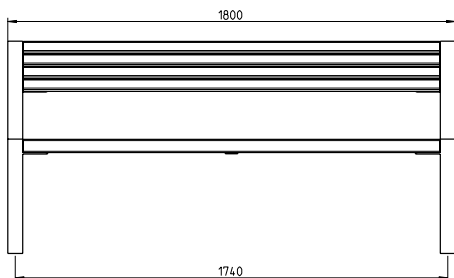


ERLAU® CityLine Patio

**Bench Patio. The bench for every occasion.
Fits anytime, anywhere.**

- Mobile with drilled hole for fixing
- Metal parts hot-dip galvanised and powder-coated
- Seat and backrest with iroko (FSC certified) or robinia planks
- Dimensions of Patio (W x D x H): 1,800 x 580 x 854 mm
- Dimensions of Patio without backrest (W x D x H): 1,800 x 452 x 460 mm

Matching waste containers:
From page 142



BENCH PATIO				
Designation	with backrest		without backrest	
	Article no.			
Bench Patio without armrest	54557..*		54559..*	
Bench Patio with armrest	54558..*		-	

Execution on request also possible in robinia.

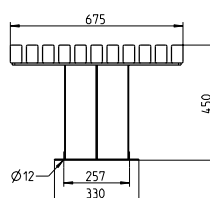
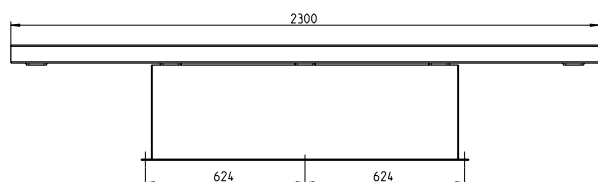


ERLAU® CityLine Pisa

Bench Pisa. Certainly not leaning!
Streamlined and solid.

- Stationary with drilled hole for fixing
- Welded substructure, hot-dip galvanised and powder-coated
- Seat with iroko (FSC certified) or robinia planks
- Dimensions (W x D x H): 2,300 x 675 x 450 mm

Matching waste containers:
From page 142



BENCH PISA		
Designation	Mobile	
	Article no.	
Bench Pisa iroko	54560..*	

Execution on request also possible in robinia.

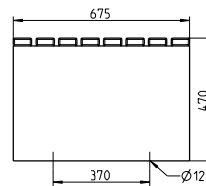
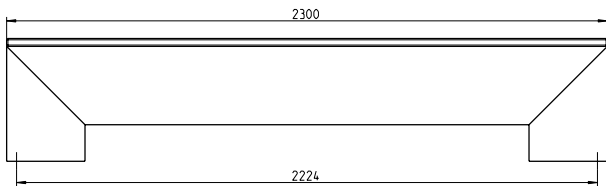


ERLAU® CityLine Olbia

Bench Olbia. Think big!
Lots to see and sit down for.

- Mobile with drilled hole for fixing
- Welded substructure, hot-dip galvanised and powder-coated
- Seat with iroko (FSC certified) or robinia planks
- Dimensions (W x D x H): 2,300 x 675 x 470 mm

Matching waste containers:
 From page 142



BENCH OLBIA		
Designation	Mobile	
	Article no.	
Bench Olbia iroko	54561..*	

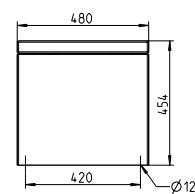
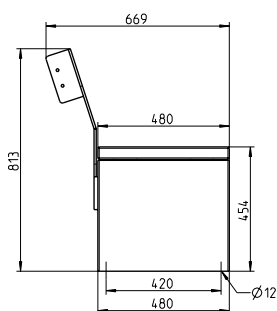
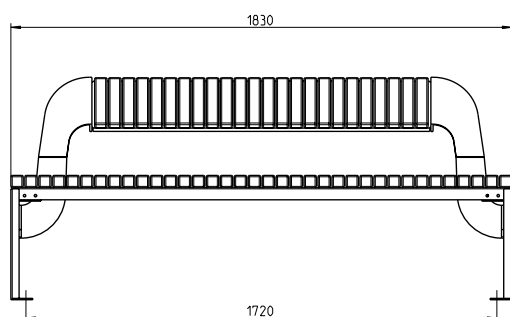
Execution on request also possible in robinia.

ERLAU® CityLine Andria

Bench Andria. Elegance and function are the distinguishing attributes.

- Mobile with drilled hole for fixing
- Metal parts hot-dip galvanised and powder-coated
- Seat and backrest with iroko (FSC certified) or robinia planks
- Dimensions Andria (W x D x H): 1,830 x 669 x 813 mm
- Dimensions of Andria without backrest (W x D x H): 1,830 x 480 x 454 mm

Matching waste containers:
From page 142



BENCH ANDRIA

Designation	with backrest		without backrest	
	Article no.			
Andria	54562..*		54563..*	

Execution on request also possible in robinia.



ERLAU® CityLine Urbano

Urbano concrete benches.

Aesthetic diversity in urban spaces. Whether organically flowing contours or strikingly cubic designs. The polyvalence of concrete as a material combines architectural sophistication and functional pragmatism.



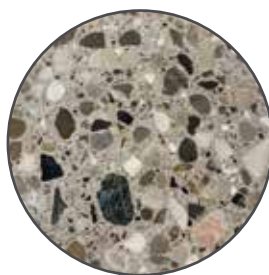
STRIKINGLY CUBIC...



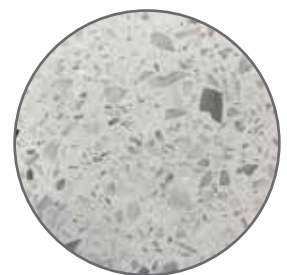
CityLine Urbano Concrete Benches

Choose from two colour
variants:

Grey concrete:



White concrete:

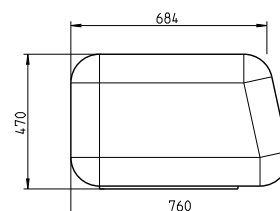
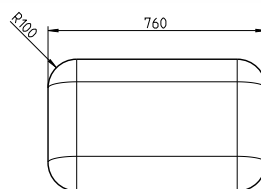
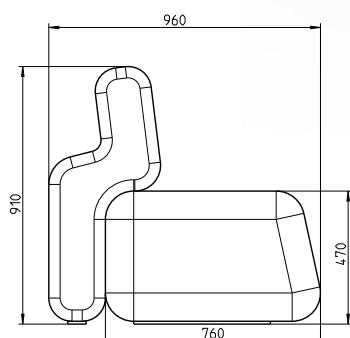
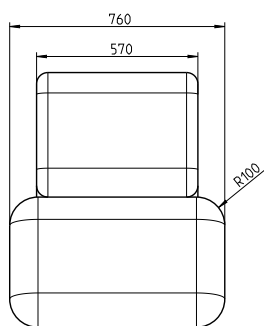
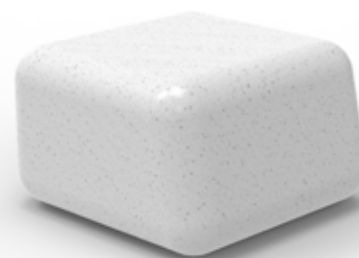




ERLAU® CityLine Urbano Sfero

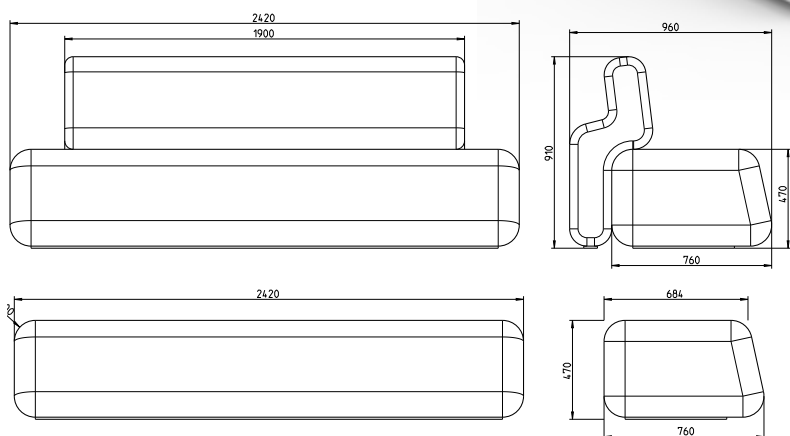
The Urbano Sfero bench. A bench for universal use in a simple, modern design.

- Portable
- Material: concrete seat and backrest
- 1-seater, without backrest
Dimensions (W x D x H): 760 x 760 x 470 mm, Weight: 561 kg
- 1-seater, with backrest
Dimensions (W x D x H): 760 x 960 x 910 mm, Weight: 810 kg
- 4-seater, without backrest
Dimensions (W x D x H): 2,420 x 760 x 470 mm, Weight: 1,833 kg
- 4-seater, with backrest
Dimensions (W x D x H): 2,420 x 960 x 910 mm, Weight: 2,696 kg



URBANO SFERO BENCH 1-SEATER

Designation	Without backrest		With backrest	
	Item no.		Item no.	
Seat element for Urbano Sfero 1-seater, white	5008135		5008183	
Seat element for Urbano Sfero 1-seater, grey	5008136		5008184	



URBANO SFERO BENCH 4-SEATER

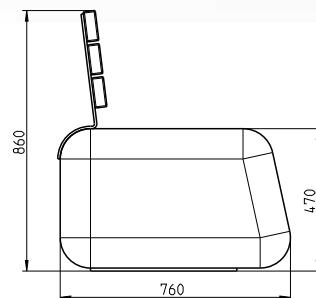
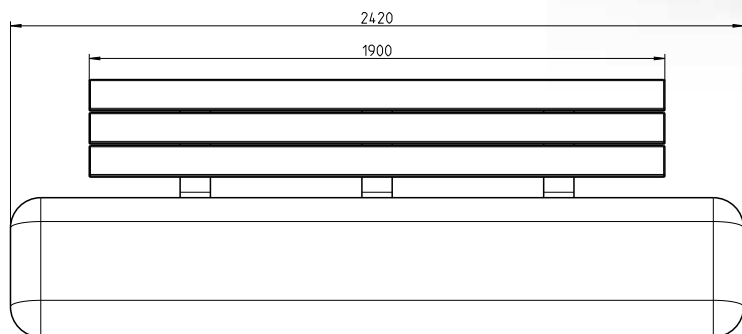
Designation	Without backrest		With backrest	
	Item no.		Item no.	
Urbano Sfero bench 4-seater, white	5008185		5008187	
Urbano Sfero bench 4-seater, grey	5008186		5008188	



ERLAU® CityLine Urbano Sfero Wood

The Sfero Iroko bench. An individual combination of wood and concrete.

- Portable
- Material: concrete seat, Iroko or Robinia backrest
- Dimensions (W x D x H): 2,420 x 760 x 860 mm
- Weight: 1,858 kg



URBANO SFERO BENCH 4-SEATER

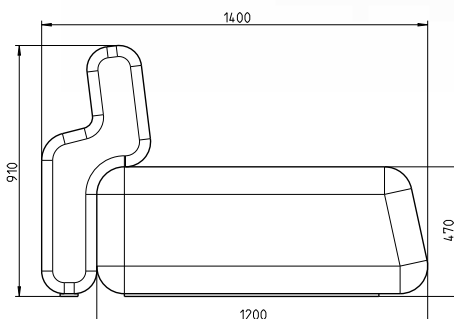
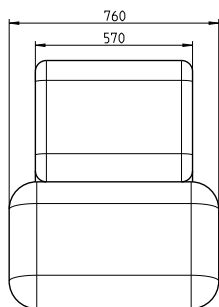
Designation	With backrest	
	Item no.	
Urbano Sfero Iroko bench, white	5008189	
Urbano Sfero Iroko bench, grey	5008190	

Robinia version also available on request.

ERLAU® CityLine Urbano Sfero Chaise Longue

The Urbano Sfero chaise longue. Sit comfortably or put up your feet and relax.

- Portable
- Material: concrete seat and backrest
- Dimensions (W x D x H): 760 x 1,400 x 910 mm
- Weight: 1,167 kg



URBANO SFERO CHAISE LONGUE 1-SEATER

Designation	With backrest	
	Item no.	
Urbano Sfero chaise longue 1-seater, white	5008191	
Urbano Sfero chaise longue 1-seater, grey	5008192	

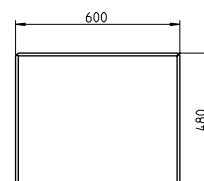
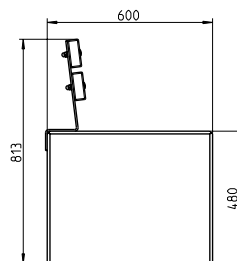
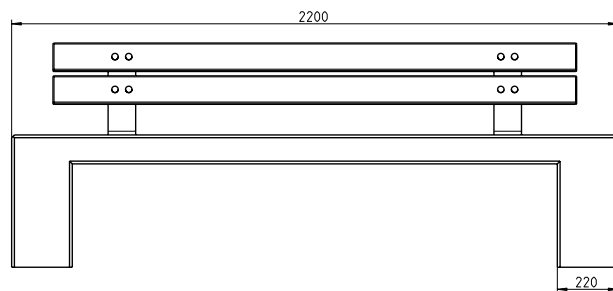
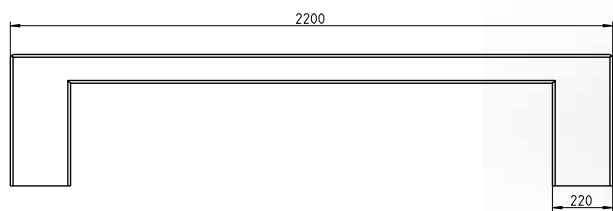


ERLAU® CityLine Urbano Cubo

The Urbano Cubo bench. The concrete bench in a puristic, elegant design.

- Portable
- Material: concrete seat, backrest with Iroko (FSC-certified) or Robinia planks
- 4-seater, without backrest:
Dimensions (W x D x H): 2200 x 600 x 480 mm,
Weight: 545 kg
- 4-seater, with backrest:
Dimensions (W x D x H): 2,200 x 600 x 813 mm,
Weight: 560 kg

Matching Urbano Cubo table:
Page 34 & 120



URBANO CUBO BENCH

Designation	Without backrest		With backrest	
	Item no.		Item no.	
Urbano Cubo bench, white	5008201		5008205	
Urbano Cubo bench, grey	5008202		5008206	

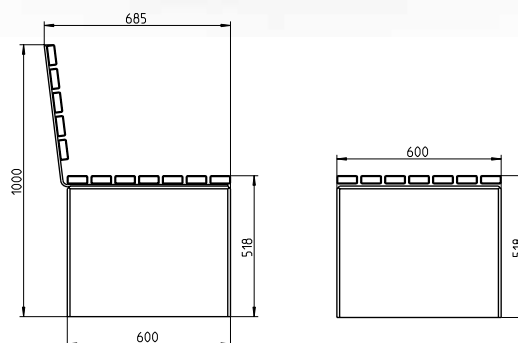
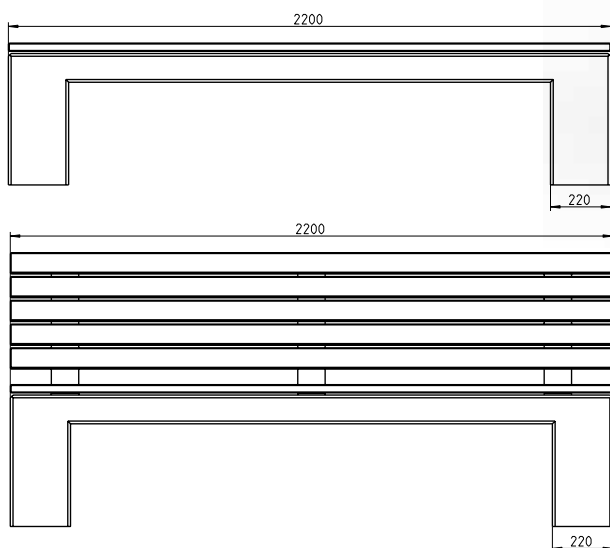
Robinia version also available on request.

ERLAU® CityLine Urbano Cubo Wood

The Urbano Cubo Iroko bench. High sturdiness and a warm look are not mutually exclusive.

- Portable
- Material: concrete seat, seat surface and backrest with Iroko (FSC-certified) or Robinia planks
- 4-seater, without backrest:
Dimensions (W x D x H): 2,200 x 600 x 518 mm,
Weight: 567 kg
- 4-seater, with backrest:
Dimensions (W x D x H): 2,200 x 685 x 1,000 mm,
Weight: 604 kg

Matching Urbano Cubo table:
Page 34 & 120



URBANO CUBO IROKO BENCH

Designation	Without backrest		With backrest	
	Item no.		Item no.	
Urbano Cubo Iroko bench, white	5008203		5008207	
Urbano Cubo Iroko bench, grey	5008204		5008208	

Robinia version also available on request.

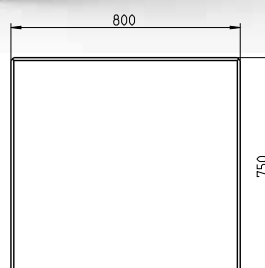
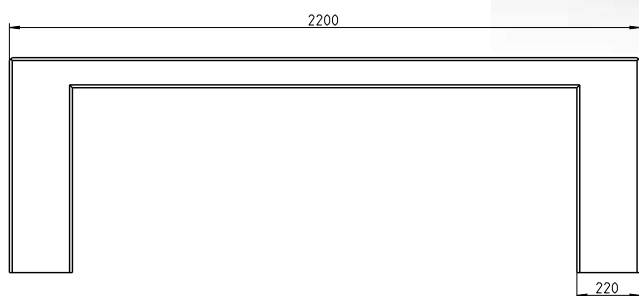
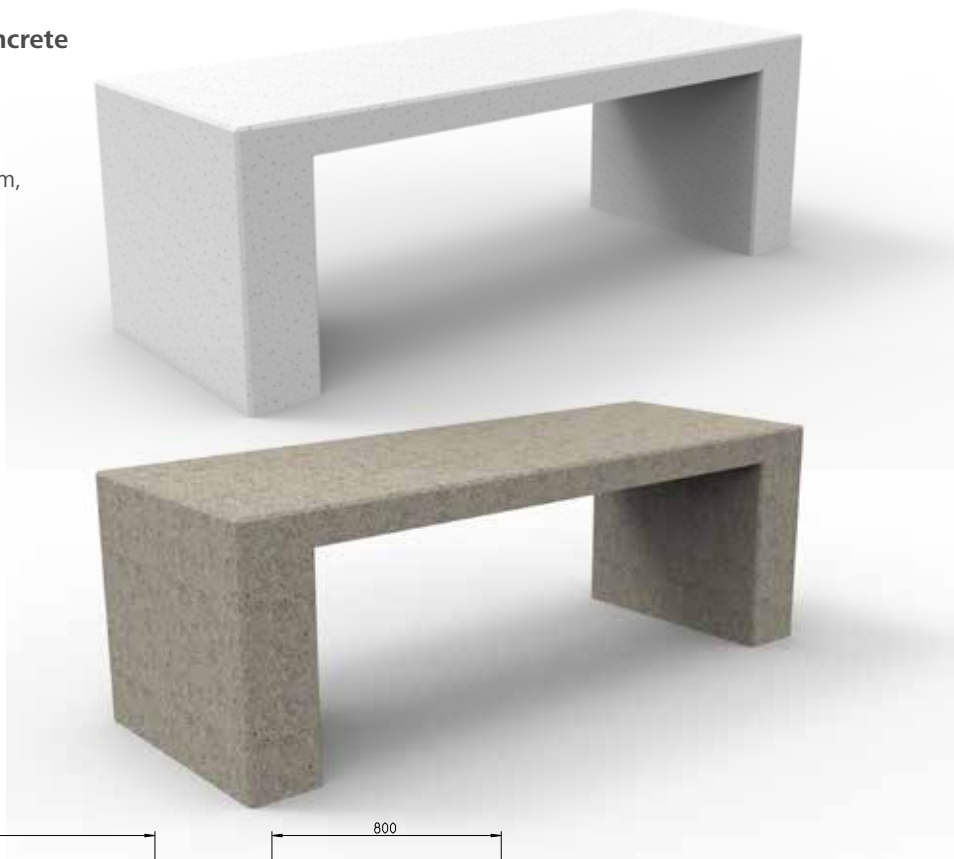


ERLAU® CityLine Urbano Cubo

The Urbano Cubo table. An austere concrete aesthetic for a modern outdoor space.

- Portable with fixing hole
- Material: concrete
- Dimensions (W x D x H): 2,200 x 800 x 750 mm, Weight: 945 kg

Matching Urbano Cubo benches:
On pages 32 - 33



URBANO CUBO TABLE		
Designation	Portable	
	Item no.	
Urbano Cubo table, white	5008217	
Urbano Cubo table, grey	5008218	



CityLine Urbano Cubo
BENCH
Page 32

WE OFFER YOU BARRIER-FREE SOLUTIONS FOR
OUTDOOR AREAS

ERLAU® CARELINE



BARRIER-FREE TABLE-BENCH
COMBINATIONS POSSIBLE



**FAST TRACK
PROGRAMM**



CARELINE BENCHES

P. 38 - 43



CARELINE SEATING GROUPS

P. 45



CARELINE SUN LOUNGERS

P. 46



CARELINE CHAIRS AND TABLES

P. 47



EASY ACCESS

CHARISMA HARMONY CARE

Flexible and timeless.

A reliable partner in all situations.

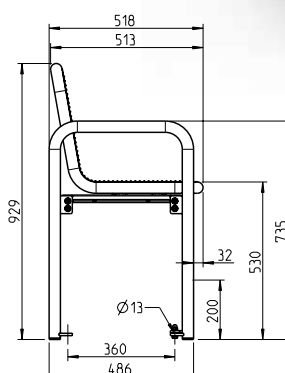
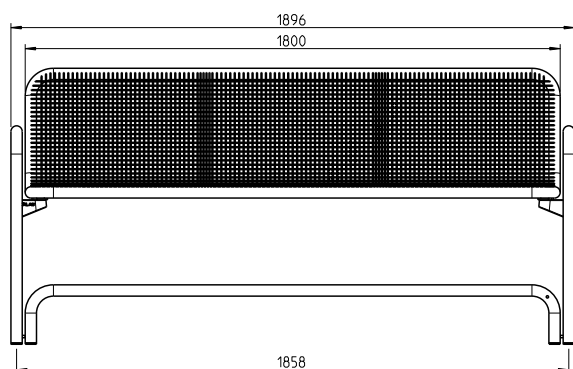
- Easier standing up, even for physically impaired persons, thanks to raised seat surface to 530 mm
- Feet can be placed comfortably on the foot rail
- All seat and back surfaces with wire mesh and round tube, diameter 38 mm
- Grid 15 x 15 mm, wire thickness 3.3 mm
- Grid compressions for seat places and stabilisation
- Curved round tube leg, diameter 38 mm, also serves as armrest
- The seating is vortex-sintered with polyamide Rilsan, coating thickness min. 350 µm
- Footrest tube fully hot-dip galvanised • Adaptation set to connect the seat and leg sections

Matching tables

From page 118

Matching waste containers:

From page 142



CHARISA HARMONY CARE WITH BACKREST, MOBILE

Designation	Article no.
3-seater	54629..*



Flexible and timeless.

A reliable partner in all situations.

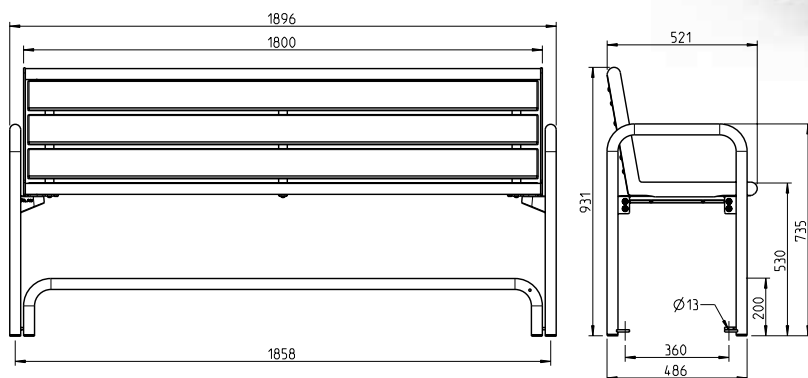
- Easier standing up, even for physically impaired persons, thanks to raised seat surface to 530 mm
- Feet can be placed comfortably on the foot rail
- Frame made of laser-cut mouldings and round tube diameter 38 mm
- Use of different materials to choose from
- Curved round tube leg, diameter 38 mm, also serves as armrest
- The frame and legs are hot-dip galvanised and powder-coated on the stationary design
- Footrest tube fully hot-dip galvanised
- Adaptation set to connect the seat and leg sections

Matching tables

From page 118

Matching waste containers:

From page 142



CHARISMA STYLE CARE WITH BACKREST, 3-SEATER, MOBILE

Designation	Article no.
Wire mesh	54630..*
Dark bamboo	54631..*
Bamboo Savanna	54740..*
Recycled plastic	54633..*
Pagwood	54634..*
Accoya	54635..*



EASY ACCESS

SIESTA HARMONY CARE

The bench. A classic in outdoor space design.

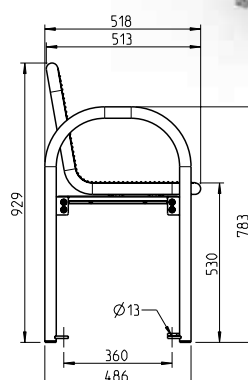
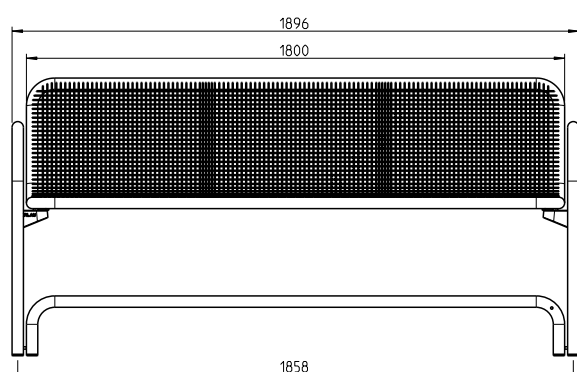
- Easier standing up, even for physically impaired persons, thanks to raised seat surface to 530 mm
- Feet can be placed comfortably on the foot rail
- All seat and back surfaces with wire mesh and round tube, diameter 38 mm
- Grid 15 x 15 mm, wire thickness 3.3 mm
- Grid compressions for seat places and stabilisation
- Curved round tube leg, diameter 38 mm, also serves as armrest
- The seating is surface vortex-sintered with polyamide Rilsan, coating thickness min. 350 µm
- Footrest tube fully hot-dip galvanised
- Adaptation set to connect the seat and leg sections

Matching tables

From page 118

Matching waste containers:

From page 142



SIESTA HARMONY CARE WITH BACKREST, MOBILE

Designation	Article no.
3-seater	54622..*



Quick delivery range: From stock



4-6 weeks

Choice of RAL colour on request



The bench. A classic in outdoor space design.

- Easier standing up, even for physically impaired persons, thanks to raised seat surface to 530 mm
- Feet can be placed comfortably on the foot rail
- Frame made of laser-cut mouldings and round tube, diameter 38 mm
- Use of different materials to choose from
- Curved round tube leg, diameter 38 mm, also serves as armrest
- The frame and legs are hot-dip galvanised and powder-coated on the stationary design
- Footrest tube fully hot-dip galvanised
- Adaptation set to connect the seat and leg sections

Matching tables

From page 118

Matching waste containers:

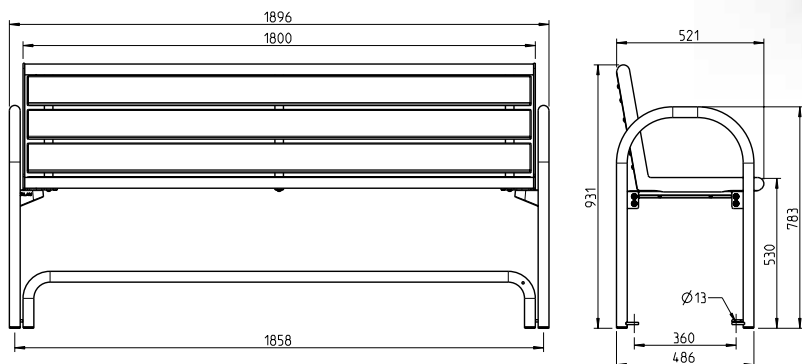
From page 142



DARK BAMBOO



WIRE MESH



SIESTA STYLE CARE WITH BACKREST, MOBILE, 3-SEATER	
Designation	Article no.
Wire mesh	54623..*
Dark bamboo	54624..*
Bamboo Savanna	54739..*
Recycled plastic	54626..*
Pagwood	54627..*
Accoya	54628..*

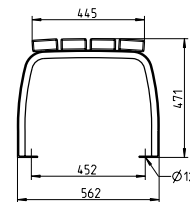
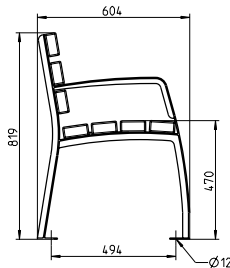
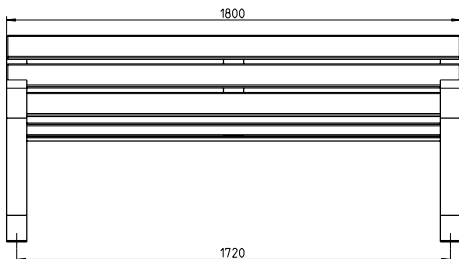


ERLAU® CityLine Verano

Bench, chair and seating group Verano.
Classic and versatile. Seating in all of its forms.

- Mobile with drilled hole for fixing
- Laser-cut mouldings
- Metal parts hot-dip galvanised and powder-coated
- Seat and backrest with iroko (FSC certified) or robinia planks
- Bench dimensions (W x D x H): 1,800 x 604 x 819 mm
- Bench dimensions without backrest (W x D x H): 1,800 x 562 x 471 mm
- Chair dimensions (W x D x H): 710 x 604 x 819 mm
- Dimensions of seating group (W x D x H): 2,000 x 604 x 819 mm


Matching waste containers:
 From page 142

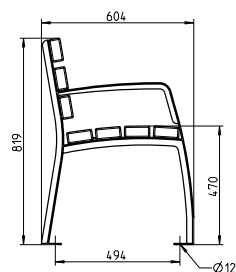
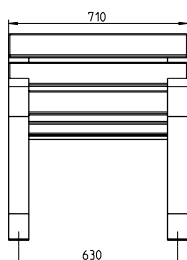
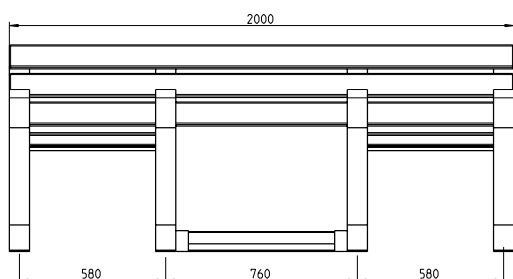


BENCH VERANO			
Designation	with backrest		without backrest
	Article no.		
Bench Verano with iroko	54564..*		54565..*

Execution on request also possible in robinia.



 PARKING FACILITIES FOR WALKING AIDS



CHAIR AND SEATING GROUP VERANO

Designation	Mobile	
	Article no.	
Chair Verano iroko	54566..*	
Seating group Verano iroko	54567..*	

Execution on request also possible in robinia.



EASY ACCESS

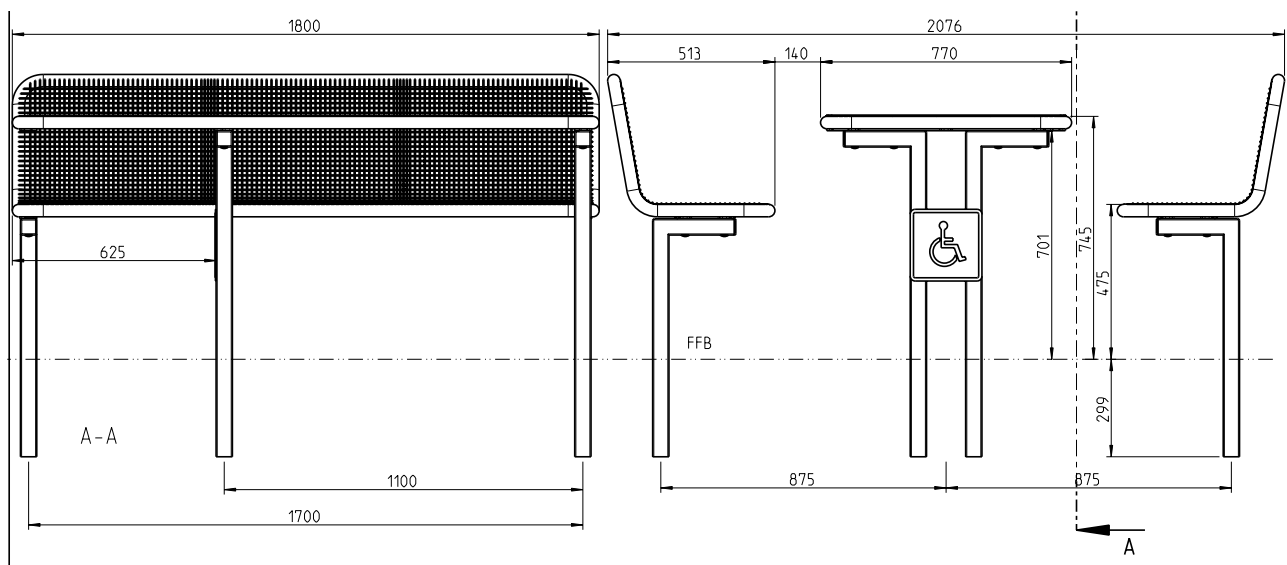
BARRIER-FREE SEATING GROUPS

A seating group. One everybody can use.

- Offers 6 seats and one wheelchair space
- Wheelchair-accessible
- Seat and backrest with full wire mesh surface with round tubes, diameter 38 mm
- Grid 15 x 15 mm, wire thickness 3.3 mm
- More compact grid for seat separation and added stabilisation
- L-shaped square legs, 50x50 mm, completely hot-dip galvanised
- Seat surface vortex-sintered with Rilsan polyamide, min. coating thickness 350 µm



Matching waste containers:
Starting on page 142



SIENA HARMONY WITH BACKREST, FIXED, BARRIER-FREE

Designation	Item no.
Siena Harmony seating group with backrest, fixed, barrier-free	

WE OFFER YOU CUSTOMISED SOLUTIONS.
DON'T HESITATE TO CONTACT US!



SIENA SEATING GROUP



PRIMAVERA SEATING GROUP


OPEN SPACE
USABLE
FOR BABY
CARRIAGES,
WHEELCHAIRS
OR WALKERS



CHARISMA BENCH & TABULA TABLE



SIENA SEATING GROUP



CARELINE LOUNGERS

CARELINE loungers for every need.

- Textile covering made of air- and water-permeable fabric
- Sturdy steel or aluminium tube construction with a pleasant feel
- Raised lying height
- Tiltable or with adjustable backrest

BERMUDA tilting sun lounger

- Round steel tube
- Seating height 45 cm
- Width 64 cm



FLORIDA tilting sun lounger



FLORIDA tilting sun lounger

FLORIDA tilting sun lounger

- Aluminium oval tube
- Seating height 45 cm
- Width 67 cm

FLORIDA PLUS stackable flat sun lounger

- Aluminium oval tube
- Seating height 50 cm
- Width 73 cm



FLORIDA PLUS flat sun lounger



BRAZIL PLUS stackable flat sun lounger with rollers

BRAZIL PLUS stackable flat sun lounger

- With wheels
- Aluminium square tube
- Seating height 50 cm
- Width 73 cm

IBIZA PLUS stackable flat sun lounger

- Aluminium square and flat tube
- Seating height 50 cm
- Width 75 cm



BERMUDA tilting sun lounger



IBIZA PLUS stackable flat sun lounger

CARELINE LOUNGERS		
Designation	Colour	
BERMUDA tilting sun lounger	Silver frame / Dark Grey covering	
FLORIDA tilting sun lounger	Wine Red frame / Dark Grey covering	
FLORIDA PLUS flat sun lounger	Silver frame / Dark Grey covering	
BRAZIL PLUS flat sun lounger	Silver frame / Dark Grey covering	
IBIZA PLUS flat sun lounger	Silver frame / Dark Grey covering	



EASY ACCESS

CARELINE

CARELINE SEATING GROUP

The CARELINE seating group. The seats with extra comfort.

- Seat and backrest made of air- and water-permeable textile fabric with knee roll
- Light but sturdy aluminium chair construction with a pleasant feel
- Raised 45 cm seat height
- Stackable chair
- Wheelchair-accessible steel table
- teco.STAR tabletop, hard-wearing, durable and easy to clean



Lugano without armrests

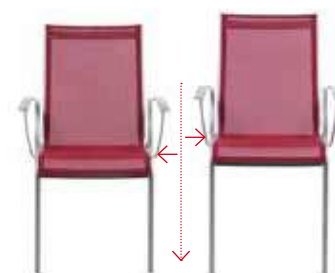


Lugano with armrests



Monza Plus

CARELINE SEATING GROUP	
Designation	Colour
LUGANO Plus without armrests	Silver frame / Yellow covering
LUGANO Plus with armrests	Silver frame / Orange covering
MONZA Plus stacking chair	Wine Red frame / Dark Grey covering
MILANO table 80x80	Silver frame / Stone tabletop
MILANO table 90x90	Silver frame / Stone tabletop
MILANO table 160x90	Silver frame / Stone tabletop

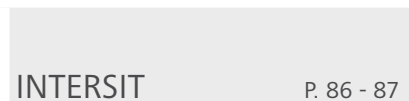
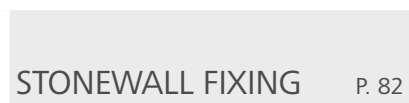
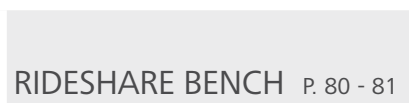
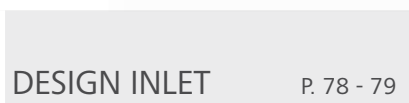
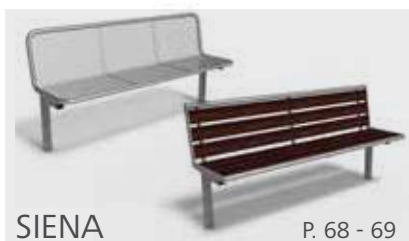
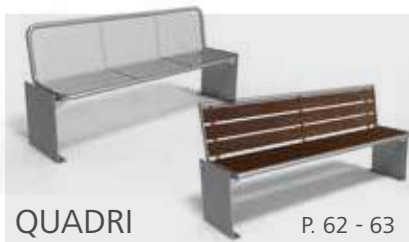




ERLAU® BENCHES




FAST-DELIVERY
PROGRAMM





SOLARIS BENCH

Comfort meets Design. With its stylishly contoured seat and enticing comfort, our Solaris bench invites passers-by to linger.

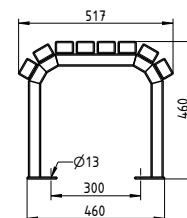
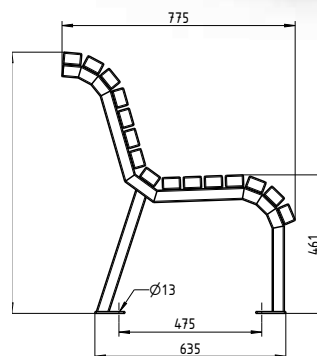
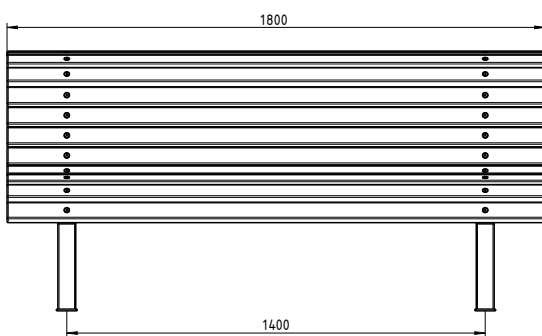
- Curved seat made from 15 slats (or 8 slats without backrest) 60 x 40 mm. Slats screwed together with countersunk screws
- Fixed version including fixing holes
- Tube metal legs, 60 x 40 mm, colour: RAL 7016 Anthracite Grey
- Dimensions with backrest (W x L x H): 1,800 x 744 x 869 mm
- Dimensions without backrest (W x L x H): 1,800 x 517 x 460 mm

Matching Solaris table:
Starting on page 124

Matching Solaris chair:
Starting on page 122

Matching Solaris stool:
Starting on page 123

Matching Solaris sun lounger:
Starting on page 182



SOLARIS BENCH

Designation	Without backrest		With backrest	
	Item no.		Item no.	
Savanna Bamboo	5478839		5478739	
Dark Bamboo	5478339		5478239	

Unassembled: Slats included



**SOLARIS BENCH WITH-
OUT BACKREST**
Savanna Bamboo
Page 50

SOLARIS TABLE
Savanna Bamboo
Page 124

**SOLARIS BENCH WITH
BACKREST**
Savanna Bamboo
Page 50



SIESTA HARMONY

The bench. A classic in outdoor space design.

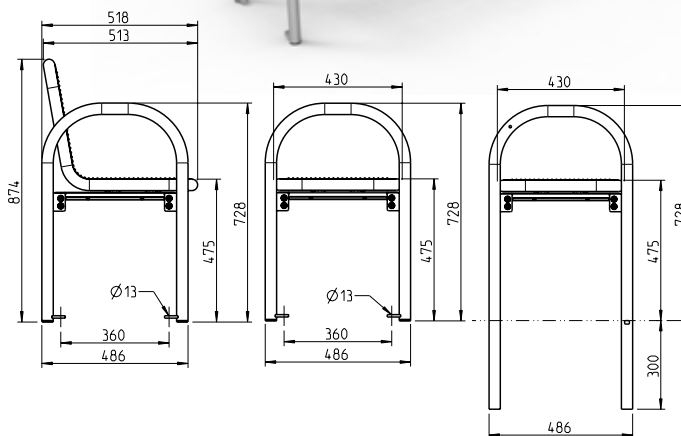
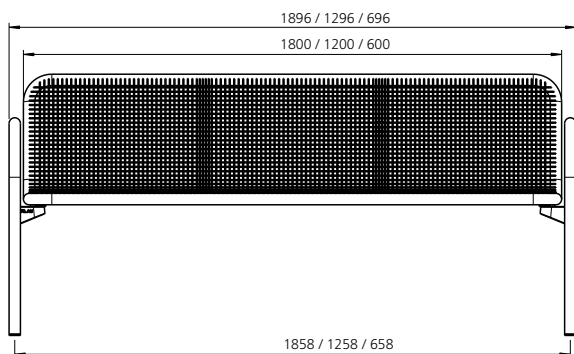
- All seat and back surfaces with wire mesh and round tube, diameter 38 mm
- Grid 15 x 15 mm, wire thickness 3.3 mm
- Grid compressions for seat places and stabilisation
- Curved round tube leg, diameter 38 mm, also serves as armrest
- The seating is vortex-sintered with polyamide Rilsan, coating thickness min. 350 µm
- The legs are hot-dip galvanised and powder-coated on the stationary design
- Adaptation set to connect the seat and leg sections

Matching tables

From page 118

Matching waste containers:

From page 142



SIESTA HARMONY WITH BACKREST				
Designation	Mobile		Stationary	
	Article no.		Article no.	
3-seater	54111..*		54114..*	
2-seater	54260..*		54113..*	
1-seater	54261..*		54374..*	

SIESTA HARMONY WITHOUT BACKREST				
Designation	Mobile		Stationary	
	Article no.		Article no.	
3-seater	54112..*		54115..*	
2-seater	54375..*		54376..*	
1-seater	54377..*		54378..*	





SIESTA STYLE

The bench. A classic in outdoor space design.

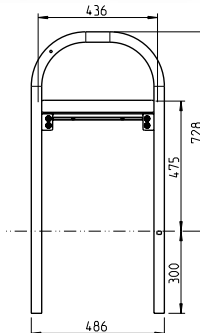
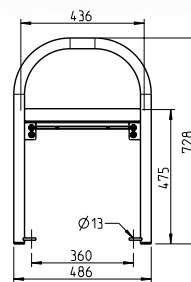
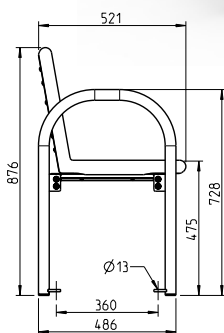
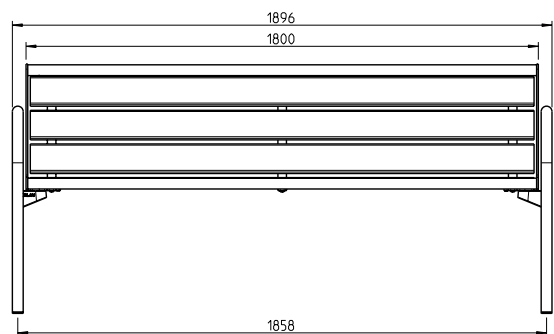
- Frame made of laser-cut mouldings and round tube, diameter 38 mm
- Use of different materials to choose from
- Curved round tube leg, diameter 38 mm, also serves as armrest
- The frame and legs are hot-dip galvanised and powder-coated on the stationary design
- Adaptation set to connect the seat and leg sections

Matching tables

From page 118

Matching waste containers:

From page 142



Designation	SIESTA STYLE WITH BACKREST, 3-SEATER	
	Mobile	Stationary
	Article no.	Article no.
Wire mesh	54116..*	54379..*
Dark bamboo	54259..*	54380..*
Bamboo Savanna	54703..*	54723..*
Recycled plastic	54117..*	54382..*
Pagwood	54118..*	54383..*
Accoya	54385..*	54384..*

Designation	SIESTA STYLE WITHOUT BACKREST, 3-SEATER		
	Mobile	Stationary	
	Article no.	Article no.	Price / €
Wire mesh	54386..*	54392..*	
Dark bamboo	54387..*	54393..*	
Bamboo Savanna	54724..*	54725..*	
Recycled plastic	54389..*	54395..*	
Pagwood	54390..*	54396..*	
Accoya	54391..*	54397..*	



Quick delivery range: From stock



4-6 weeks

Choice of RAL colour on request



STELLA HARMONY

**Playful yet down-to-earth.
Always putting on a good show.**

- All seat and back surfaces with wire mesh and round tube, diameter 38 mm
- Grid 15 x 15 mm, wire thickness 3.3 mm
- Grid compressions for seat places and stabilisation
- Leg made from laser-cut moulding, angled and curved design, also serves as armrest
- The seating is Vortex-sintered with polyamide Rilsan, coating thickness min. 350 µm
- Adaptation set to connect the seat and leg sections
- Hot-dip galvanised and powder-coated leg

Matching tables

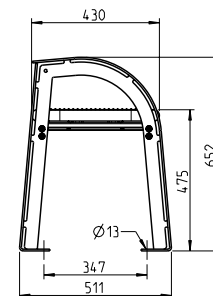
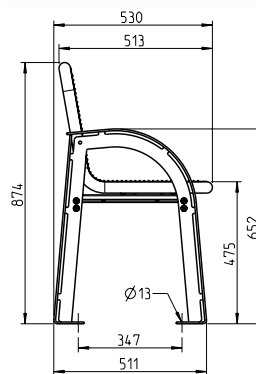
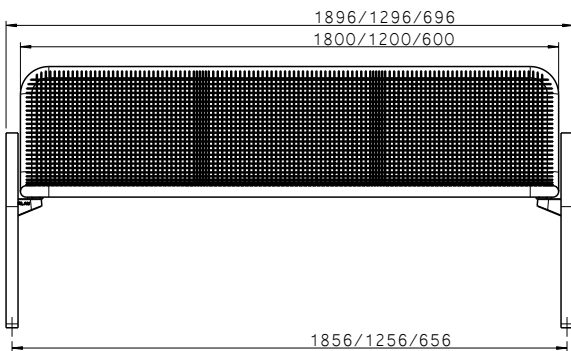
From page 118

Matching waste containers:

From page 142

Ground anchor set:

Article no.: 5006938



STELLA HARMONY				
Designation	without backrest		with backrest	
	Article no.		Article no.	
3-seater	54400..*		54127..*	
2-seater	54401..*		54398..*	
1-seater	54402..*		54399..*	



Quick delivery range: From stock



4-6 weeks

Choice of RAL colour on request



STELLA STYLE

**Playful yet down-to-earth.
Always putting on a good show.**

- Frame made of laser-cut mouldings and round tube, diameter 38 mm
- Use of different materials to choose from
- Leg made from laser-cut moulding, angled and curved design, also serves as armrest
- The frame and legs are hot-dip galvanised and powder-coated on the stationary design
- Adaptation set to connect the seat and leg sections

Matching tables
From page 118

Matching waste containers:
From page 142

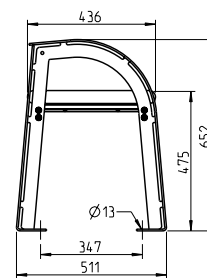
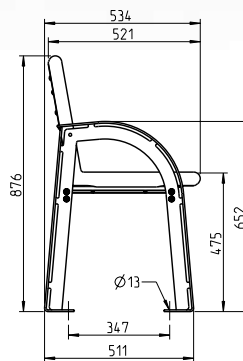
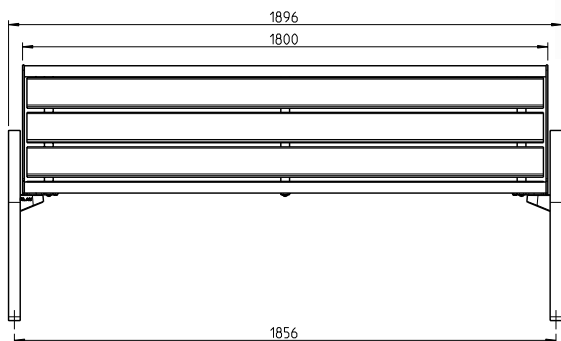
Ground anchor set:
Article no.: 5006938



ACCOYA



PAGWOOD



STELLA STYLE, 3-SEATER				
Designation	without backrest		with backrest	
	Article no.		Article no.	
Wire mesh	54407..*		54128..*	
Dark bamboo	54408..*		54403..*	
Bamboo Savanna	54727..*		54726..*	
Recycled plastic	54410..*		54405..*	
Pagwood	54411..*		54129..*	
Accoya	54412..*		54406..*	



Quick delivery range: From stock



4-6 weeks

Choice of RAL colour on request



CHARISMA HARMONY

Flexible and timeless.

A reliable partner in all situations.

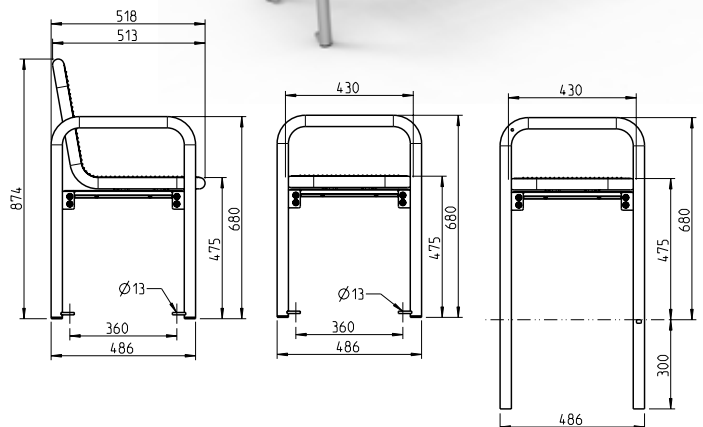
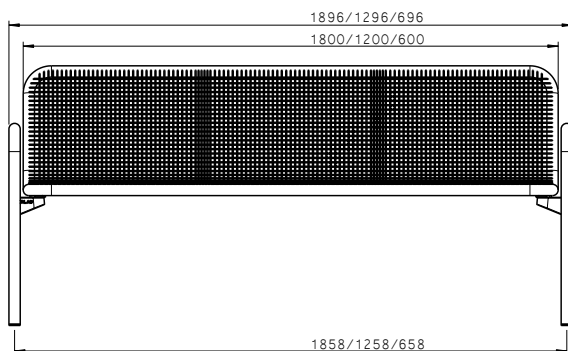
- All seat and back surfaces with wire mesh and round tube, diameter 38 mm
- Grid 15 x 15 mm, wire thickness 3.3 mm
- Grid compressions for seat places and stabilisation
- Curved round tube leg, diameter 38 mm, also serves as armrest
- The seating is vortex-sintered with polyamide Rilsan, coating thickness min. 350 µm
- The legs are hot-dip galvanised and powder-coated on the stationary design
- Adaptation set to connect the seat and leg sections

Matching tables

From page 118

Matching waste containers:

From page 142



CHARISMA HARMONY WITH BACKREST				
Designation	Mobile		Stationary	
	Article no.		Article no.	
3-seater	54120..*		54413..*	
2-seater	54414..*		54415..*	
1-seater	54416..*		54417..*	

CHARISMA HARMONY WITHOUT BACKREST				
Designation	Mobile		Stationary	
	Article no.		Article no.	
3-seater	54418..*		54419..*	
2-seater	54420..*		54421..*	
1-seater	54422..*		54423..*	





CHARISMA STYLE

**Flexible and timeless.
A reliable partner in all situations.**

- Frame made of laser-cut mouldings and round tube, diameter 38 mm
- Use of different materials to choose from
- Curved round tube leg, diameter 38 mm, also serves as armrest
- The frame and legs are hot-dip galvanised and powder-coated on the stationary design
- Adaptation set to connect the seat and leg sections

Matching tables
From page 118

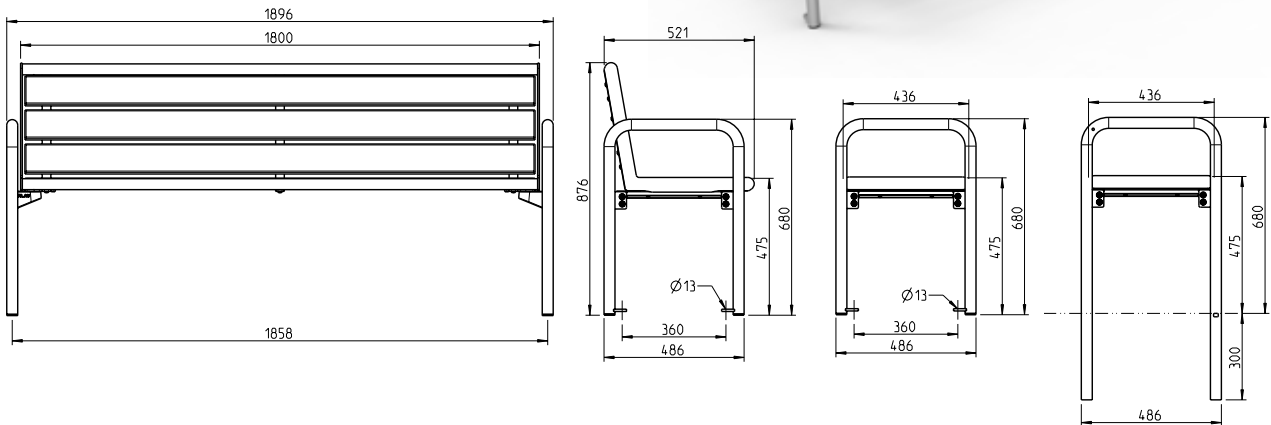
Matching waste containers:
From page 142



DARK BAMBOO



WIRE MESH



Designation	CHARISMA STYLE WITH BACKREST, 3-SEATER	
	Mobile	Stationary
Wire mesh	54121..*	54424..*
Dark bamboo	54126..*	54425..*
Bamboo Savanna	54704..*	54728..*
Recycled plastic	54123..*	54427..*
Pagwood	54124..*	54428..*
Accoya	54430..*	54429..*

Designation	CHARISMA STYLE WITHOUT BACKREST, 3-SEATER	
	Mobile	Stationary
Wire mesh	54498..*	54431..*
Dark bamboo	54533..*	54432..*
Bamboo Savanna	54738..*	54729..*
Recycled plastic	54535..*	54434..*
Pagwood	54536..*	54435..*
Accoya	54537..*	54436..*



PIAZZA PLUS HARMONY

The defining design convinces with consistent lines as a perfect symbiosis of form and function.

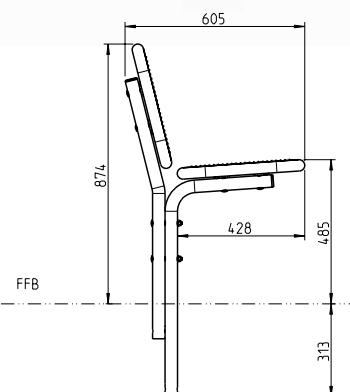
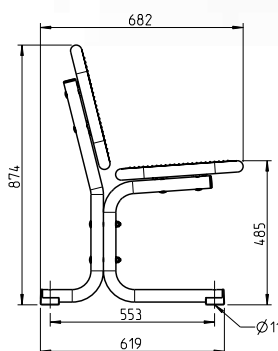
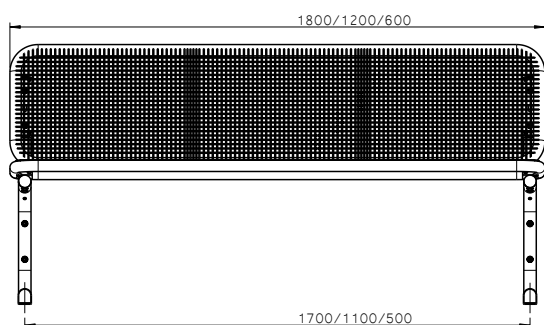
- Seat or back section made of wire mesh and round tube, diameter 38 mm
- Grid 15 x 15 mm, wire thickness 3.3 mm
- Grid compressions for seat places and stabilisation
- The seating is Vortex-sintered with polyamide Rilsan, coating thickness min. 350 µm
- Curved tube leg, diameter 42 mm
- Hot-dip galvanised and powder-coated leg

Matching table Tabula Harmony

On page 132

Matching waste containers:

From page 142



PIAZZA PLUS HARMONY WITH BACKREST

Designation	Mobile		Stationary	
	Article no.		Article no.	
3-seater	54144..*		54142..*	
2-seater	54143..*		54141..*	
1-seater	-		-	



Quick delivery range: From stock



4-6 weeks

Choice of RAL colour on request



PIAZZA PLUS STYLE

The defining design convinces with consistent lines as a perfect symbiosis of form and function.

- Frame made of laser-cut mouldings and round tube, diameter 38 mm
- Use of different materials to choose from
- The frame and legs are hot-dip galvanised and powder-coated on the stationary design
- Curved tube leg, diameter 42 mm

Matching table Tabula Style

On page 133

Matching waste containers:

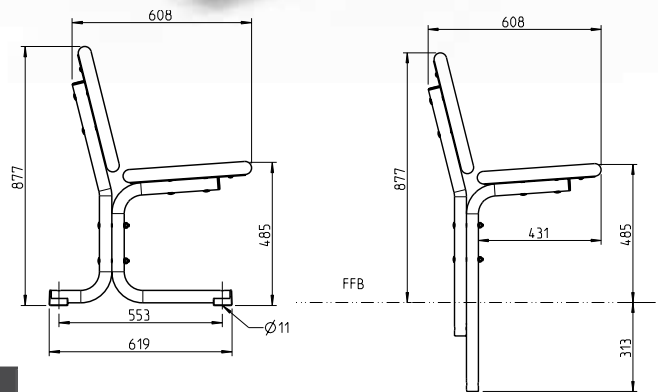
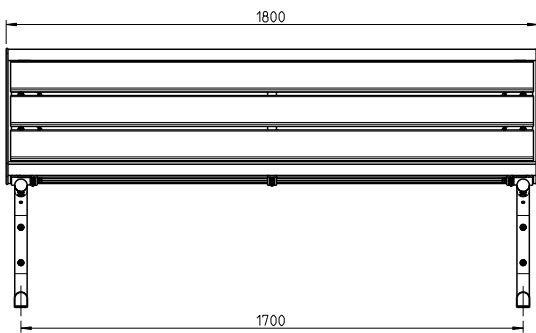
From page 142



ACCOYA



WIRE MESH



PIAZZA PLUS STYLE WITH BACKREST, 3-SEATER

Designation	Mobile		Stationary	
	Article no.		Article no.	
Wire mesh	54437..*		54145..*	
Dark bamboo	54438..*		54442..*	
Bamboo Savanna	54730..*		54731..*	
Recycled plastic	54670..*		54146..*	
Pagwood	54440..*		54444..*	
Accoya	54441..*		54445..*	



TABLE BENCH **ACCESSIBLE**
COMBINATIONS ARE POSSIBLE

PRIMAVERA HARMONY

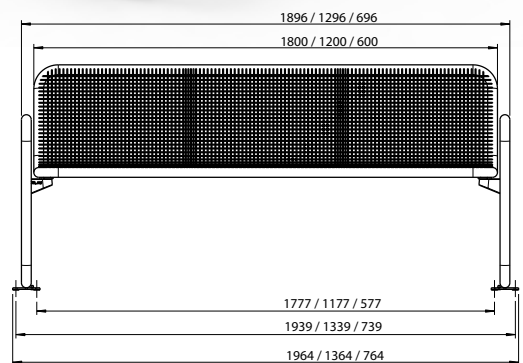
Light and friendly. Blends in harmoniously with its surroundings and always cuts a good figure.

- All seat and back surfaces with wire mesh and round tube, diameter 38 mm
- Grid 15 x 15 mm, wire thickness 3.3 mm
- Grid compressions for seat places and stabilisation
- Leg with armrest or without armrest, mobile with fastening fixing tabs (must be anchored)
- The seating is vortex-sintered with polyamide Rilsan, coating thickness min. 350 µm
- Adaptation set to connect the seat and leg sections

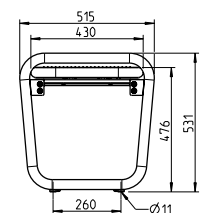
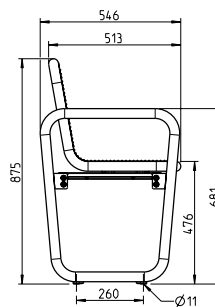
Matching table Primavera Maxi Harmony
On page 138

Matching waste containers:
From page 142

Ground anchor set:
Article no.: 5006938



PRIMAVERA HARMONY				
Designation	without backrest		with backrest	
	Article no.		Article no.	
3-seater with armrest	54469..*		54468..*	
3-seater without armrest	54133..*		54132..*	
2-seater with armrest	-		-	
2-seater without armrest	-		-	
1-seater with armrest	-		-	
1-seater without armrest	-		-	





PRIMAVERA STYLE

Light and friendly. Blends in harmoniously with its surroundings and always cuts a good figure.

- Frame made of laser-cut mouldings and round tube, diameter 38 mm
- Use of different materials to choose from
- Leg with armrest or without armrest, mobile with fixing tabs (must be anchored)
- The frame and legs are hot-dip galvanised and powder-coated on the stationary design
- Adaptation set to connect the seat and leg sections

Matching table Primavera Maxi Style
On page 139

Matching waste containers:
From page 142

Ground anchor set:
Article no.: 5006938



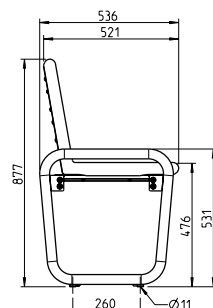
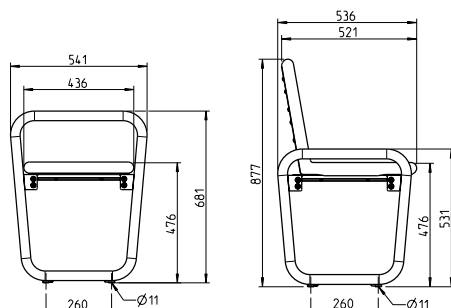
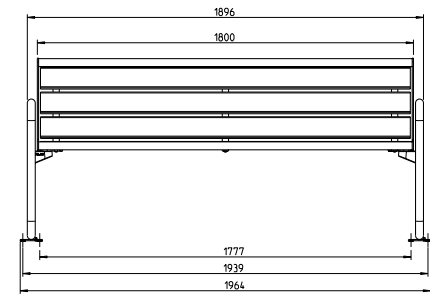
PAGWOOD



BAMBOO SAVANNA

PRIMAVERA STYLE, 3-SEATER

Designation	without backrest		with backrest	
	Article no.		Article no.	
Wire mesh with armrest	54479..*		54470..*	
Wire mesh without armrest	54485..*		54474..*	
Dark bamboo with armrest	54480..*		54471..*	
Dark bamboo without armrest	54486..*		54475..*	
Bamboo Savanna with armrest	54734..*		54718..*	
Bamboo Savanna without armrest	54719..*		54717..*	
Recycled plastic with armrest	54482..*		54472..*	
Recycled plastic without armrest	54487..*		54476..*	
Pagwood with armrest	54483..*		54134..*	
Pagwood without armrest	54488..*		54477..*	
Accoya with armrest	54484..*		54473..*	
Accoya without armrest	54489..*		54478..*	





QUADRI HARMONY

Strong and streamlined. A bench with an elegance that captivates with its functionality and simplicity.

- All seat and back surfaces with wire mesh and round tube, diameter 38 mm
- Grid 15 x 15 mm, wire thickness 3.3 mm
- Grid compressions for seat places and stabilisation
- The seating is vortex-sintered with polyamide Rilsan, coating thickness min. 350 µm
- Leg made from laser-cut moulding, angled and square design
- Mobile, drilled
- Fully hot-dip galvanised and powder-coated leg
- Adaptation set to connect the seat and leg sections
- Optional ground anchor set

Matching table Quadri Maxi Harmony

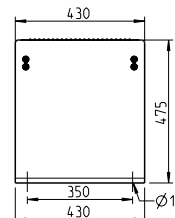
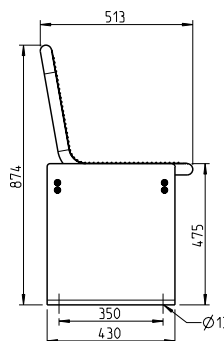
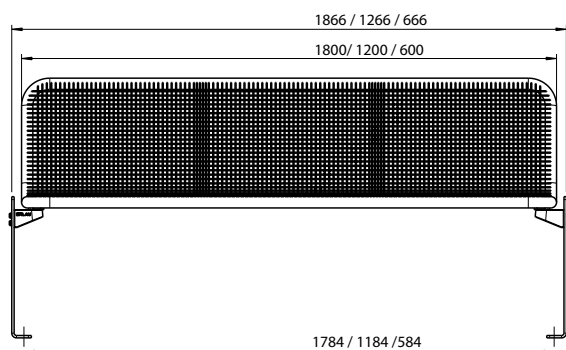
On page 136

Matching waste containers:

From page 142

Ground anchor set:

Article no.: 5006938



QUADRI HARMONY				
Designation	without backrest		with backrest	
	Article no.		Article no.	
3-seater	54491..*		54490..*	
2-seater	-		-	
1-seater	-		-	



Quick delivery range: From stock



4-6 weeks

Choice of RAL colour on request



QUADRI STYLE

Strong and streamlined. A bench with an elegance that captivates with its functionality and simplicity.

- Frame made of laser-cut mouldings and round tube, diameter 38 mm
- Use of different materials to choose from
- The frame and legs are hot-dip galvanised and powder-coated on the stationary design
- Leg made from laser-cut moulding, angled and square design
- Mobile, drilled
- Optional ground anchor set

Matching table Quadri Maxi Style

On page 137

Matching waste containers:

From page 142

Ground anchor set:

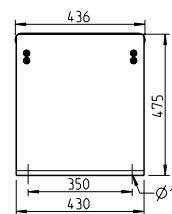
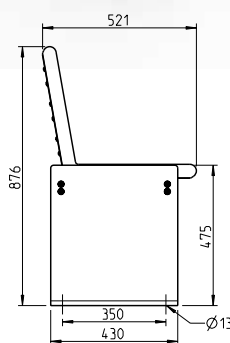
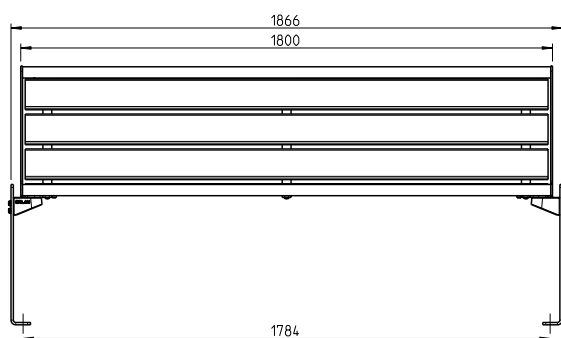
Article no.: 5006938



DARK BAMBOO



WIRE MESH



QUADRI STYLE, 3-SEATER				
Designation	without backrest		with backrest	
	Article no.		Article no.	
Wire mesh	54138..*		54492..*	
Dark bamboo	54140..*		54493..*	
Bamboo Savanna	54721..*		54735..*	
Recycled plastic	54139..*		54495..*	
Pagwood	54499..*		54496..*	
Accoya	54500..*		54497..*	



GLORIA HARMONY

Solid and striking.
The architectural design makes this bench an eye-catcher wherever it may be.

- All seat and back surfaces with wire mesh and round tube, diameter 38 mm
- Grid 15 x 15 mm, wire thickness 3.3 mm
- Grid compressions for seat places and stabilisation
- The seating is vortex-sintered with polyamide Rilsan, coating thickness min. 350 µm
- Leg made of exposed concrete, smooth and untreated.
- Adaptation set to connect the seat and leg sections
- With optional ground fixing set



Matching tables

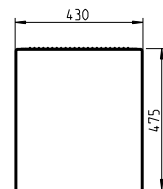
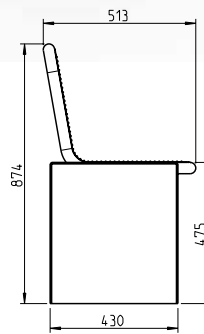
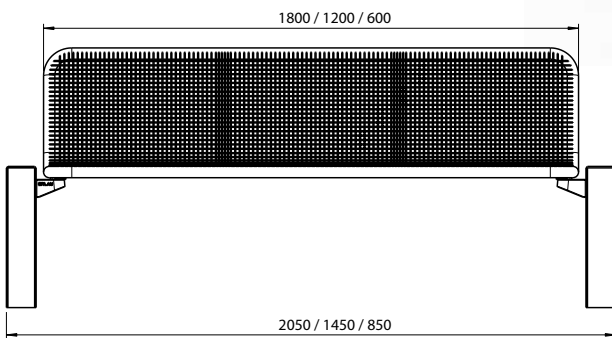
From page 118

Matching waste containers:

From page 142

Ground fixing set:

Article no.: 5007409



GLORIA HARMONY				
Designation	without backrest		with backrest	
	Article no.		Article no.	
3-seater	54109..*		54104..*	
2-seater	-		-	
1-seater	-		-	



Quick delivery range: From stock



4-6 weeks

Choice of RAL colour on request



GLORIA STYLE

Solid and striking.

The architectural design makes this bench an eye-catcher wherever it may be.

- Frame made of laser-cut mouldings and round tube, diameter 38 mm
- Use of different materials to choose from
- The frame is hot-dip galvanised and powder-coated on the stationary design
- Leg made of exposed concrete, smooth and untreated.
- Adaptation set to connect the seat and leg sections
- With optional ground fixing set

Matching tables

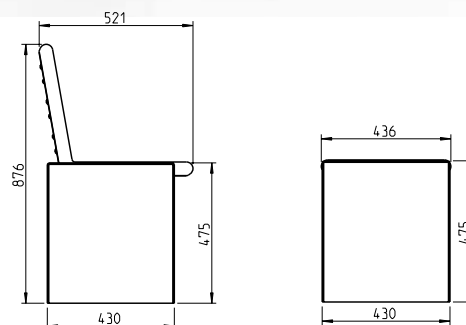
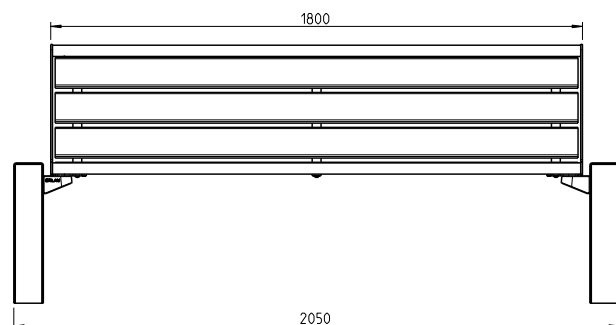
From page 118

Matching waste containers:

From page 142

Ground fixing set:

Article no.: 5007409



GLORI STYLE, 3-SEATER				
Designation	without backrest		with backrest	
	Article no.		Article no.	
Wire mesh	54110..*		54105..*	
Dark bamboo	54503..*		54501..*	
Bamboo Savanna	54736..*		54702..*	
Recycled plastic	54505..*		54106..*	
Pagwood	54506..*		54107..*	
Accoya	54507..*		54502..*	



Quick delivery range: From stock



4-6 weeks

Choice of RAL colour on request



STRADA HARMONY

The squareness of seating. The clash of shapes makes the bench a modern classic.

- All seat and back surfaces with wire mesh and round tube, diameter 38 mm
- Grid 15 x 15 mm, wire thickness 3.3 mm
- Grid compressions for seat places and stabilisation
- The seating is Vortex-sintered with polyamide Rilsan, coating thickness min. 350 µm
- Leg with armrest. Material: stainless steel, bead blasted, mobile with fixing tabs
- Adaptation set to connect the seat and leg sections

Matching tables

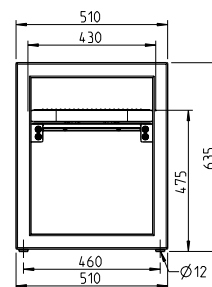
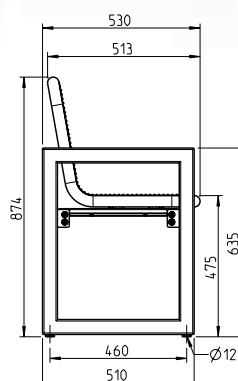
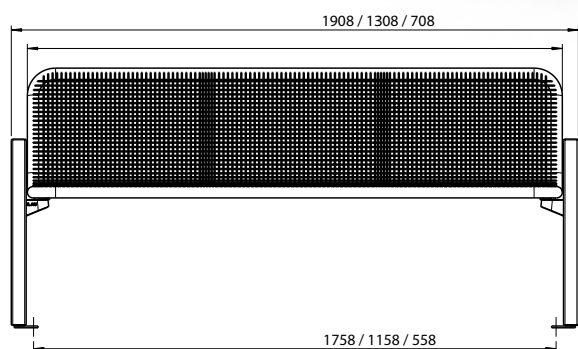
From page 118

Matching waste containers:

From page 142

Ground anchor set:

Article no.: 5006938



STRADA HARMONY

Designation	without backrest		with backrest	
	Article no.		Article no.	
3-seater	54523..*		54522..*	
2-seater	-		-	
1-seater	-		-	



Quick delivery range: From stock



4-6 weeks

Choice of RAL colour on request



STRADA STYLE

The squareness of seating. The clash of shapes makes the bench a modern classic.

- Frame made of laser-cut mouldings and round tube, diameter 38 mm
- Use of different materials to choose from
- The frame is hot-dip galvanised and powder-coated on the stationary design
- Leg with armrest. Material: stainless steel, bead blasted, mobile with fixing tabs
- Adaptation set to connect the seat and leg sections

Matching tables
From page 118

Matching waste containers:
From page 142

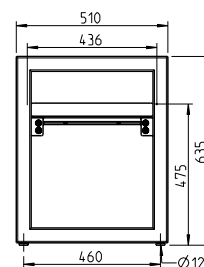
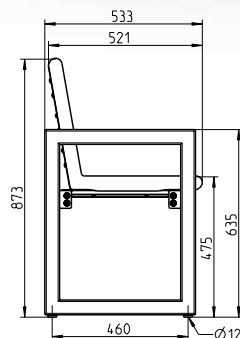
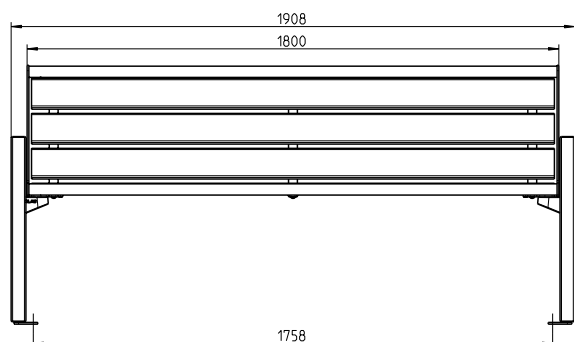
Ground anchor set:
Article no.: 5006938



PAGWOOD



WIRE MESH



STRADA STYLE, 3-SEATER				
Designation	without backrest		with backrest	
	Article no.		Article no.	
Wire mesh	54527..*		54257..*	
Dark bamboo	54528..*		54524..*	
Bamboo Savanna	54737..*		54705..*	
Recycled plastic	54530..*		54525..*	
Pagwood	54531..*		54130..*	
Accoya	54532..*		54526..*	



SIENA HARMONY

Comfortable, sturdy and robust.
Also suitable for harsher applications.

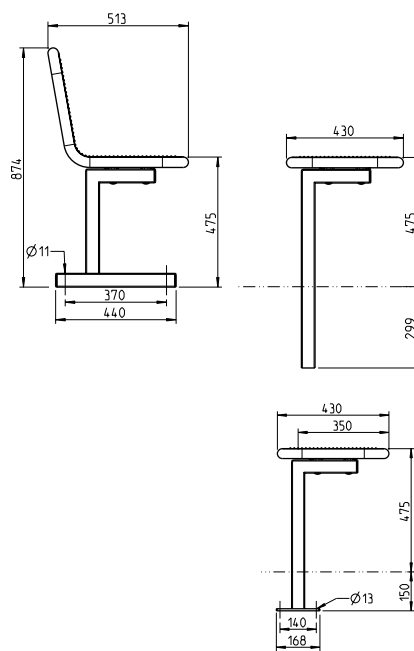
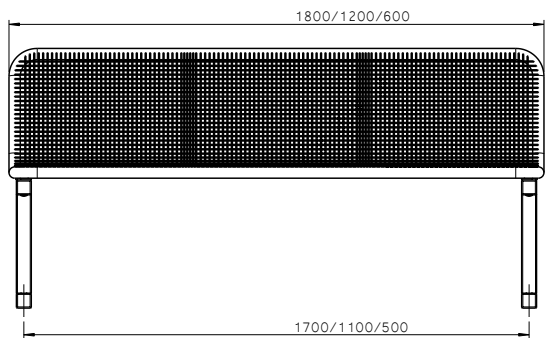
- All seat and back surfaces with wire mesh and round tube, diameter 38 mm
- Grid 15 x 15 mm, wire thickness 3.3 mm
- Grid compressions for seat places and stabilisation
- The seating is Vortex-sintered with polyamide Rilsan, coating thickness min. 350 µm
- L-shaped square leg 50x50, fully hot-dip galvanised

Matching table Siena Maxi Harmony

On page 134

Matching waste containers:

From page 142



SIENA HARMONY WITH BACKREST						
Designation	Mobile		Stationary		FP 150	
	Article no.		Article no.		Article no.	
3-seater	54446..*		54135..*		-	
2-seater	54447..*		54448..*		-	
1-seater	54449..*		54450..*		-	

SIENA HARMONY WITHOUT BACKREST						
Designation	Mobile		Stationary		FP 150	
	Article no.		Article no.		Article no.	
3-seater	54451..*		54136..*		-	
2-seater	54452..*		54453..*		-	
1-seater	54454..*		54455..*		-	



SIENA STYLE

Comfortable, sturdy and robust.
Also suitable for harsher applications.

- Frame made of laser-cut mouldings and round tube, diameter 38 mm
- Use of different materials to choose from
- The frame is hot-dip galvanised and powder-coated on the stationary design
- L-shaped square leg 50 x 50 mm, fully hot-dip galvanised

Matching table Siena Maxi Style

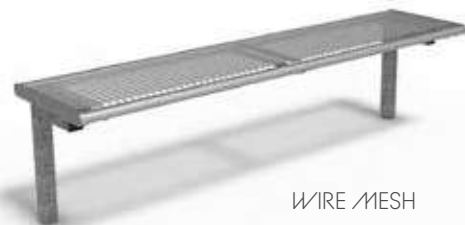
On page 135

Matching waste containers:

From page 142



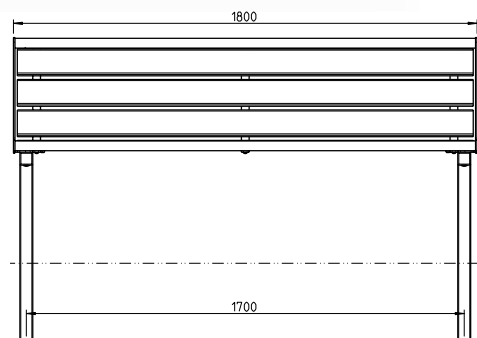
DARK BAMBOO



WIRE MESH

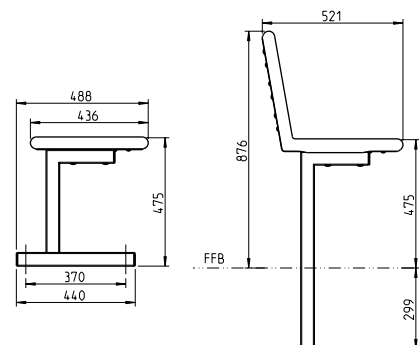
SIENA STYLE WITH BACKREST, 3-SEATER

Designation	Mobile		Stationary		FP 150	
	Article no.		Article no.		Article no.	
Wire mesh	54456..*		54462..*		-	
Dark bamboo	54457..*		54463..*		-	
Bamboo Savanna	54732..*		54733..*		-	
Recycled plastic	54459..*		54465..*		-	
Pagwood	54460..*		54466..*		-	
Accoya	54461..*		54467..*		-	



SIENA STYLE WITHOUT BACKREST, 3-SEATER

Designation	Mobile		Stationary		FP 150	
	Article no.		Article no.		Article no.	
Wire mesh	-		-		-	
Dark bamboo	-		-		-	
Bamboo Savanna	-		-		-	
Recycled plastic	-		-		-	
Pagwood	-		-		-	
Accoya	-		-		-	





REST SIENA METRO DIRECT PLANKING

Sitting down standing up is not a contradiction in terms. The slim silhouette allows space-saving comfort.

- Direct planking of the back surface available in various materials to choose from
- Square L-shaped leg 50 x 50 mm
- Height above finished floor level: 957 mm
- Fully hot-dip galvanised

Matching benches

On page 48

Matching waste containers

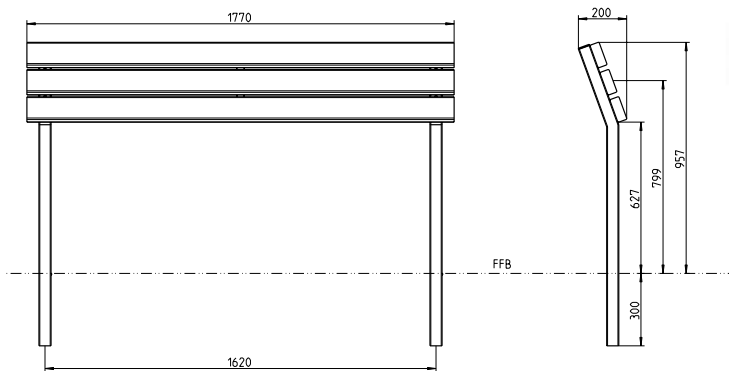
From page 142



RECYCLED PLASTIC



ACCOYA



SIENA METRO DIRECT PLANKING		
Designation	Stationary	
	Article no.	
Dark bamboo	-	
Bamboo Savanna	-	
Recyled plastic	-	
Pagwood	-	
Accoya	-	



Sitting down standing up is not a contradiction in terms. The slim silhouette allows space-saving comfort.

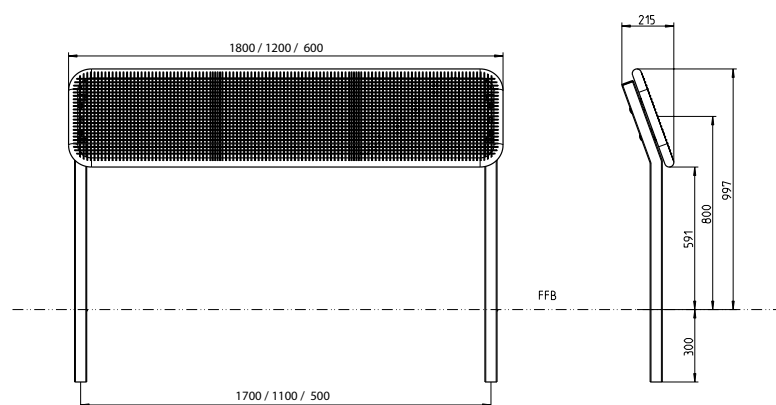
- Harmony back surface made of wire mesh and round tube, diameter 38 mm
- Grid 15 x 15 mm, wire thickness 3.5 mm.
- With two grid compressions for additional stabilisation
- Vortex-sintered in polyamide Rilsan, coating thickness min. 350 µm
- Square L-shaped leg 50 x 50 mm
- Height above finished floor level: 997 mm
- Fully hot-dip galvanised

Matching benches

On page 48

Matching waste containers

From page 142



SIENA METRO HARMONY		
Designation	Stationary	
	Article no.	
1,800 mm	-	
1,200 mm	-	
600 mm	-	



REST SIENA METRO STYLE

Rest Siena Metro Style

- Back surface Style made of laser-cut moulding and round tube, diameter 38 mm
- The frame is hot-dip galvanised and powder-coated on the stationary design
- Use of different materials to choose from
- Square L-shaped leg 50 x 50 mm
- Height above finished floor level: 997 mm
- The legs are fully hot-dip galvanised

Matching benches

On page 48

Matching waste containers

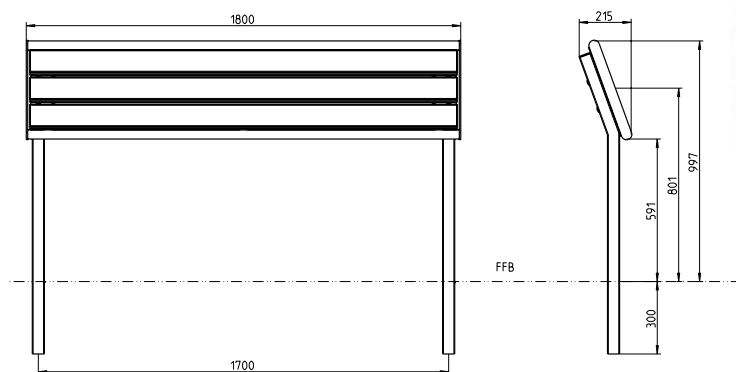
From page 142



DARK BAMBOO



WIRE MESH



SIENA METRO STYLE		
Designation	Stationary	
	Article no.	
Wire mesh	-	
Dark bamboo	-	
Bamboo Savanna	-	
Recycling	-	
Pagwood	-	
Accoya	-	



REST SIENA METRO STYLE
Bamboo Savanna / traffic yellow
Page 72



YOUTH BENCH ALTO

**Sitting down standing up is not a contradiction in terms.
The slim silhouette allows space-saving comfort.**

- Direct planking of the seat surface available in various materials to choose from
- Round tube leg: Diameter 60mm
- Stationary
- Leg fully hot-dip galvanised

Matching benches

On page 48

Matching waste containers

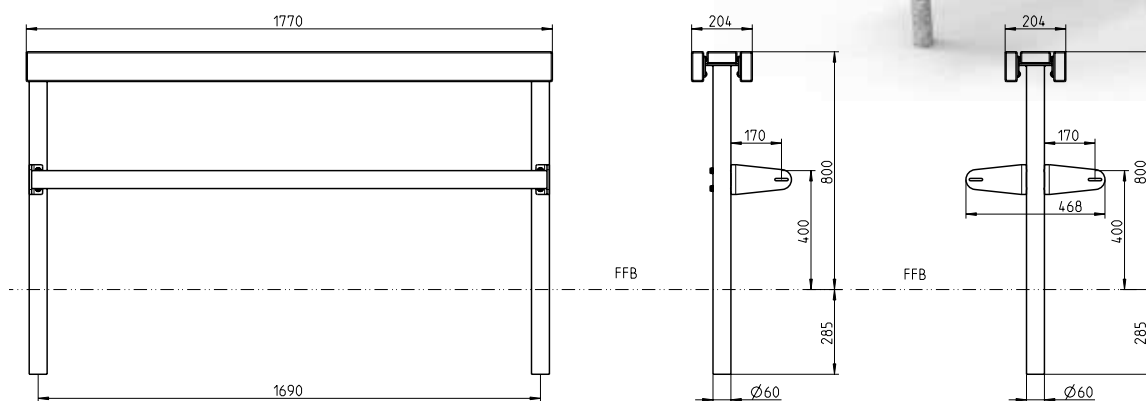
From page 142



ACCOYA



DARK BAMBOO



YOUTH BENCH ALTO, STATIONARY				
Designation	Single		Double	
	Article no.		Article no.	
Bamboo Savanna	5474117		5474217	
Dark bamboo	5463717		5464117	
Accoya	5463817		5464217	
Recycling	5463917		5464317	



YOUTH BENCH ALTO SINGLE
Accoya
Page 74



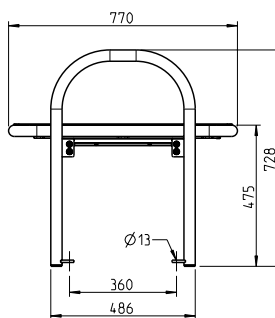
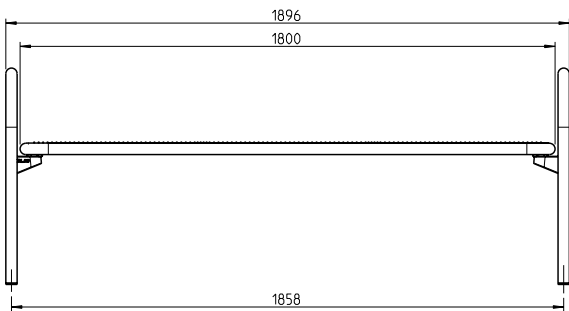
DOUBLE BENCH HARMONY

**Double the width for double the enjoyment.
When there's more going on.**

- Double seat surface made of wire mesh and round tube, diameter 38 mm
- Grid 15 x 15 mm, wire thickness 3.3 mm
- Grid compressions for seat places and stabilisation
- The seating is Vortex-sintered with polyamide Rilsan, coating thickness min. 350 µm
- Choice of any leg
- Has to be fixed

Matching waste containers:
From page 142

Ground anchor set:
Article no.: 5006938



DOUBLE SEAT BENCH HARMONY				
Designation	Mobile		Stationary	
	Article no.		Article no.	
Siesta Harmony	-		-	
Charisma Harmony	-		-	
Siena Harmony	-		-	
Quadri Harmony	-		-	





DOUBLE BENCH STYLE

Double the width for double the enjoyment. When there's more going on.

- Double seat frame made of laser-cut mouldings and round tube, diameter 38 mm
- The frame and legs are hot-dip galvanised and powder-coated on the stationary design
- Length: 1866 mm, width: 784 mm
- Use of different materials to choose from
- Choice of any leg
- Has to be fixed

Matching waste containers:
From page 142

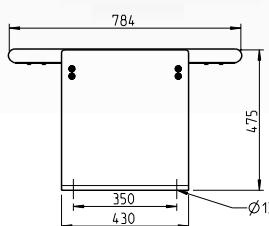
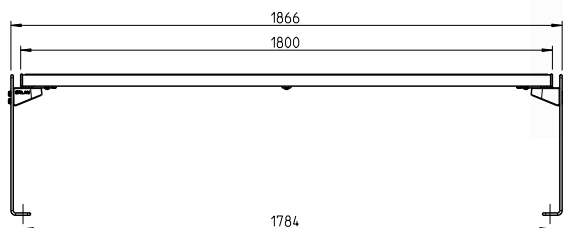
Ground anchor set:
Article no.: 5006938



ACCOYA



DARK BAMBOO



LEG VARIANTS:

Siesta Charisma Siena

Quadri

DOUBLE SEAT BENCH STYLE				
Designation	Mobile		Stationary	
	Article no.		Article no.	
Siesta Style	-		-	
Charisma Style	-		-	
Siena Style	-		-	
Quadri Style	-		-	



BACKREST DESIGN

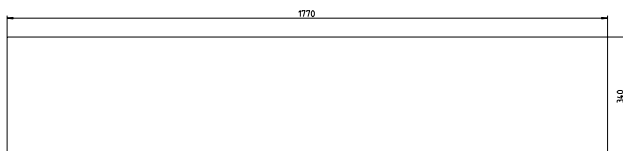
Customised backrest design. Your advertisement on your bench.

The slightly different way of approaching customers: Design your backrest with your logo, photographs, city maps,... There are no limits to your imagination. Insert with an individual motif print consisting of:

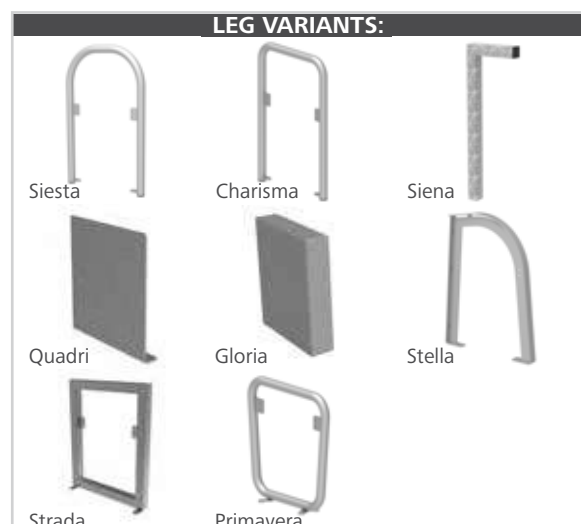
- Sandwich panel 1770x340 mm, front made of polycarbonate with digital print on the back, polycarbonate is characterised by high transparency, high heat resistance and very good impact strength
- Carrier plate made of phenolic resin-coated birch plywood, glued boil-proof and weatherproof, thickness 18 mm
- Phenolic resin film coating in a coating thickness of 120 g/m², colour similar to RAL 8022 (black-brown)
- Film surface resistant to abrasion, moisture, common chemicals, as well as diluted acids and alkalis
- Gluing meets the requirements of international standards: EN 314-2 / class 3 (exterior); DIN 68705-3 / BFU 100; BS 6566 part 8 / WBP
- Cutting edges sealed with boat varnish
- Any choice of leg and insert

Print data requirements:

Printable PDF (150-300 DPI), 1,772 x 342 mm.



CUSTOMISED BACKREST DESIGN		
Designation	Article no.	
Design inlet	5008061	







THE ERLAU BRAND RIDESHARE BENCH

The new Erlau rideshare bench is a duo consisting of a modular bench seat and a sign with sliding destination display.

You can order our rideshare bench set directly in our online shop.

u www.shop.erlau.com

RIDESHARE BENCH

Choose the destination. Get in. Arrive.

THE MOBILITY CONCEPT WITHOUT A CAR.

Especially in rural areas, the rideshare bench is a very important instrument to support and complement local public transport. Buses serve smaller towns and communities during school hours, but often not in the late morning, afternoon or evening.

THE RIDESHARE BENCH IS THE MOBILITY SOLUTION.

The waiting person marks their desired destination on the destination board of the rideshare bench. A passing car driver recognises the rideshare bench and the destination from a distance and can give the person waiting a lift if they are heading for the same destination. Rideshare benches protect the environment and boost the community spirit.

- ▶ **Choose your individual bench**
- ▶ **Backrest design possible**
- ▶ **Signs also individually available**
- ▶ **Movable destination display**
- ▶ **Between 1 and 6 destinations possible**
- ▶ **Available in the online shop**
- ▶ **Funding possible via the LEADER programme**

RIDESHARE STOP / SIGNPOST

Designation	Article no.	
Header sign	5008007	
Rideshare sign (up to max. 4 destinations)	5008008	
Rideshare sign (up to max. 6 destinations)	5008065	
Clip (4 x per signpost)	5008009	
Tube post	5008010	



RIDESHARE STOP SIGN

With movable destination display, up to 4 destinations (420 x 900 mm) or 5 to 6 destinations (600 x 900 mm), incl. print and hitch-hiker's thumb, rideshare stop header sign (600 x 600 mm).



MODULAR RIDESHARE BENCH.
 Choose your individual, preferred rideshare bench (from page 48).
 Your rideshare bench is also possible as an advertisement bench with customised design inlet (see page 78). Implemented here with a Stella Style seat bench (see page 55).



SET RIDESHARE BENCH AND SIGN.
 Realised with a Siesta Harmony made of wire mesh (left) and a Quadri Style, Bamboo Savanna (right), with backrest and rideshare stop sign.
Available at the online shop!

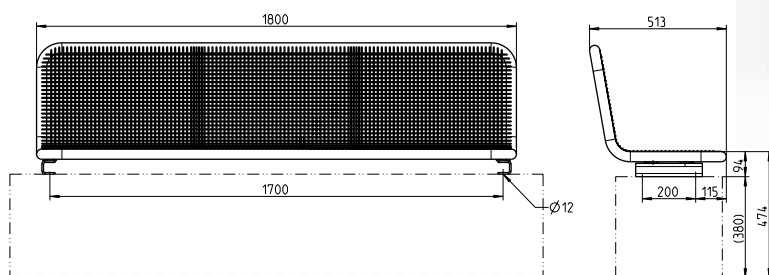


STONEWALL FIXING

Use existing structures and value what already exists.

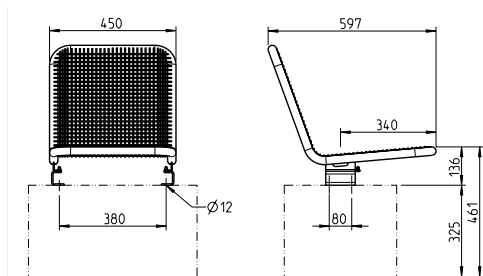
Stonewall fixing for seat section Harmony and Style

With the stainless steel adaptation set for fixing to stonewalls, all our Harmony and Style seat sections can be easily fixed to existing walls



Stonewall fixing for seat pans

With the stainless steel adaptation set for fixing to stone walls, all our Harmony and Style seat pans can be easily fixed to existing stonewalls



For seat section Harmony and Style



For seat pans

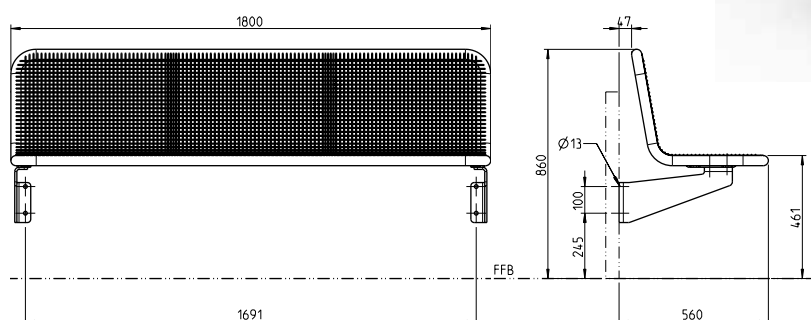
STONEWALL FIXING		
Designation	Article no.	
Adaptation set for fixing benches to walls	5007718	
Adaptation set for fixing seat pans to walls	5007183	

WALL FIXING

Use existing structures and value what already exists.

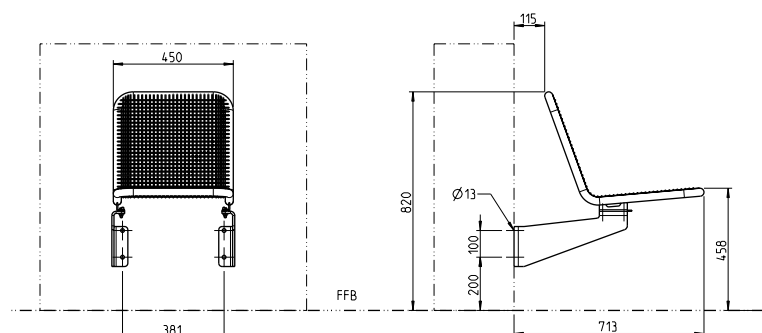
Wall fixing for benches

- With the adaptation set for fixing to walls, all our Harmony and Style seat sections can be easily fixed to existing walls.
- Galvanised and powder-coated



Wall fixing for seating groups

- With the adaptation set for fixing to walls, all our seat pans can be easily fixed to existing walls.
- Galvanised and powder-coated



ADAPTATION SET FOR FIXING TO WALLS

Designation	Article no.
Adaptation set for fixing to walls	53745..*



RETROFITTING SET

Turn old into new.

Refurbishment with the Erlau retrofitting sets

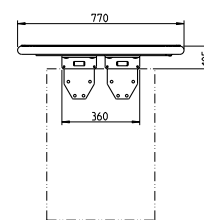
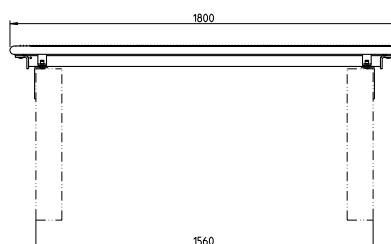
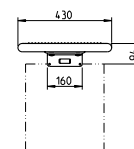
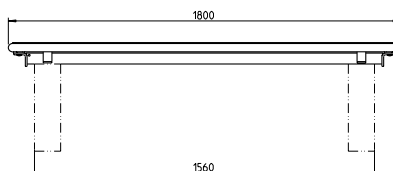
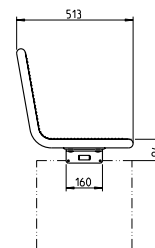
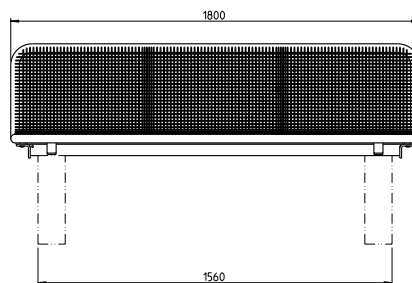
Weathering and vandalism leave their mark

Unfortunately, the ravages of time gnaw away at outdoor furniture too.

Whether its the wind and weather, or often due to vandalism: Especially in public places, the outdoor furniture is affected after a certain time due to the high frequency of use. The installation starts to look unattractive and loses its appeal. In these cases, Erlau can offer to retrofit your furniture: Existing, still intact parts of your furniture are upgraded, for example, with an intact table top from Erlau.

The solution: The Erlau retrofitting set

- The precise solution, whatever your bench and table dimensions
- Simple handling: Easy independent installation
- Retention of intact parts (e.g. table legs)
- Seat surfaces can be raised, improving seating comfort



RETROFITTING SET

Designation	Article no.
Retrofitting set , consisting of: 2 x brackets 2 x fixing bars 8 x round-head flat screws M10 x 30 8 x washers 8 x shear nuts M10	5007159
Connection rod	5371617
Fixing material for installation on existing concrete legs is not included in the scope of supply.	



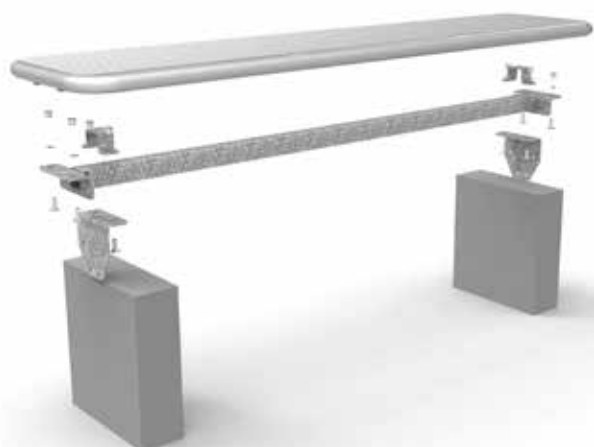
AFTER

RETROFITTING SET

Installation options. With the Erlau retrofitting set

Side installation

Bench with/without backrest (outward or inward angle)



Installation from the top Bench with/without backrest



BEFORE



Side installation

Table

For the table, two retrofitting sets and two connection rods are required (outward or inward angle)





INTERSIT WIRE MESH

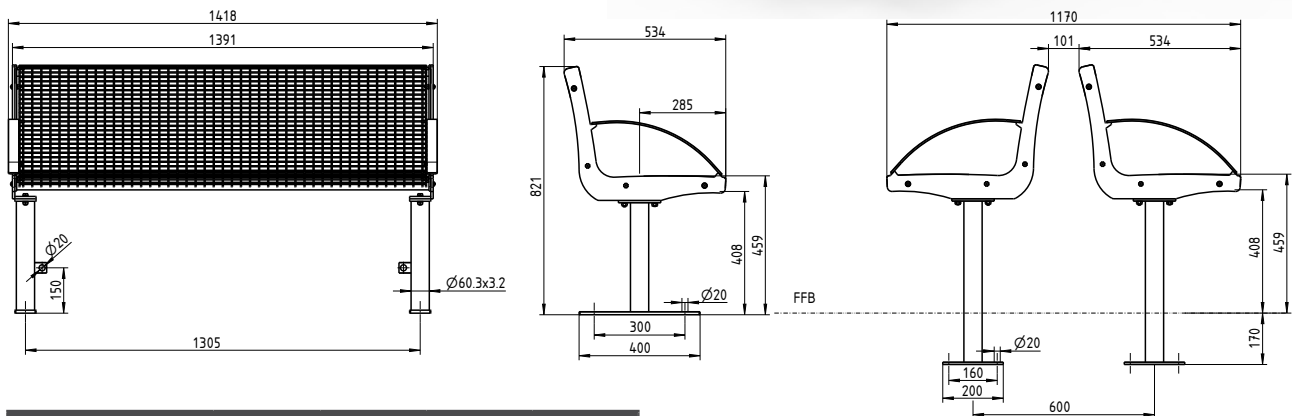
The modern bench. Ideal for use in public waiting areas.

- Lateral frame made of laser-cut moulded parts, seat and backrest with full wire mesh surface, grid 15 x 30 mm, with more compact grid for visual seat separation and added stabilisation
- Wire thickness 3.3 mm, top wires perpendicular to the seating direction
- Connections made of laser-cut moulded parts, tube metal legs, diameter 60 mm
- Completely hot-dip galvanised and powder-coated
- With armrests



Matching tables:
Starting on page 118

Matching waste containers:
Starting on page 142



INTERSIT WITH BACKREST, WIRE MESH			
Designation	FP0 / Portable		FP170
	Item no.		Item no.
3-seater	54802..*		54806..*
3+3-seater	54803..*		54807..*
6-seater	54804..*		54808..*
6+6-seater	54805..*		54809..*



INTERSIT PAGHOLZ

The modern bench. Ideal for use in public waiting areas.

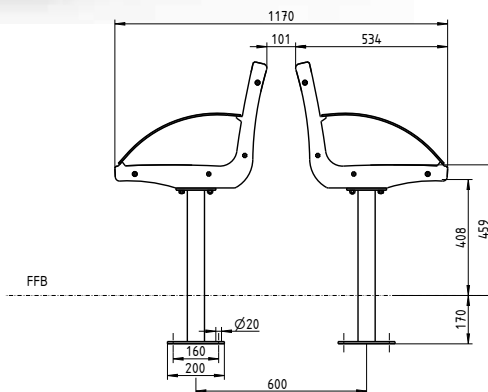
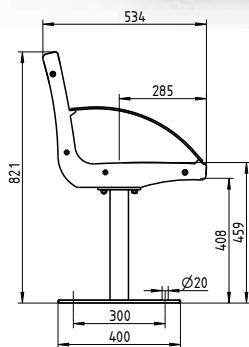
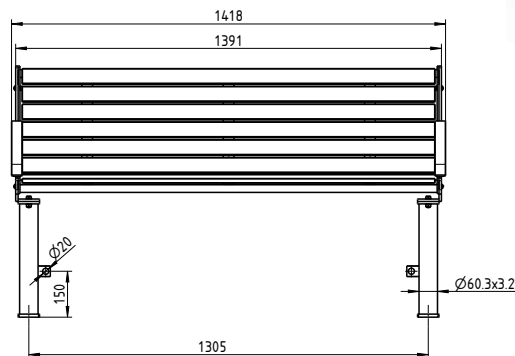
- Lateral frame made of laser-cut moulded parts, seat and backrest surfaces covered with Pagholz slats running perpendicular to the seating direction
- Connections made of laser-cut moulded parts, tube metal legs, diameter 60 mm
- Completely hot-dip galvanised and powder-coated
- With armrests

Matching tables:

Starting on page 118

Matching waste containers:

Starting on page 142



INTERSIT WITH BACKREST, PAGHOLZ				
Designation	FPO / Portable		FP170	
	Item no.		Item no.	
3-seater	54810..*		54814..*	
3+3-seater	54811..*		54815..*	
6-seater	54812..*		54816..*	
6+6-seater	54813..*		54817..*	



4-6 weeks

Choice of RAL colour on request







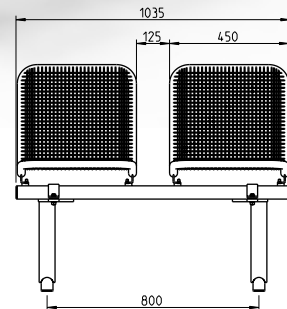
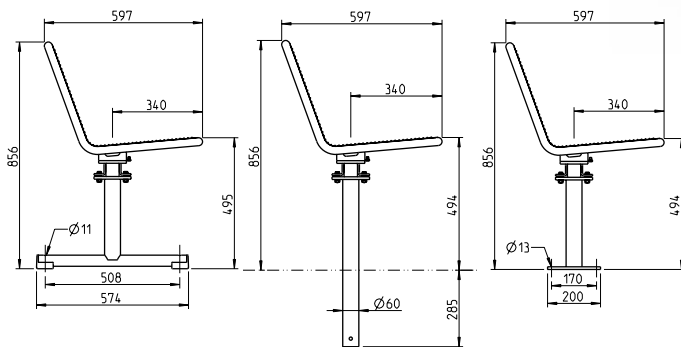
ALLEGRO / NOVA

**Graceful and cultivated.
Lights up any space.**

- All seat and back surfaces with wire mesh and round tube, diameter 30 mm
- Grid 15 x 15 mm, wire thickness 3.3 mm
- Top wires transverse to the direction of seating
- Grid compressions for stabilisation
- Vortex-sintered with polyamide Rilsan, coating thickness min. 350 µm
- Frame Nova 50 x 50 mm with welded-on screw-connection plates, fully hot-dip galvanised and powder-coated
- Leg Nova made of round tube, diameter 60 mm, fully hot-dip galvanised and powder-coated

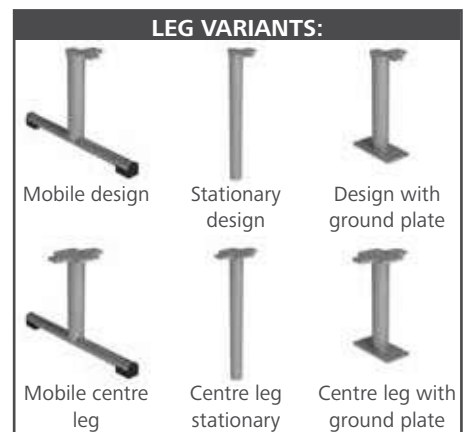
Radially aligned design:
From page 96

Armrest optional:
Armrest Allegro 53720.*
Fixing set for armrest 5006940



ALLEGRO NOVA WITH BACKREST, WITHOUT ARMREST

Designation	Mobile		Stationary		With ground plate	
	Article no.		Article no.		Article no.	
2-seater	-		-		-	
3-seater	-		-		-	
4-seater	-		-		-	
5-seater	-		-		-	





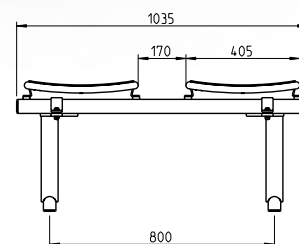
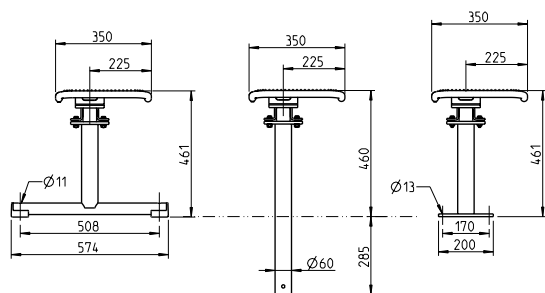
MULTI / NOVA

Made for the essential.
The versatile classic for every application.

- Seat surface with wire mesh and round tube, diameter 25 mm
- Grid 15 x 15 mm, wire thickness 3.3 mm
- Grid compressions for stabilisation
- Vortex-sintered with polyamide Rilsan, coating thickness min. 350 µm
- Frame Nova 50 x 50 mm with welded-on screw-connection plates, fully hot-dip galvanised and powder-coated
- Leg Nova made of round tube, diameter 60 mm, fully hot-dip galvanised and powder-coated

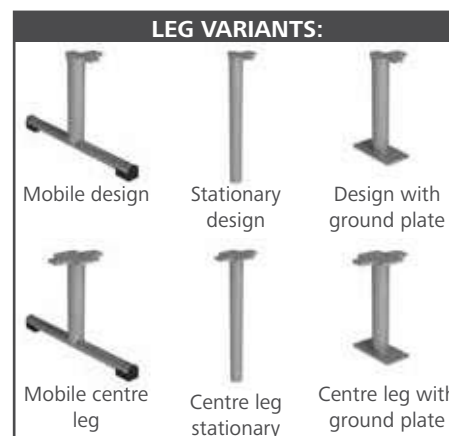
Radially aligned design:
 From page 96

Armrest optional:
 Armrest Allegro 53720..*
 Fixing set for armrest 5006940



MULTI NOVA, WITHOUT BACKREST, WITHOUT ARMREST

Designation	Mobile		Stationary		With ground plate	
	Article no.		Article no.		Article no.	
2-seater	-		-		-	
3-seater	-		-		-	
4-seater	-		-		-	
5-seater	-		-		-	

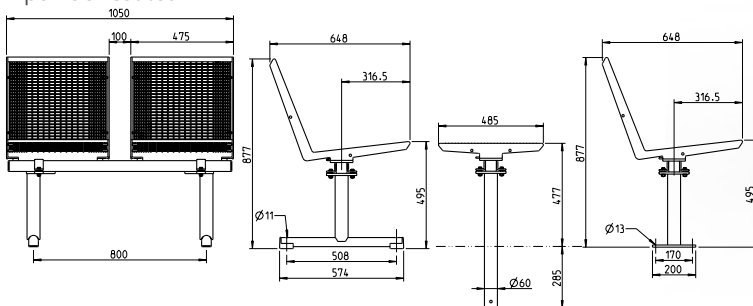




TOPSIT / NOVA WIRE MESH

The urban aesthetic of sitting manifests itself in a clear edge and strong pose.

- Side frame made of laser-cut mouldings
- All seat and back surfaces with wire mesh
- Top wires transverse to the direction of seating
- Grid 15 x 30 mm, wire thickness 4.0 mm
- Grid compressions for stabilisation
- Wire ends framed in ERLAU special profile
- Vortex-sintered with polyamide Rilsan, coating thickness min. 350 µm
- Frame Nova 50 x 50 mm with welded-on screw-connection plates, fully hot-dip galvanised and powder-coated
- Leg Nova made of round tube, diameter 60 mm, fully hot-dip galvanised and powder-coated



Armrest optional:



(only in combination with backrest)
Armrest Topsit 53561..*
Fixing set for armrest 5007366

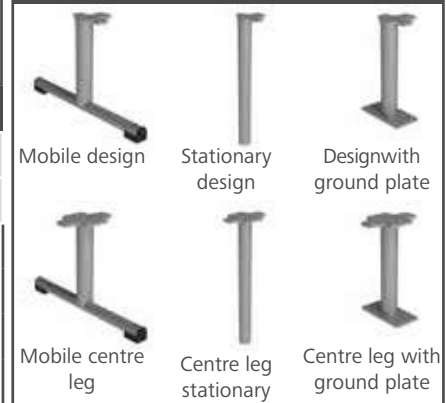
TOPSIT NOVA WIRE MESH BACKREST, WITH BACKREST, WITHOUT ARMREST

Designation	Mobile		Stationary		With ground plate	
	Article no.		Article no.		Article no.	
2-seater	-		-		-	
3-seater	-		-		-	
4-seater	-		-		-	
5-seater	-		-		-	

TOPSIT NOVA WIRE MESH, WITHOUT BACKREST, WITHOUT ARMREST

Designation	Mobile		Stationary		With ground plate	
	Article no.		Article no.		Article no.	
2-seater	-		-		-	
3-seater	-		-		-	
4-seater	-		-		-	
5-seater	-		-		-	

LEG VARIANTS:





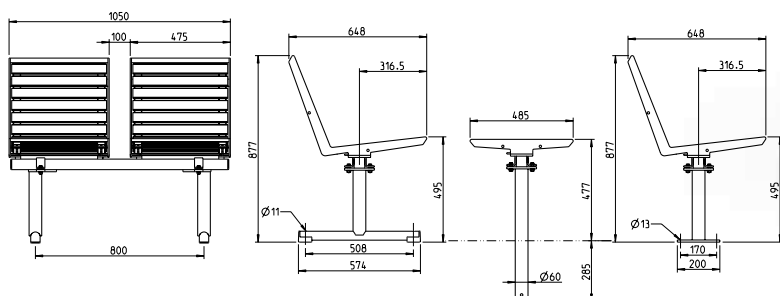
TOPSIT / NOVA PAGWOOD

The urban aesthetic of sitting manifests itself in a clear edge and strong pose.

- Side frame made of laser-cut mouldings
- All seat and back surfaces with pagwood strips
- Vortex-sintered in polyamide Rilsan, coating thickness min. 350 µm
- Frame Nova 50 x 50 mm with welded-on screw-connection plates, fully hot-dip galvanised and powder-coated
- Leg Nova made of round tube, diameter 60 mm, fully hot-dip galvanised and powder-coated

Radially aligned design:

From page 96



Armrest optional:



(only in combination with backrest)
Armrest Topsit 53561...*
Fixing set for armrest 5007366

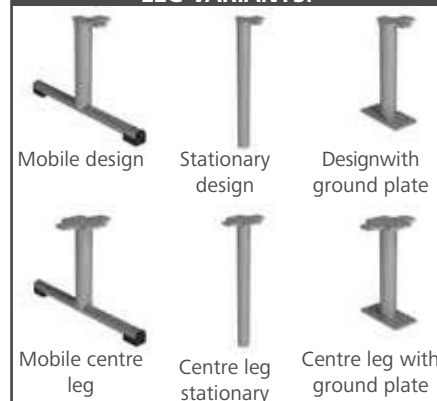
TOPSIT NOVA PAGWOOD, WITH BACKREST, WITHOUT ARMREST

Designation	Mobile		Stationary		With ground plate	
	Article no.		Article no.		Article no.	
2-seater	-		-		-	
3-seater	-		-		-	
4-seater	-		-		-	
5-seater	-		-		-	

TOPSIT NOVA PAGWOOD, WITHOUT BACKREST, WITHOUT ARMREST

Designation	Mobile		Stationary		With ground plate	
	Article no.		Article no.		Article no.	
2-seater	-		-		-	
3-seater	-		-		-	
4-seater	-		-		-	
5-seater	-		-		-	

LEG VARIANTS:

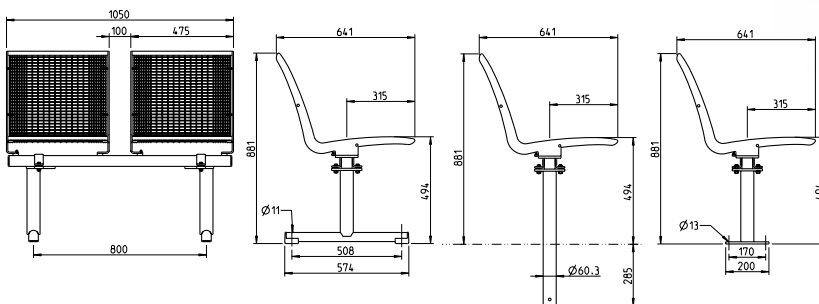




SEAT PAN MÜNCHEN / NOVA

**The multi-dimensionality of seating.
For maximum comfort in an urban setting.**

- Side frame made of laser-cut mouldings
- All seat and back surfaces with wire mesh
- Seat surface shaped to fit the body
- Top wires transverse to the direction of seating
- Grid 15 x 30 mm, wire thickness 3.3 mm
- Grid compressions for stabilisation
- Wire ends framed in ERLAU special profile
- Vortex-sintered with polyamide Rilsan, coating thickness min. 350 µm
- Frame Nova 50 x 50 mm with welded-on screw-connection plates, fully hot-dip galvanised and powder-coated
- Leg Nova made of round tube, diameter 60 mm, fully hot-dip galvanised and powder-coated

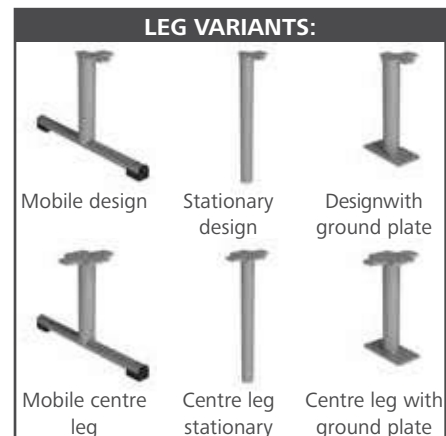


Armrest optional:



(only in combination with backrest)
Armrest Topsit 53561..*
Fixing set for armrest 5007366

MÜNCHEN WIRE MESH WITH BACKREST, WITHOUT ARMREST						
Designation	Mobile		Stationary		With ground plate	
	Article no.		Article no.		Article no.	
2-seater	-		-		-	
3-seater	-		-		-	
4-seater	-		-		-	
5-seater	-		-		-	





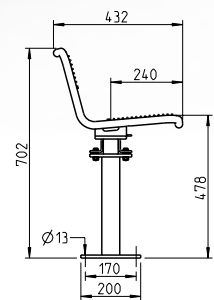
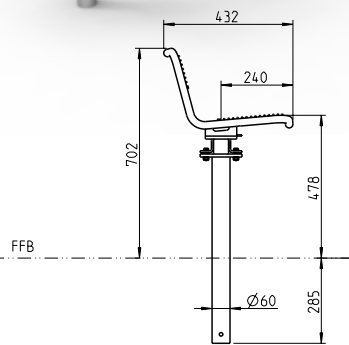
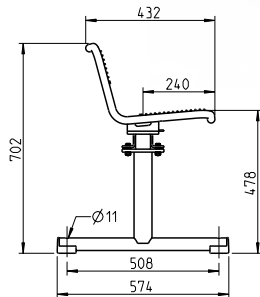
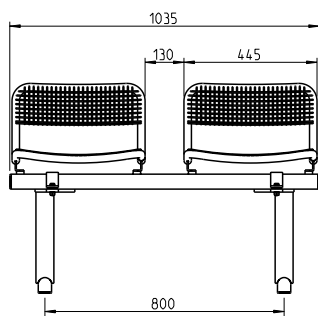
SEDIA / NOVA

**Filigree and space-saving.
A reliable companion - not only in stadiums.**

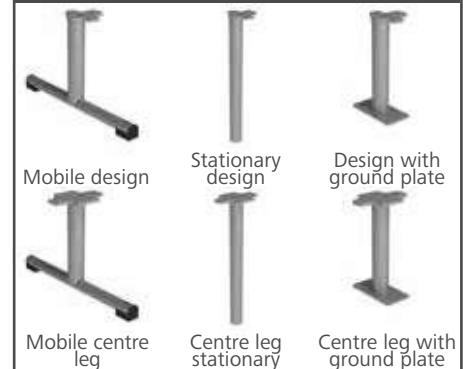
- Seat and back surfaces with wire mesh and round tube, diameter 25 mm
- Top wires transverse to the direction of seating
- Grid 15 x 15 mm, wire thickness 3.3 mm
- Grid compressions for stabilisation
- Vortex-sintered in polyamide Rilsan, coating thickness min. 350 µm
- Frame Nova 50 x 50 mm with welded-on screw-connection plates, fully hot-dip galvanised and powder-coated
- Leg Nova made of round tube, diameter 60 mm, fully hot-dip galvanised and powder-coated

Radially aligned design:
From page 96

Armrest optional:
Armrest Allegro 53720..*
Fixing set for armrest 5006940



LEG VARIANTS:



SEDIA NOVA WITH BACKREST, WITHOUT ARMREST						
Designation	Mobile		Stationary		With ground plate	
	Article no.		Article no.		Article no.	
2-seater	-		-		-	
3-seater	-		-		-	
4-seater	-		-		-	
5-seater	-		-		-	



4-6 weeks

Choice of RAL colour on request



ERLAU® VARI

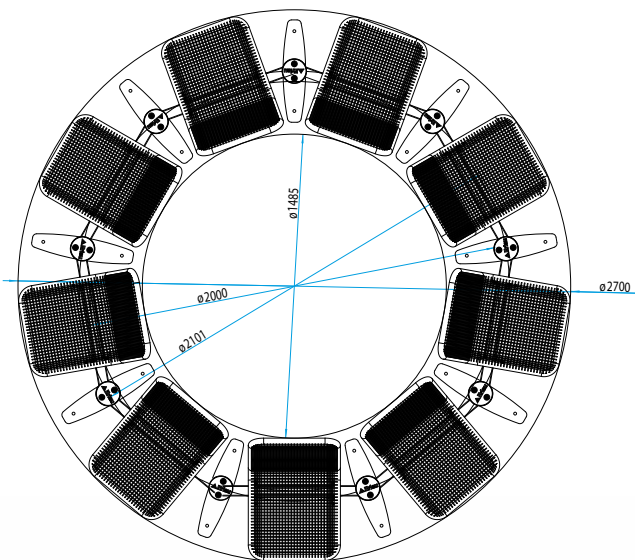
Radially aligned design of seating groups.

Full circle, semi-circle, aligned outwards or inwards.

Mobile or stationary.

The system Vari enables a highly flexible frame alignment and therefore the radially aligned design of seating groups.

Works with all seat pans (see page 221)



Interested?

Enquire directly.
objekteinrichtung@erlau.com





OLYMPIA NOVA WITH BACKREST

The planning miracle. Combination options enable customised solutions.

- Seat and back surfaces with wire mesh and round tube, diameter 30 mm connected with laser-cut mouldings
- Grid 15x25 mm, wire thickness 3.3 mm
- Top wires transverse to the direction of seating
- Seat surface with knee roll, cambered, slightly curved, back surface with armrest
- Seat height 450 mm
- Vortex-sintered in polyamide Rilsan, coating thickness min. 350 µm
- Leg Nova made of round tube, diameter 60 mm, fully hot-dip galvanised and powder-coated

Matching waste containers:

From page 142



The following fittings you need in addition

Fixing Set 5007839 (2x per seat pan)

Armrest optional:
(only in combination with backrest)
Armrest Olympia Nova 52694..*
Fixing set for armrest 5008248



LEG VARIANTS FOR OUTER LEG:

Mobile design, drilled Stationary design for setting in concrete Stationary design with ground plate

LEG VARIANTS FOR THE INNER LEG:

Mobile design, drilled Stationary design for setting in concrete Stationary design with ground plate

OLYMPIA NOVA, WITH BACKREST	
Designation	Article no.
Seat pan 1-seater straight	52480..*
Seat pan 2-seater straight	52479..*
Seat pan 1-seater curved inside	52482..*
Seat pan 1-seater curved outside	52481..*

OUTER LEG	
Designation	Article no.
Mobile, drilled	53786..*
Stationary for setting in concrete	53782..*
Stationary with ground plate FPO	53784..*

INNER LEG	
Designation	Article no.
Mobile, drilled	53787..*
Stationary for setting in concrete	53783..*
Stationary with ground plate FPO	53785..*



OLYMPIA NOVA WITHOUT BACKREST

The planning miracle. Combination options enable customised solutions.

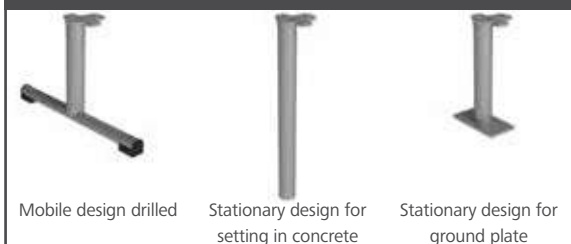
- Seat surfaces with wire mesh and round tube, diameter 30 mm connected with laser-cut mouldings
- Grid 15x25 mm, wire thickness 3.3 mm
- Top wires transverse to the direction of seating
- Seat surface with knee roll, cambered, slightly curved
- Seat height 450 mm
- Vortex-sintered in polyamide Rilsan, coating thickness min. 350 µm
- Leg Nova made of round tube, diameter 60 mm, fully hot-dip galvanised and powder-coated

Matching waste containers:

From page 142



LEG VARIANTS FOR OUTER LEG:



Mobile design drilled

Stationary design for setting in concrete

Stationary design for ground plate

LEG VARIANTS FOR THE INNER LEG:



Mobile design drilled

Stationary design for setting in concrete

Stationary design for ground plate

OLYMPIA NOVA, WITHOUT BACKREST

Designation	Article no.
Seat pan 1-seater straight	52884..*
Seat pan 2-seater straight	52882..*
Seat pan 1-seater curved	52883..*

OUTER LEG

Designation	Article no.
Mobile, drilled	53786..*
Stationary for setting in concrete	53782..*
Stationary with ground plate FP0	53784..*

INNER LEG

Designation	Article no.
Mobile, drilled	53787..*
Stationary for setting in concrete	53783..*
Stationary with ground plate FP0	53785..*



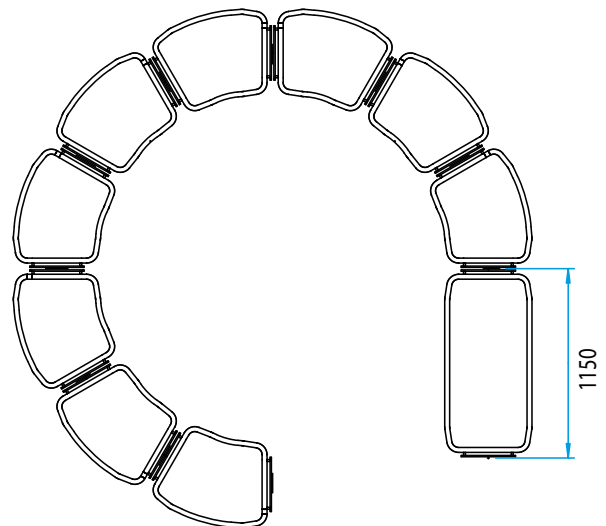
OLYMPIA NOVA DESIGN VARIANTS

OLYMPIA NOVA WITHOUT BACKREST

What you need:

Seat sections: 1 unit
2-seater straight
9 unit
1-seater curved 30°

Legs: 2 unit
Outer leg
9 unit
Inner leg

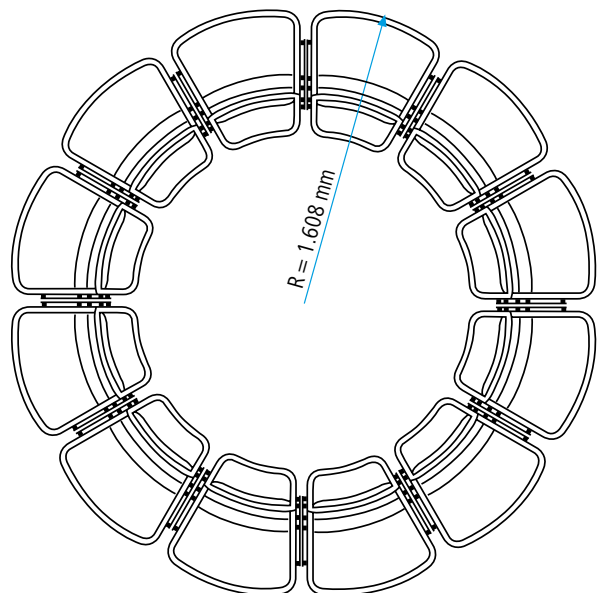


OLYMPIA NOVA WITH BACKREST FULL CIRCLE

What you need:

Seat sections: 12 unit
1-seater curved 30° outside

Legs: 12 unit
Inner leg

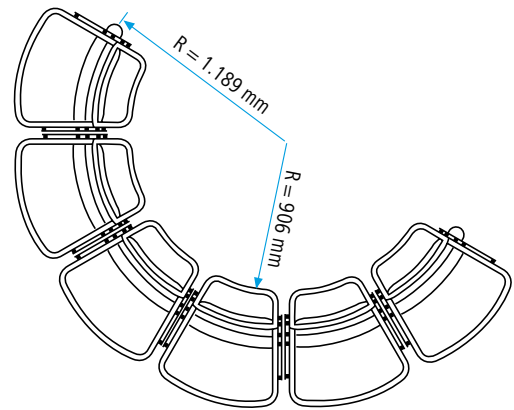




OLYMPIA NOVA WITH BACKREST, SEMI-CIRCLE 180° OUTWARDS

What you need:

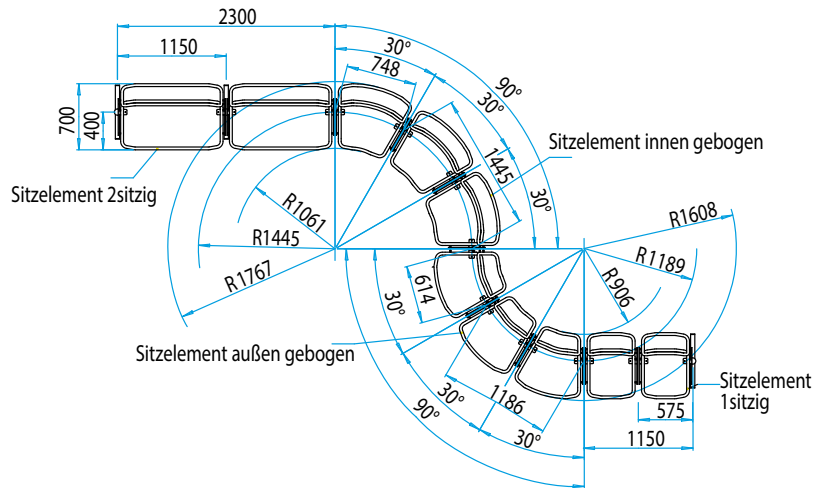
- Seat sections:** 6 unit
1-seater curved 30° outside
- Legs:** 2 unit
Outer leg
5 unit
Inner leg



OLYMPIA NOVA WITH BACKREST

What you need:

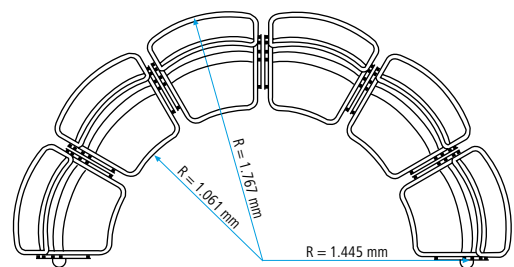
- Seat sections:** 2 unit
2-seater straight
3 unit
1-seater curved 30° inside
3 unit
1-seater straight 30° outside
2 unit
1-seater straight
- Legs:** 2 unit
Outer leg
9 unit
Inner leg



OLYMPIA NOVA SEMI-CIRCLE 180° INWARDS

What you need:

- Seat sections:** 6 unit
1-seater curved 30° inside
- Legs:** 2 unit
Outer leg
5 unit
Inner leg





OLYMPIA WITH BACKREST

The outdoor seating group since 1972.

- Seat and back surfaces with wire mesh and round tube, diameter 30 mm
- Grid 15 x 15 mm, wire thickness 3.3 mm
- Seat surface with knee roll, back surface with armrest
- Vortex-sintered in polyamide Rilsan, coating thickness min. 350 µm
- Leg made of steel tube, hot-dip galvanised and powder-coated

Matching waste containers:

From page 142



Straight



Curved outwards



Curved inwards

LEG VARIANTS FOR OUTER LEG:



Mobile design, drilled



Stationary design for setting in concrete



Stationary design with ground plate

LEG VARIANTS FOR THE INNER LEG:



Mobile design, drilled



Stationary design for setting in concrete



Stationary design with ground plate

OLYMPIA WITH BACKREST

Designation	Mobile		Stationary		Stationary with ground plate	
	Article no.		Article no.		Article no.	
Basic element 2-seater straight	51334.*		51332.*		51333.*	
Attachment element 2-seater straight	51337.*		51335.*		51336.*	
Basic element 1-seater curved outside	51358.*		51356.*		51357.*	
Attachment element 1-seater curved outside	51361.*		51359.*		51360.*	
Basic element 1-seater curved inside	51352.*		51350.*		51351.*	
Attachment element 1-seater curved inside	51355.*		51353.*		51354.*	

OLYMPIA WITHOUT BACKREST

The outdoor seating group since 1972.

- Seat surface with wire mesh and round tube, diameter 30 mm
- Grid 15 x 15 mm, wire thickness 3.3 mm
- Seat surface with knee roll
- Vortex-sintered in polyamide Rilsan, coating thickness min. 350 µm
- Leg made of steel tube, hot-dip galvanised and powder-coated

Matching waste containers:

From page 142



Straight



Curved

LEG VARIANTS:



Mobile design, drilled



Stationary design for setting in concrete



Stationary design with ground plate

OLYMPIA WITHOUT BACKREST

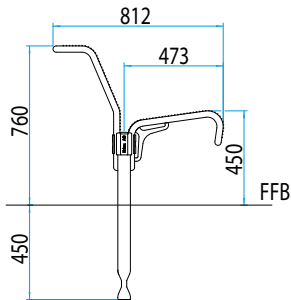
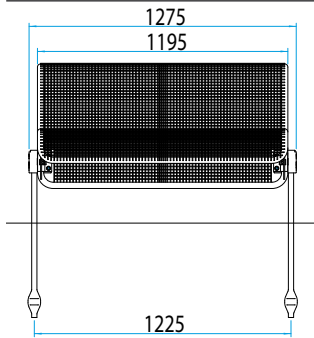
Designation	Mobile		Stationary		Stationary with ground plate	
	Article no.		Article no.		Article no.	
Basic element 2-seater straight	59772..*		59752..*		59758..*	
Attachment element 2-seater straight	59782..*		59762..*		59768..*	
Basic element 1-seater curved outside	59732..*		59712..*		59718..*	
Attachment element 1-seater curved outside	59742..*		59722..*		59728..*	
Basic element 3-seater straight	51299..*		51297..*		51298..*	
Attachment element 3-seater straight	51302..*		51300..*		51301..*	



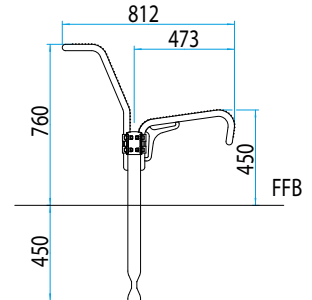
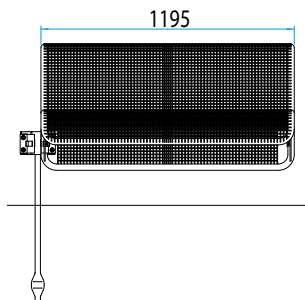
OLYMPIA WITH BACKREST

2-SEATER, STRAIGHT

BASIC ELEMENTS

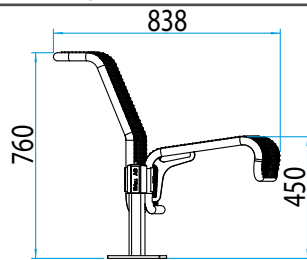
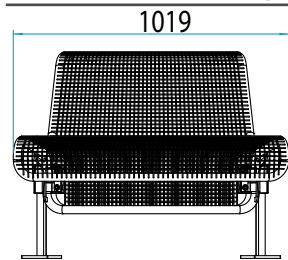


ATTACHMENT ELEMENTS

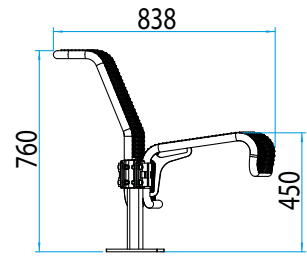
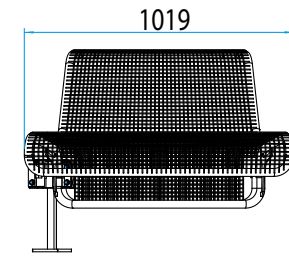


1-SEATER CIRCULAR CURVED 30° OUTSIDE

BASIC ELEMENTS

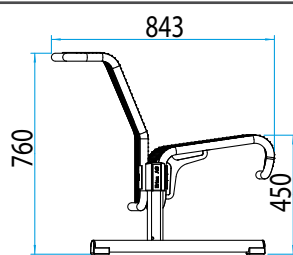
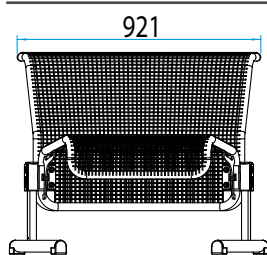


ATTACHMENT ELEMENTS

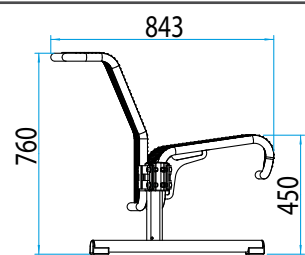
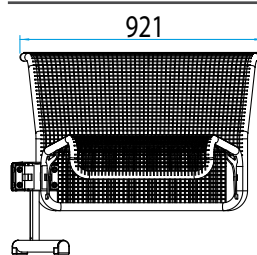


1-SEATER CIRCULAR CURVED 30° INSIDE

BASIC ELEMENTS



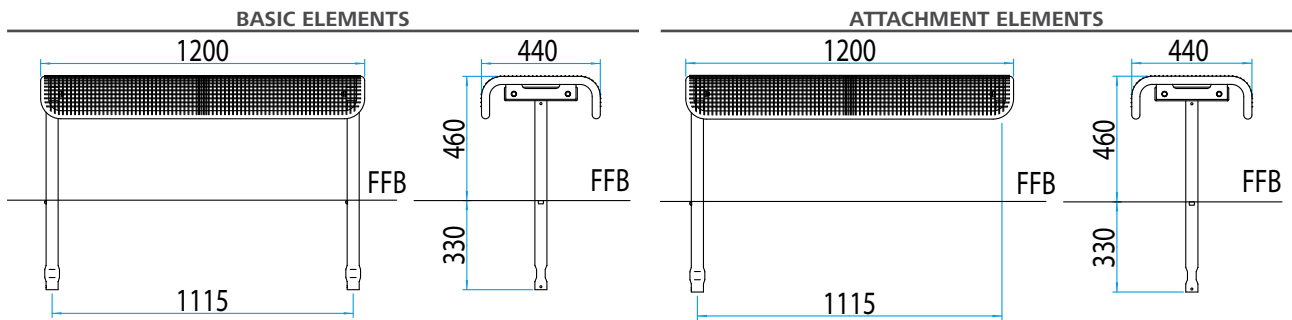
ATTACHMENT ELEMENTS



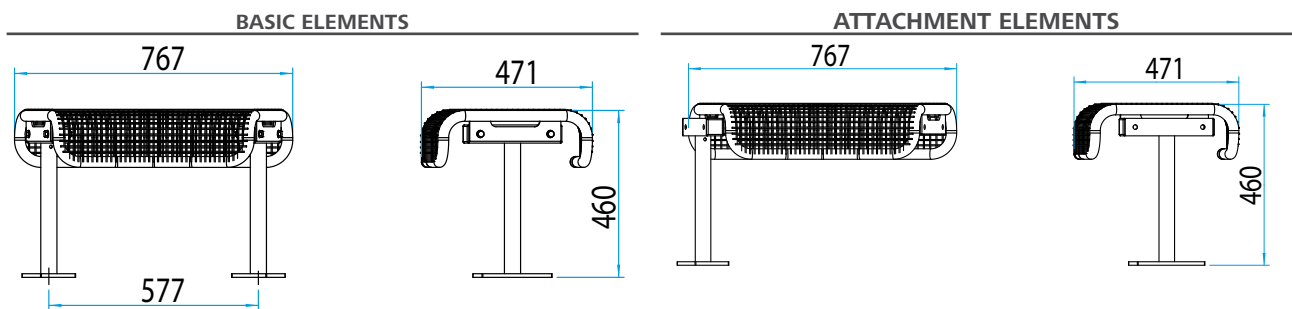


OLYMPIA WITHOUT BACKREST

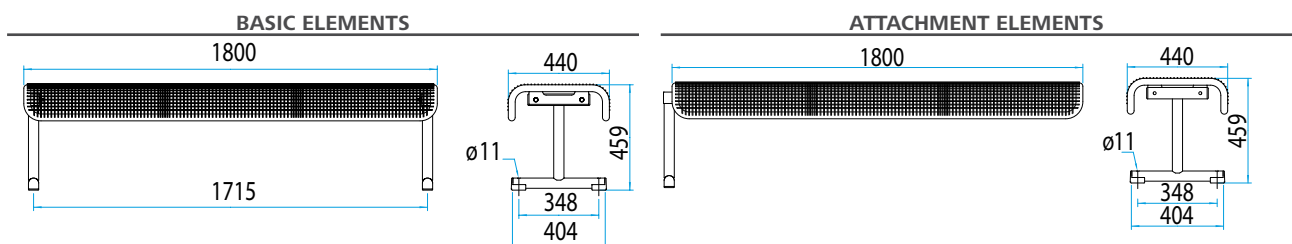
2-SEATER, STRAIGHT



1-SEATER, CURVED 30°



3-SEATER, STRAIGHT





ERLAU® SEAT-TABLE COMBINATIONS





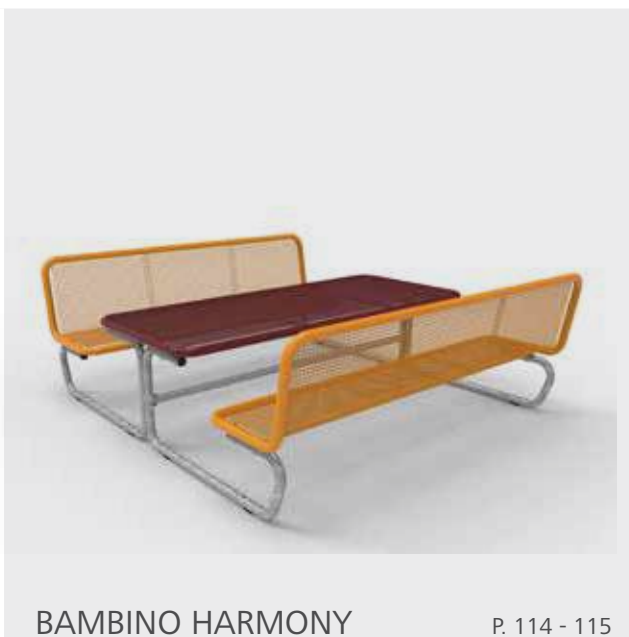
PARADOR HARMONY

P. 108 - 111



PARADOR STYLE

P. 112 - 113



BAMBINO HARMONY

P. 114 - 115



BAMBINO STYLE

P. 116 - 117



PARADOR HARMONY

Parador Harmony wire mesh table top.
The definition of a seat-table combination.
Versatile and elegant.

Parador Harmony wire mesh table top.

- Seat or table section made of wire mesh and round tube, diameter 38 mm
- Grid 15 x 15 mm, wire thickness 3.3 mm
- Grid compressions for seat places and stabilisation
- Vortex-sintered with polyamide Rilsan, coating thickness min. 350 µm
- Crossbar round tube 38 mm, fully hot-dip galvanised
- Leg set made of round tube, mobile, drilled, fully hot-dip galvanised
- Dimensions: Seat height 432 mm, table height 733 mm, length 1,800 mm

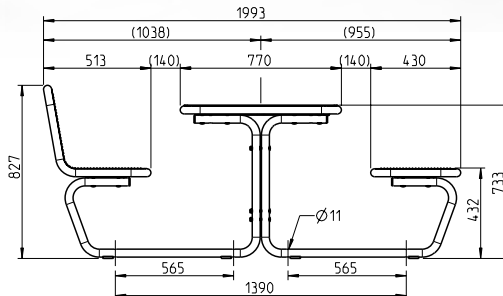
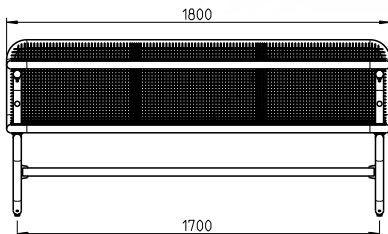


Matching waste containers:

From page 142

Ground anchor set:

Article no.: 5006938



PARADOR HARMONY WIRE MESH, 6-SEATER

Designation	Mobile	
	Article no.	
Without backrest	54159..*	
Single-sided backrest	54158..*	
Backrest on both sides	54157..*	



PARADOR HARMONY WITH SOLID TOP

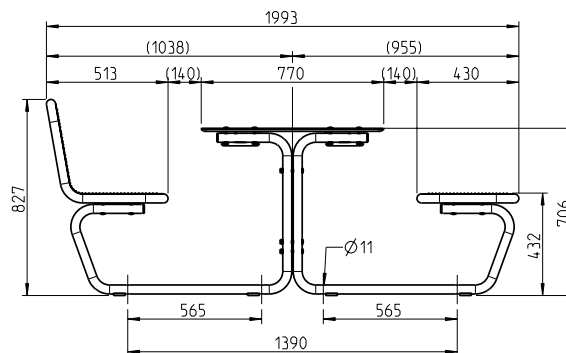
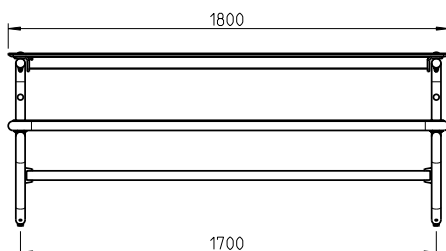
Parador Harmony wire mesh with solid top.
The definition of a seat-table combination.
Versatile and elegant.

- Seat surface made of wire mesh and round tube, diameter 38 mm
- Grid 15 x 15 mm, wire thickness 3.3 mm
- Grid compressions for seat places and stabilisation
- Vortex-sintered with polyamide Rilsan, coating thickness min. 350 µm
- Solid top made of pressed melanin resin-coated decor papers and 50 - 60 phenolic resin-impregnated core layers, dark brown
- With pressed overlay. Decor: Ceramico
- Bulk density of 1,350 kg/m³
- Crossbar round tube 38 mm, fully hot-dip galvanised
- Leg set made of round tube, mobile, drilled, fully hot-dip galvanised
- Connection rod for solid top made of laser-cut moulding part and tube 50 x 50 mm fully hot-dip galvanised
- Dimensions: Seat height 432 mm, table height 706 mm, length 1,800 mm



Matching waste containers:
 From page 142

Ground anchor set:
 Article no.: 5006938



PARADOR HARMONY, 6-SEATER WITH SOLID TOP

Designation	Mobile	
	Article no.	
Without backrest	54160..*	
Single-sided backrest	-	
Backrest on both sides	54265..*	





All versions of Parador also available in Bambino size!

PARADOR HARMONY SIMPLE

The classic seat-table combination.

- Seat and backrest made from wire mesh and round tubes, diameter 38 mm
- Grid 15 x 15 mm, wire thickness 3.3 mm
- More compact grid for seat separation and added stabilisation
- Vortex-sintered with Rilsan polyamide, min. coating thickness 350 µm
- Solid board made of pressed melamine resin-coated decor paper and 50 - 60 phenolic resin-impregnated core layers, dark brown
- With pressed-on overlay. Design: Ceramic
- Pipe density of 1,350 kg/m³
- Round tube crossbar, 38 mm, completely hot-dip galvanised
- Set of round tube legs, with holes for portable use, completely hot-dip galvanised
- Connecting rod for solid top made of a laser-cut part and tube 50 x 50 mm, completely hot-dip galvanised
- Dimensions: seat height 432 mm, table height 706 mm, length 1,800 mm



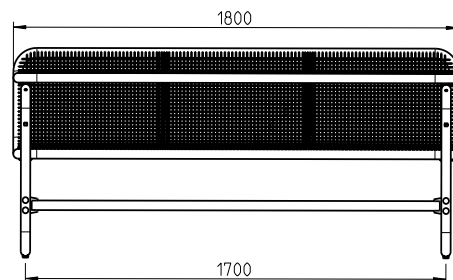
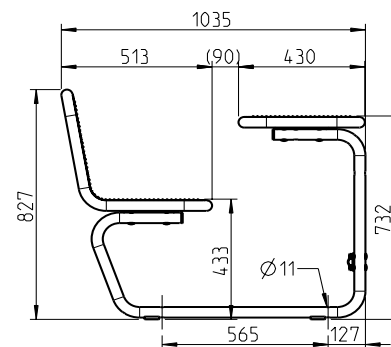
Matching waste containers:

Starting on page 142

Ground anchor set:

Item no.: 5006938

(2x per seating group)



PARADOR HARMONY, 3-SEATER				
Designation	Without backrest		With backrest	
	Item no.		Item no.	
Wire mesh	-		-	
Wire mesh with solid tabletop	-		-	



Quick delivery range: From stock



4-6 weeks

Choice of RAL colour on request





All versions of Parador also available in Bambino size!



PARADOR STYLE

Parador Style. The definition of a seat-table combination. Versatile and elegant.

- Seat and table frame made of laser-cut mouldings and round tube, diameter 38 mm
- Use of different materials to choose from
- Vortex-sintered with polyamide Rilsan, coating thickness min. 350 µm
- Crossbar round tube 38 mm, fully hot-dip galvanised
- Leg set made of round tube, mobile, drilled, fully hot-dip galvanised
- Dimensions: Seat height 432 mm, table height 732 mm, length 1,800 mm

Matching waste containers:
From page 142

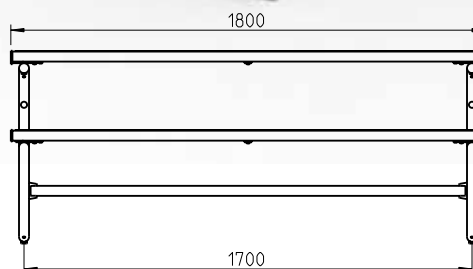
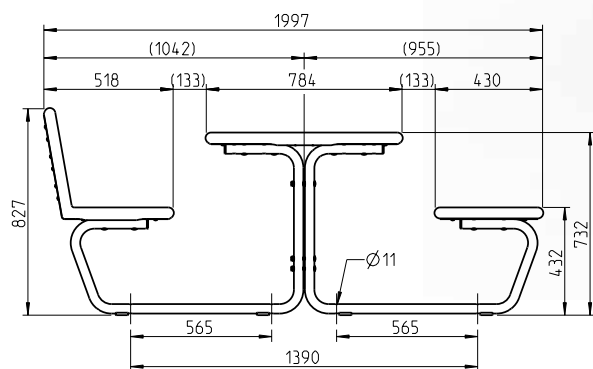
Ground anchor set:
Article no.: 5006938



WIRE MESH



DARK BAMBOO



PARADOR STYLE, 6-SEATER

Designation	without backrest		Single-sided backrest		Backrest on both sides	
	Article no.					
Wire mesh	-		-		-	
Bamboo Savanna	-		-		-	
Dark bamboo	-		-		-	
Recycled plastic	54161..*		54654..*		54656..*	
Pagwood	-		-		-	
Accoya	54653..*		54655..*		54657..*	



PARADOR STYLE SIMPLE

The seat-table combination par excellence. Versatile and elegant.

- Seat and table frame made from laser-cut parts and round tubes, diameter 38 mm
- Inserts made of different materials can be selected
- Seat and table frame hot-dip galvanised and powder-coated
- Round tube crossbar, 38 mm, completely hot-dip galvanised
- Set of round tube legs, with holes for portable use, completely hot-dip galvanised
- Dimensions: seat height 432 mm, table height 706 mm, length 1,800 mm



DARK BAMBOO & SOLID BOARDS

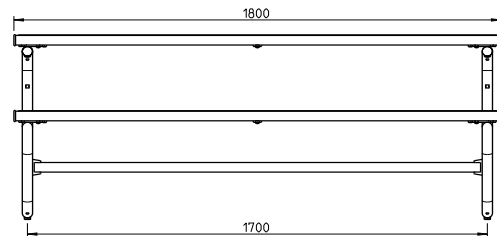
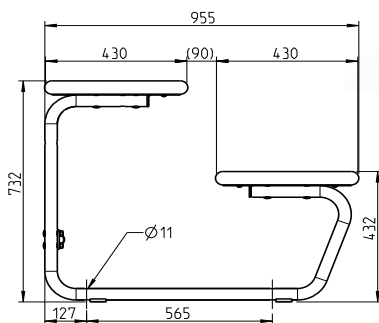
Matching waste containers:
Starting on page 142

Ground anchor set:
Item no.: 5006938

(2x per seating group)



ACCOYA



PARADOR STYLE SIMPLE, 3-SEATER				
Designation	Without backrest		With backrest	
	Item no.		Item no.	
Wire mesh	-		-	
Dark Bamboo	-		-	
Savanna Bamboo	-		-	
Recycled plastic	-		-	
Pagholz	-		-	
Accoya	-		-	



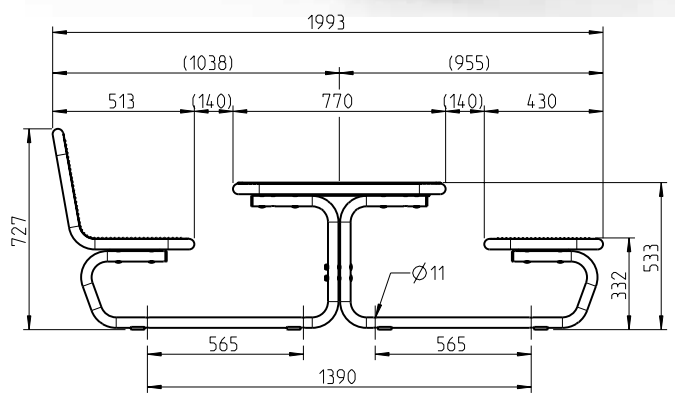
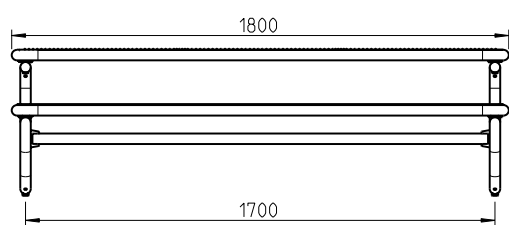
BAMBINO HARMONY

Bambino Harmony wire mesh table top.
The definition of a seat-table combination.
Versatile and elegant.

- Seat or table section made of wire mesh and round tube, diameter 38 mm
- Grid 15 x 15 mm, wire thickness 3.3 mm
- Grid compressions for seat places and stabilisation
- Vortex-sintered with polyamide Rilsan, coating thickness min. 350 µm
- Crossbar round tube 38 mm, fully hot-dip galvanised
- Leg set made of round tube, mobile, drilled, fully hot-dip galvanised
- Dimensions: Seat height 332 mm, table height 532 mm, length 1,800 mm

Matching waste containers:
 From page 142

Ground anchor set:
 Article no.: 5006938



BAMBINO HARMONY 6-SEATER, WIRE MESH TOP

Designation	Mobile	
	Article no.	
Without backrest	54266..*	
Single-sided backrest	-	
Backrest on both sides	-	



Quick delivery range: From stock



4-6 weeks

Choice of RAL colour on request



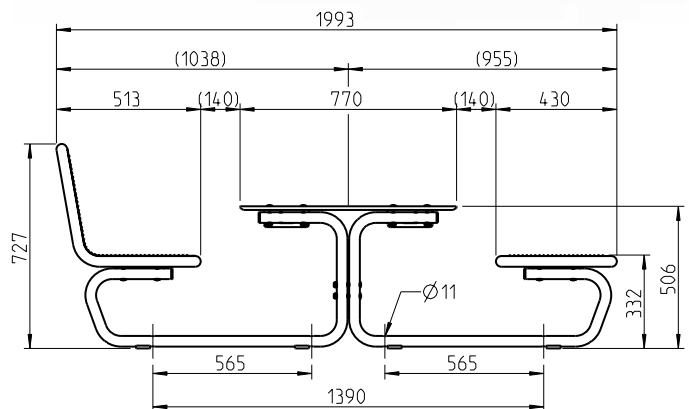
BAMBINO HARMONY WITH SOLID TOP

Bambino Harmony solid table top.
The definition of a seat-table combination.
Versatile and elegant.

- Seat surface made of wire mesh and round tube, diameter 38 mm
- Grid 15 x 15 mm, wire thickness 3.3 mm
- Grid compressions for seat places and stabilisation
- Vortex-sintered with polyamide Rilsan, coating thickness min. 350 µm
- Table top made of pressed melanin resin-coated decor papers and 50-60 phenolic resin-impregnated core layers, dark brown
- Decor: Ceramicco
- Crossbar round tube 38 mm, fully hot-dip galvanised
- Leg set made of round tube, mobile, drilled, fully hot-dip galvanised
- Dimensions: Seat height 332 mm, table height 506 mm, length 1,800 mm

Matching waste containers:
 From page 142

Ground anchor set:
 Article no.: 5006938



PARADOR HARMONY 6-SEATER, SOLID TOP		
Designation	Mobile	
	Article no.	
Without backrest	54162..*	
Single-sided backrest	-	
Backrest on both sides	-	





BAMBINO STYLE

Bambino Style.

The definition of a seat-table combination.

Versatile and elegant.

- Seat and table frame made of laser-cut mouldings and round tube, diameter 38 mm.
- Use of different materials to choose from
- Vortex-sintered with polyamide Rilsan, coating thickness min. 350 µm
- Crossbar round tube 38 mm, fully hot-dip galvanised
- Leg set made of round tube, mobile, drilled
- Fully hot-dip galvanised
- Dimensions: Seat height 333 mm, table height 533 mm, length 1800 mm

Matching waste containers:

From page 142

Ground anchor set:

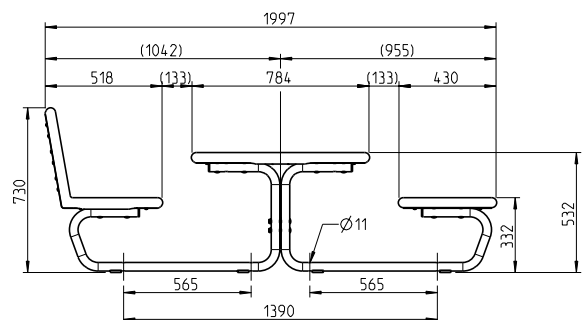
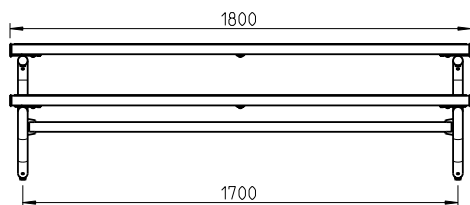
Article no.: 5006938



ACCOYA



WIRE MESH



BAMBINO STYLE, 6-SEATER

Designation	without backrest		Single-sided backrest		Backrest on both sides	
	Article no.					
Wire mesh	-		-		-	
Bamboo Savanna	-		-		-	
Dark bamboo	-		-		-	
Recycled plastic	-		-		-	
Pagwood	-		-		-	
Accoya	-		-		-	



ALL VERSIONS OF BAMBINO ALSO AVAILABLE IN SINGLE TYPES!



PAGWOOD



SOLID PLATE



ERLAU® TABLES AND CHAIRS



TABLE BENCH ACCESSIBLE
COMBINATIONS ARE POSSIBLE



FAST TRACK
PROGRAMME



CITYLINE

P. 120 - 121



SOLARIS

P. 122 - 125



STOOL HARMONY
CHAIR OFFENBURG

P. 126 - 127



TABLE MENSA
HIGH CHAIR ENOVA

P. 128 - 131



TABLE TABULA

P. 132 - 133



SIENA MAXI

P. 134 - 135



QUADRI MAXI

P.136 - 137



PRIMAVERA MAXI

P. 138- 139



CHAIR ETNA

P. 140



TABLE BRUNEI

P. 140



FOLDER TABLE

P. 141



PARASOL

P. 141

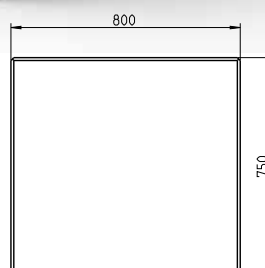
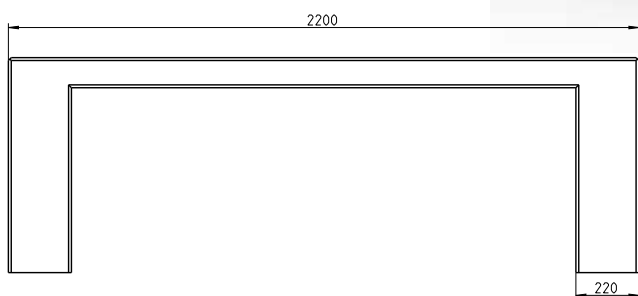
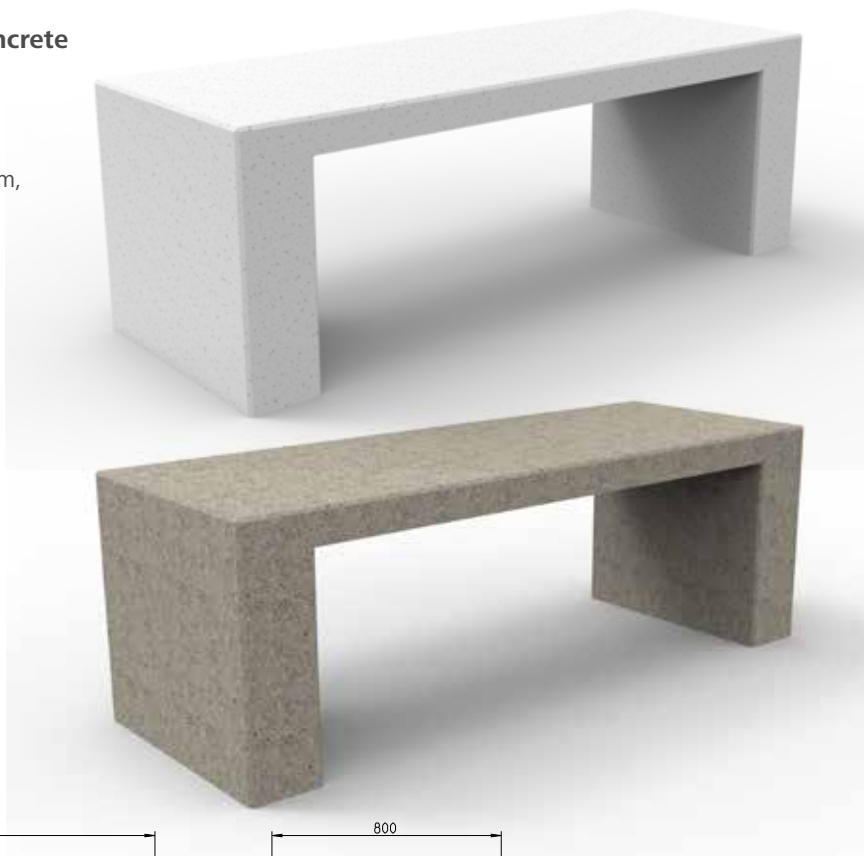


ERLAU® CityLine Urbano Cubo

The Urbano Cubo table. An austere concrete aesthetic for a modern outdoor space.

- Portable
- Material: concrete
- Dimensions (W x D x H): 2,200 x 800 x 750 mm, Weight: 945 kg

Matching Urbano Cubo benches:
On pages 32 - 33



URBANO CUBO TABLE		
Designation	Portable	
	Item no.	
Urbano Cubo table, white	5008217	
Urbano Cubo table, grey	5008218	



CityLine Urbano Cubo
BENCH
Page 32



SOLARIS CHAIR

Comfort meets Design. With its ergonomically shaped seat, our Solaris chair gives you a comfortable sitting experience.

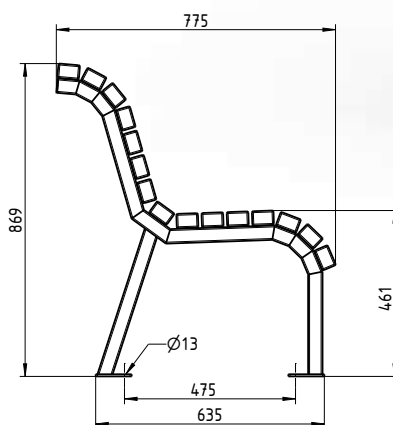
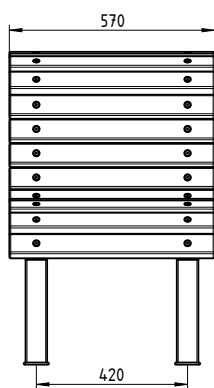
- Curved seat made of 15 slats, 60 x 40 mm. Slats screwed together with countersunk screws
- Fixed version including fixing holes
- Tube metal legs, 60 x 40 mm, colour: RAL 7016 Anthracite Grey
- Dimensions (W x L x H): 570 x 744 x 869 mm

Matching Solaris table:
Page 124

Matching Solaris bench:
Page 50

Matching Solaris stool:
Starting on page 123

Matching Solaris sun lounger:
Starting on page 182



SOLARIS CHAIR		
Designation	With backrest	
	Item no.	
Bamboo Savanna	5479039	
Dark Bamboo	5478539	

Unassembled: Slats included



Comfort meets Design. The bamboo seating surface of the Solaris stool offers pleasant warmth all year round.

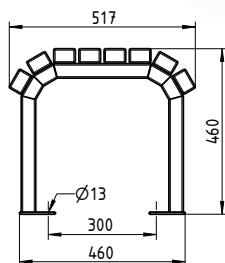
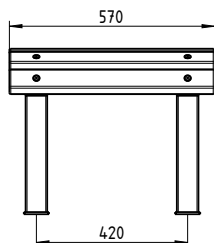
- Curved seat made of 8 slats, 60 x 40 mm. Slats screwed together with countersunk screws
- Fixed version including fixing holes
- Tube metal legs, 60 x 40 mm, colour: RAL 7016 Anthracite Grey
- Dimensions (W x L x H): 570 x 517 x 460 mm

Matching Solaris table:
Starting on page 124

Matching Solaris chair:
Starting on page 122

Matching Solaris bench:
Starting on page 50

Matching Solaris sun lounger:
Starting on page 182



SOLARIS STOOL		
Designation	Without backrest	
	Item no.	
Bamboo Savanna	5479139	
Dark Bamboo	5478639	

Unassembled: Slats included



SOLARIS TABLE

Comfort meets Design. Our Solaris table is the perfect way to complete your seating group. For restful moments in the open air.

- Table surface made of 11 slats, 60 x 40 mm. Slats screwed together with countersunk screws
- Fixed version including fixing holes
- Tube metal legs, 60 x 40 mm, colour: RAL 7016 Anthracite Grey
- Dimensions (W x L x H): 727 x 1,800 x 800 mm

Matching Solaris bench:

Starting on page 50

Matching Solaris chair:

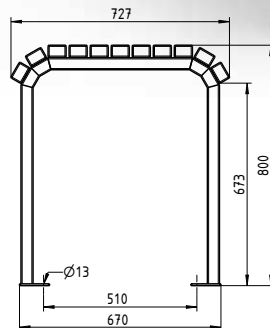
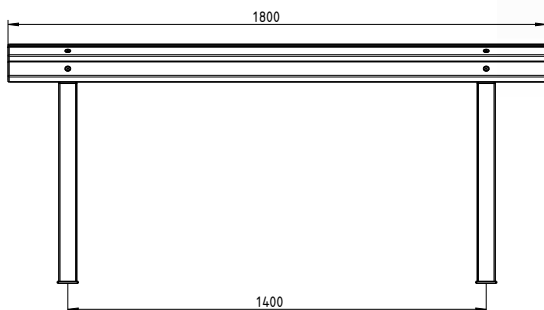
Starting on page 122

Matching Solaris stool:

Starting on page 123

Matching Solaris sun lounger:

Starting on page 182



SOLARIS TABLE		
Designation	Fixed	
	Item no.	
Bamboo Savanna	5478939	
Dark Bamboo	5478439	

Unassembled: Slats included



SOLARIS SUN LOUNGER
Savanna Bamboo
Page 182

SOLARIS BENCH WITH BACKREST
Savanna Bamboo
Page 50

SOLARIS BENCH WITHOUT BACKREST
Savanna Bamboo
Page 50

SOLARIS TABLE
Savanna Bamboo
Page 124



STOOL HARMONY

The ease of seating.

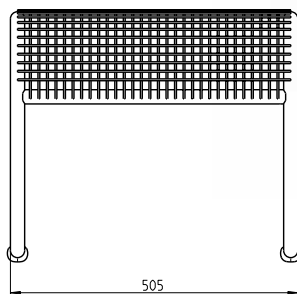
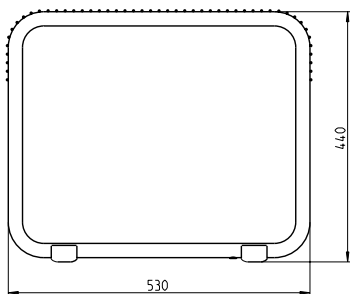
- Full seat surface with wire mesh and round tube, diameter 25 mm
- Grid 15 x 15 mm, wire thickness 3.3 mm
- Top wires transverse to the direction of seating
- Vortex-sintered in polyamide Rilsan, coating thickness min. 350 µm

Matching benches

On page 48

Matching waste containers:

From page 142



STOOL HARMONY

Designation	Mobile	
	Article no.	
Stool Harmony	54000..*	



4-6 weeks

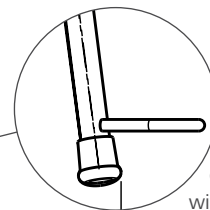
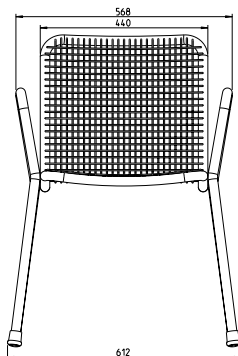
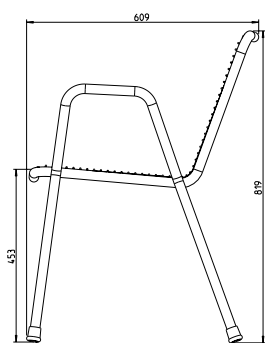
Choice of RAL colour on request



CHAIR OFFENBURG

Alone or in a group. The interpretation of the chair.

- All seat and back surfaces with wire mesh and round tube, diameter 25 mm
- Legs, also as armrests, made of round tube, diameter 25 mm. Grid 15 x 18 mm, wire thickness 3.3 mm
- Stackable
- Top wires transverse to the direction of seating. Wire mesh chair, vortex-sintered in polyamide Rilsan, coating thickness min. 350 µm
- Dimensions: (W x D x H) 612 x 611 x 816 mm, seat height 455 mm. Weight: 9 kg
- Leg caps for Offenburg
- For chair legs in diameter 25 mm, made of black PVC plastic
- Leg cap with larger contact surface to prevent sinking



Chair Offenburg with row connectors

CHAIR OFFENBURG		
Designation	Mobile	
	Article no.	
Without row connector	58021..*	
With row connector	53234..*	
Spare part leg cap, 20 pcs, black	5008263	



Black leg cap



TABLE MENSA

Versatile and elegant.

- Harmony table surface made of wire mesh and round tube, diameter 38 mm
- Grid 15 x 15 mm, wire thickness 3.3 mm
- Vortex-sintered with polyamide Rilsan, coating thickness min. 350 µm

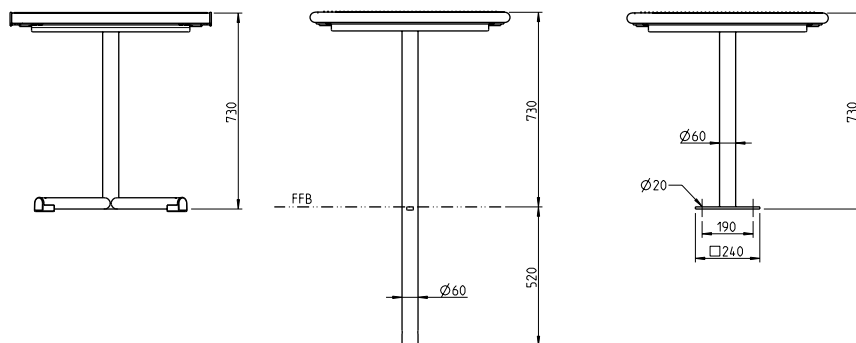
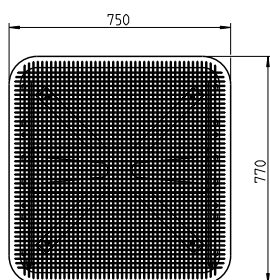


TABLE MENSA						
Designation	Mobile		Stationary		With ground plate FP0	
	Article no.		Article no.		Article no.	
Wire mesh Harmony	54148.*		-		-	

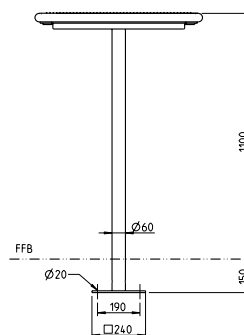
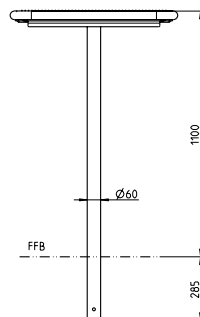
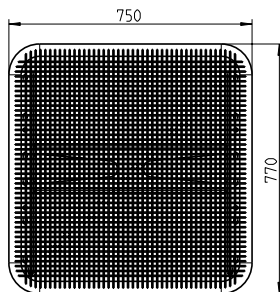




BAR TABLE MENSA

Versatile and elegant.

- Harmony table surface made of wire mesh and round tube, diameter 38 mm
- Grid 15 x 15 mm, wire thickness 3.3 mm
- Vortex-sintered with polyamide Rilsan, coating thickness min. 350 µm



BAR TABLE MENSA				
Designation	Stationary		With ground plate FP150	
	Article no.		Article no.	
Wire mesh Harmony	-		-	



4-6 weeks

Choice of RAL colour on request



ENOVA HIGH SEAT

Versatile and elegant.

- Round tube leg, diameter 60 mm (D60) **OR** square leg, 50 x 50 mm
- Hot-dip galvanised leg

Matching Mensa high table:
on page 129

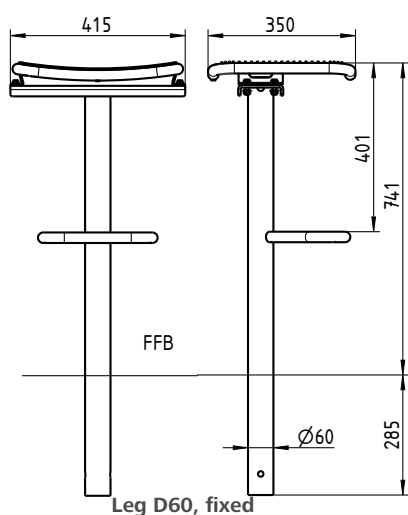
Matching Siena table:
on page 134



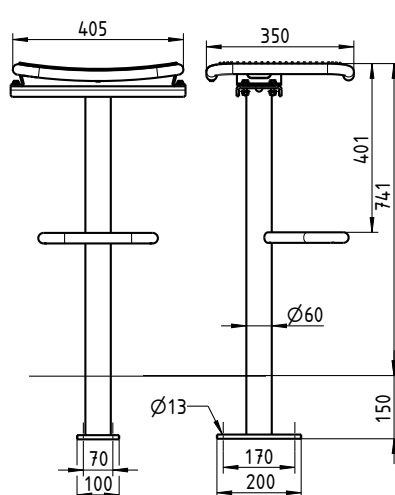
D60



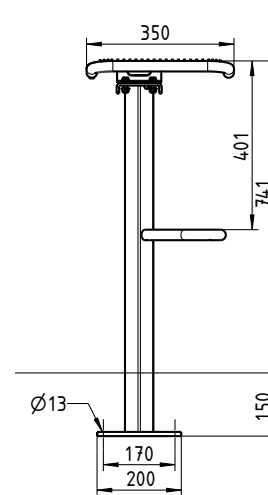
50 x 50 mm



Leg D60, fixed



Leg D60, FP150



Leg 50x50, FP150

LEG FOR ENOVA HIGH SEAT				
Designation	Fixed		With base plate FP150	
	Item no.		Item no.	
Leg D60	5479217		5479317	
Leg 50x50	5479417		5479517	



Multi seat shell
Item no. 53709..*



Sedia seat shell
Item no. 53710..*



Topsit wire mesh seat shell without backrest
Item no. 53718..*



Topsit wire mesh seat shell with backrest
Item no. 53697..*



Topsit Pagholtz seat shell without backrest
Item no. 53719..*



Allegro seat shell
Item no. 53696..*



SELECT THE RIGHT SEAT SHELL FOR YOU AND CREATE YOUR OWN COLOURFUL VARIETY!

You can find all seats on page 221



TABLE TABULA HARMONY

Versatile and elegant.

- Harmony table surface made of wire mesh and round tube, diameter 38 mm
- Grid 15 x 15 mm, wire thickness 3.3 mm
- Grid compressions for seat places and stabilisation
- Table area vortex-sintered with polyamide Rilsan, coating thickness min. 350 µm
- Leg set made of round tube, diameter 38 mm
- Round tube crossbar 38 mm
- The legs are fully hot-dip galvanised and powder-coated

Matching bench Siesta Harmony

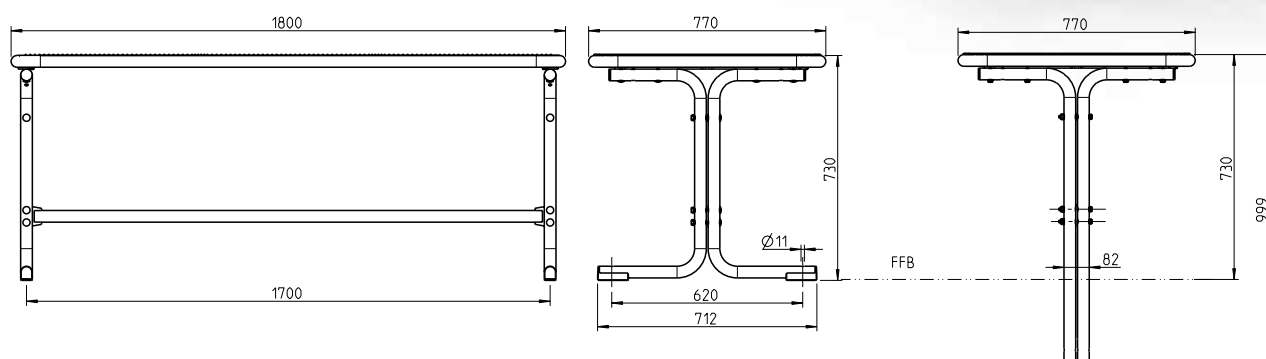
On page 52

Matching bench Charisma Harmony

On page 56

Matching bench Piazza Plus Harmony

On page 58



TABULA HARMONY				
Designation	Mobile		Stationary	
	Article no.		Article no.	
Wire mesh 1,800 mm	54153.*		54154.*	
Wire mesh 1,200 mm	54155.*		54156.*	





TABLE TABULA STYLE

Versatile and elegant.

- Table frame made of laser-cut mouldings and round tube, diameter 38 mm
- The frame and legs are hot-dip galvanised and powder-coated on the stationary design
- Use of different materials to choose from
- Leg set made of round tube, diameter 38 mm
- Round tube crossbar 38 mm

Matching bench Siesta Style

On page 53

Matching bench Charisma Style

On page 57

Matching bench Piazza Plus Style

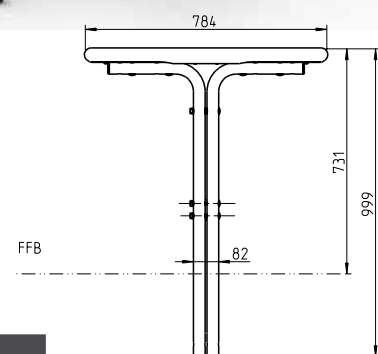
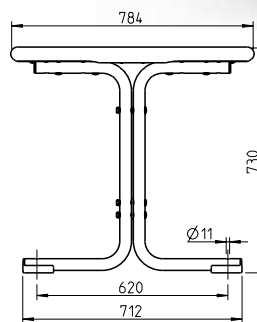
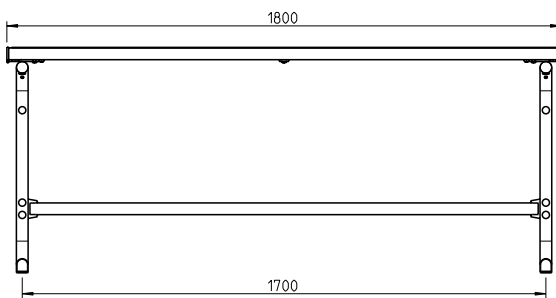
On page 59



DARK BAMBOO



ACCOYA



TABULA STYLE				
Designation	Mobile		Stationary	
	Article no.		Article no.	
Wire mesh	-		-	
Dark bamboo	-		-	
Bamboo Savanna	-		-	
Recycled plastic	-		-	
Pagwood	-		-	
Accoya	-		-	
Solid top	-		-	



TABLE SIENA MAXI HARMONY

Comfortable, sturdy and robust.
Also suitable for harsher applications.

- Harmony table surface made of wire mesh and round tube, diameter 38 mm
- Grid 15 x 15 mm, wire thickness 3.3 mm
- Grid compressions for seat places and stabilisation
- Table area vortex-sintered with polyamide Rilsan, coating thickness min. 350 µm
- L-shaped square leg 50 x 50 mm, fully hot-dip galvanised

Matching bench Siena Harmony
 On page 68

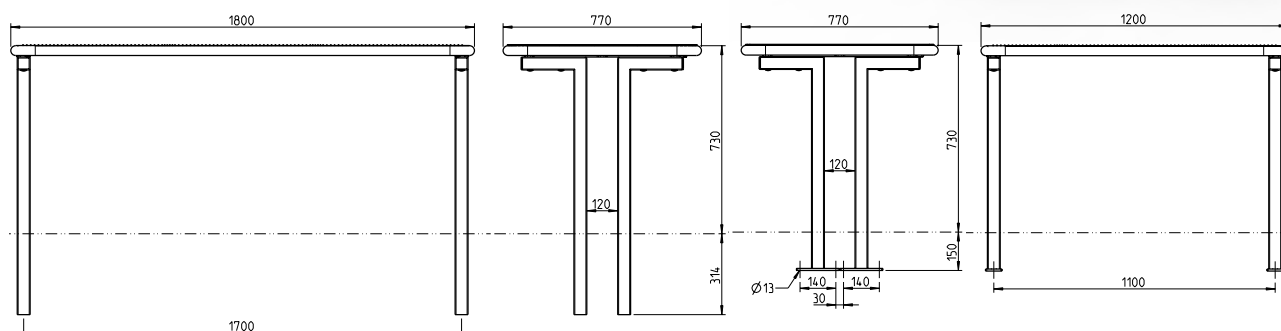


TABLE SIENA MAXI HARMONY					
Designation	Stationary		FP 150		FP 0
	Article no.		Article no.		
Wire mesh 1,800 mm	54150..*		-		-
Wire mesh 1,200 mm	-		-		-



TABLE BENCH **ACCESSIBLE**
 COMBINATIONS ARE POSSIBLE





TABLE SIENA MAXI STYLE

Comfortable, sturdy and robust.
Also suitable for harsher applications.

- Table frame made of laser-cut mouldings and round tube, diameter 38 mm
- The frame is hot-dip galvanised and powder-coated on the stationary design
- Use of different materials to choose from
- L-shaped square leg 50 x 50 mm, fully hot-dip galvanised

Matching bench Siena Style
 On page 69

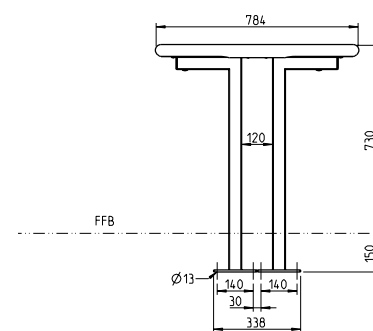
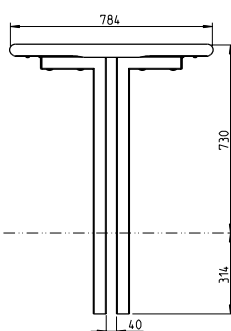
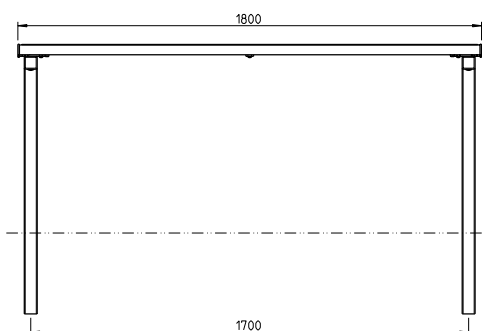


TABLE SIENA MAXI STYLE, 1,800 mm

Designation	Stationary		FP 150		FP 0	
	Article no.		Article no.			
Wire mesh	54150..*		-		-	
Dark bamboo	-		-		-	
Bamboo Savanna	-		-		-	
Recycled plastic	-		-		-	
Pagwood	-		-		-	
Accoya	-		-		-	



TABLE QUADRI MAXI HARMONY

Strong and streamlined. A table with an elegance captivated by its functionality and simplicity.

- Harmony table surface made of wire mesh and round tube, diameter 38 mm
- Grid 15 x 15 mm, wire thickness 3.3 mm
- Grid compressions for seat places and stabilisation
- Table area vortex-sintered with polyamide Rilsan, coating thickness min. 350 µm
- Leg made from laser-cut mouldings, angled and square design
- Mobile, drilled
- Fully hot-dip galvanised and powder-coated leg
- Round tube crossbar 38 mm, hot-dip galvanised and powder-coated
- Adaptation set to connect the table and leg sections



Matching bench Quadri Harmony

On page 62

Ground anchor set:

Article no.: 5006938

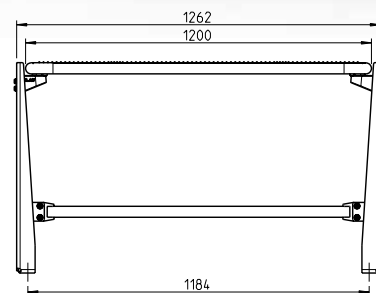
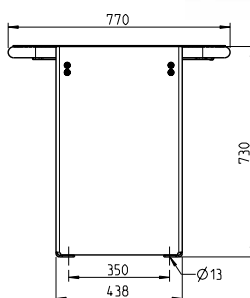
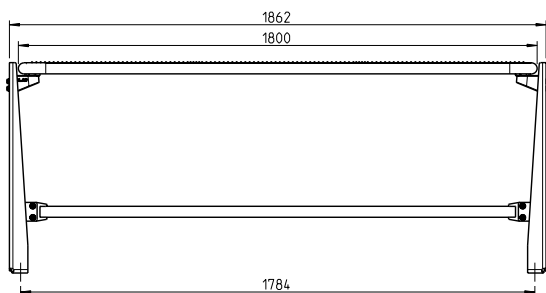


TABLE QUADRI MAXI HARMONY		
Designation	Mobile	
	Article no.	
Wire mesh 1,800 mm	-	
Wire mesh 1,200 mm	-	





TABLE QUADRI MAXI STYLE

Strong and streamlined. A table with an elegance captivated by its functionality and simplicity.

- Table frame made of laser-cut mouldings and round tube, diameter 38 mm
- The frame and legs are hot-dip galvanised and powder-coated on the stationary design
- Use of different materials to choose from
- Leg made from laser-cut mouldings, angled and square design
- Mobile, drilled
- Round tube crossbar 38 mm, fully hot-dip galvanised and powder-coated
- Adaptation set to connect the table and leg sections

Matching bench Quadri Style
On page 63

Ground anchor set:
Article no.: 5006938



RECYCLED PLASTIC



WIRE MESH

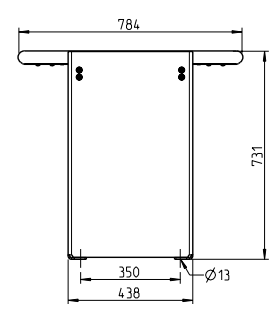
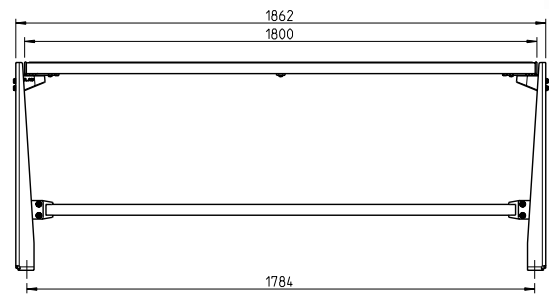


TABLE QUADRI MAXI STYLE, 1,800 mm

Designation	Mobile	
	Article no.	
Wire mesh	54151..*	
Dark bamboo	-	
Bamboo Savanna	54722..*	
Recycled plastic	54152..*	
Pagwood	-	
Accoya	-	



TABLE PRIMAVERA MAXI HARMONY

Light and friendly. Blends in harmoniously with its surroundings and always cuts a good figure.

- Harmony table surface made of wire mesh and round tube, diameter 38 mm
- Grid 15 x 15 mm, wire thickness 3.3 mm
- Grid compressions for seat places and stabilisation
- Round tube leg, V-shaped, diameter 38 mm
- Mobile with fixing tabs (must be anchored)
- Table area vortex-sintered with polyamide Rilsan, coating thickness min. 350 µm
- The legs are fully hot-dip galvanised and powder-coated
- Adaptation set to connect the table and leg sections

Matching bench Primavera Harmony

On page 60

Ground anchor set:

Article no.: 5006938

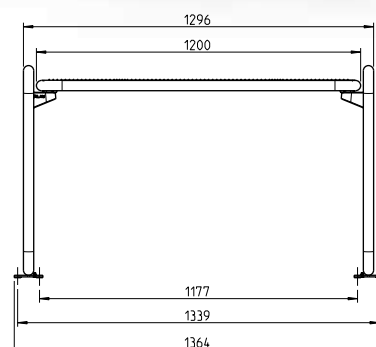
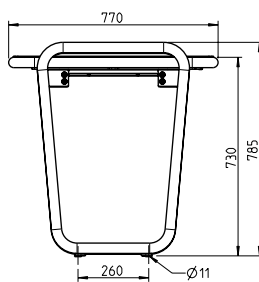
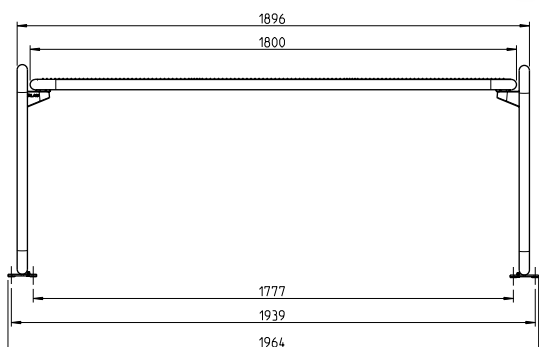


TABLE PRIMAVERA MAXI HARMONY		
Designation	Mobile	
	Article no.	
Wire mesh 1,800 mm	54149..*	
Wire mesh 1,200 mm	-	



TABLE BENCH **ACCESSIBLE**
COMBINATIONS ARE POSSIBLE



TABLE PRIMAVERA MAXI STYLE

Light and friendly. Blends in harmoniously with its surroundings and always cuts a good figure.

- Table frame made of laser-cut mouldings and round tube, diameter 38 mm
- The frame and legs are hot-dip galvanised and powder-coated on the stationary design
- Use of different materials to choose from
- Round tube leg, V-shaped, diameter 38 mm
- Mobile with fixing tabs (must be anchored)
- Adaptation set to connect the table and leg sections

Matching bench Primavera Style

On page 61

Ground anchor set:

Article no.: 5006938



RECYCLED PLASTIC



WIRE MESH

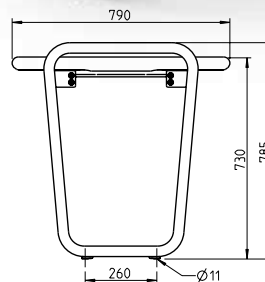
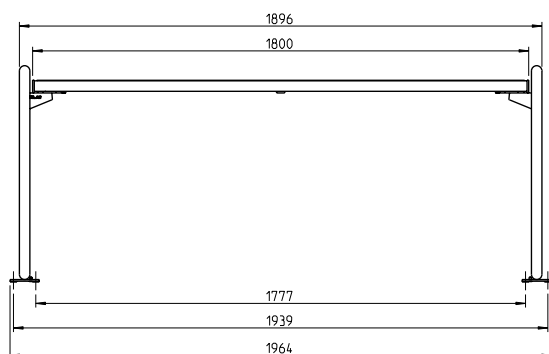


TABLE PRIMAVERA MAXI STYLE, 1,800 mm

Designation	Mobile	
	Article no.	
Wire mesh	-	
Dark bamboo	-	
Bamboo Savanna	54720..*	
Recycled plastic	54651..*	
Pagwood	-	
Accoya	54652..*	



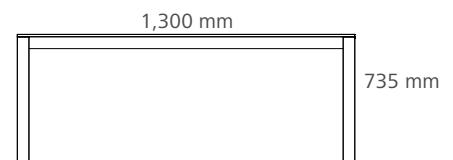
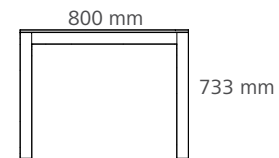
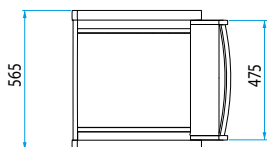
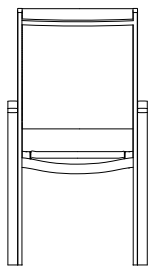
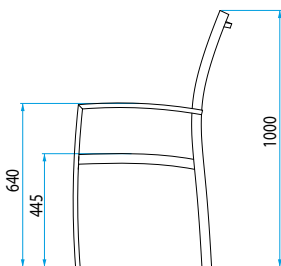
STACKING CHAIR / TABLE ETNA & BRUNEI

The perfect seat-table group for outdoor areas.

- **Stacking chair Etna**, raised rest with armrest
- Silver aluminium frame
- Seat and back surface covering in the colour cappuccino
- Stainless steel screws
- Seat height 445 mm



- **Stacking table Brunei** 80 x 80 cm or 130 x 80 cm
- Aluminium frame silver, HPL table top in silver



Only sold in Germany.

STACKING CHAIR ETNA WITH ARMREST (set of 4)

Designation	Mobile	
	Article no.	
Chair Etna	5007015	

STACKING TABLE BRUNEI

Designation	Mobile	
	Article no.	
Table 80 x 80 x 73.3 mm	5006983	
Table 130 x 80 x 73.5 mm	5006984	



FOLDING TABLE / PARASOL

Folding table with decorative top

- Rimless table top edge, weatherproof, acid-resistant, impact-resistant, ember-resistant and cold-resistant
- Elegant subframe with height-adjustable leg offers optimum stability
- The folding mechanism makes the tables easy to stow away and set up again afterwards
- Frame graphite, table top in slate look



Fibreglass parasol

- Parasol Ozean with stainless steel posts, bracing with eight, bendable/ flexible, 9 mm fibreglass rods.
- Covering made of exclusive, tear-resistant, anti-bacterial Balliu fabric
- To suit our lounge and chair coverings
- Fast drying, dirt- and UV-resistant
- All components are suitable for outdoor use and are extremely stable and can be easily replaced at any time
- 200 cm diameter, octagonal
- Dimensions when closed: 156.5 x 26 cm. Weight: 23.4kg



Only sold in Germany.

FOLDING TABLE WITH DECORATIVE TOP		
Designation	Mobile	
	Article no.	
Table 120 x 80 x 73 cm	5006134	
Table 165 x 95 x 73 cm	5006133	

PARASOL		
Designation	Mobile	
	Article no.	
Parasol cappuccino	5007388	



ERLAU® WASTE CONTAINERS



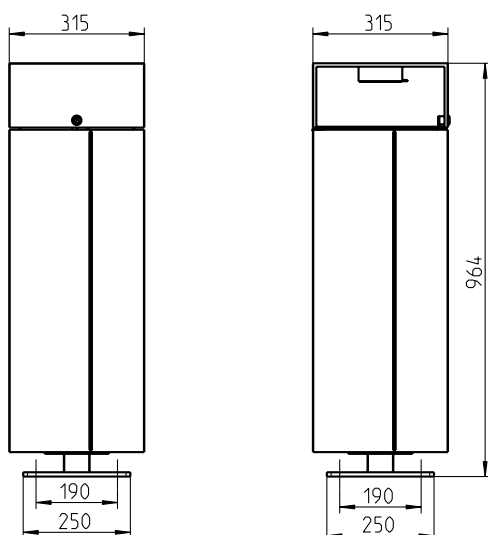




ERLAU® CityLine Merano

Waste container Merano. Edgy with character, but always well-rounded.

- Square-shaped waste container with ashtray and galvanised inner container
- Mobile with drilled hole for fixing
- Capacity 50 litres
- Lockable container
- Hot-dip galvanised and powder-coated body
- Waste container dimensions (W x D x H): 315 x 315 x 964 mm
- Inner container dimensions (W x D x H): 250 x 250 x 670 mm



WASTE CONTAINER MERANO

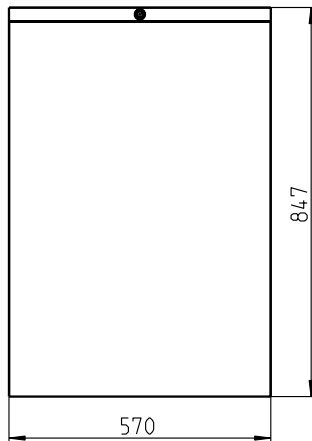
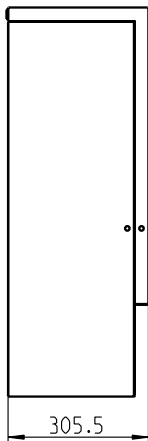
Designation	Mobile	
	Article no.	
Waste container	54572..*	



ERLAU® CityLine Sirolo

Waste container Sirolo. Why not go bigger? This bin swallows up larger quantities.

- Rectangular-shaped waste container with galvanised inner # container
- Mobile with drilled hole for fixing
- Capacity 80 litres
- Lockable container
- Hot-dip galvanised and powder-coated body
- Waste container dimensions (W x D x H): 570 x 305 x 847 mm
- Inner container dimensions (W x D x H): 500 x 220 x 670 mm



WASTE CONTAINER SIROLO		
Designation	Mobile	
	Article no.	
Waste container	54573..*	

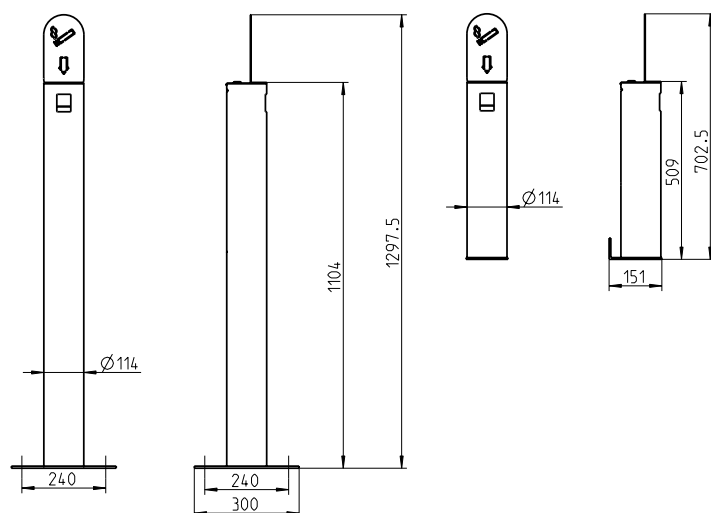


ERLAU® CityLine Fumo

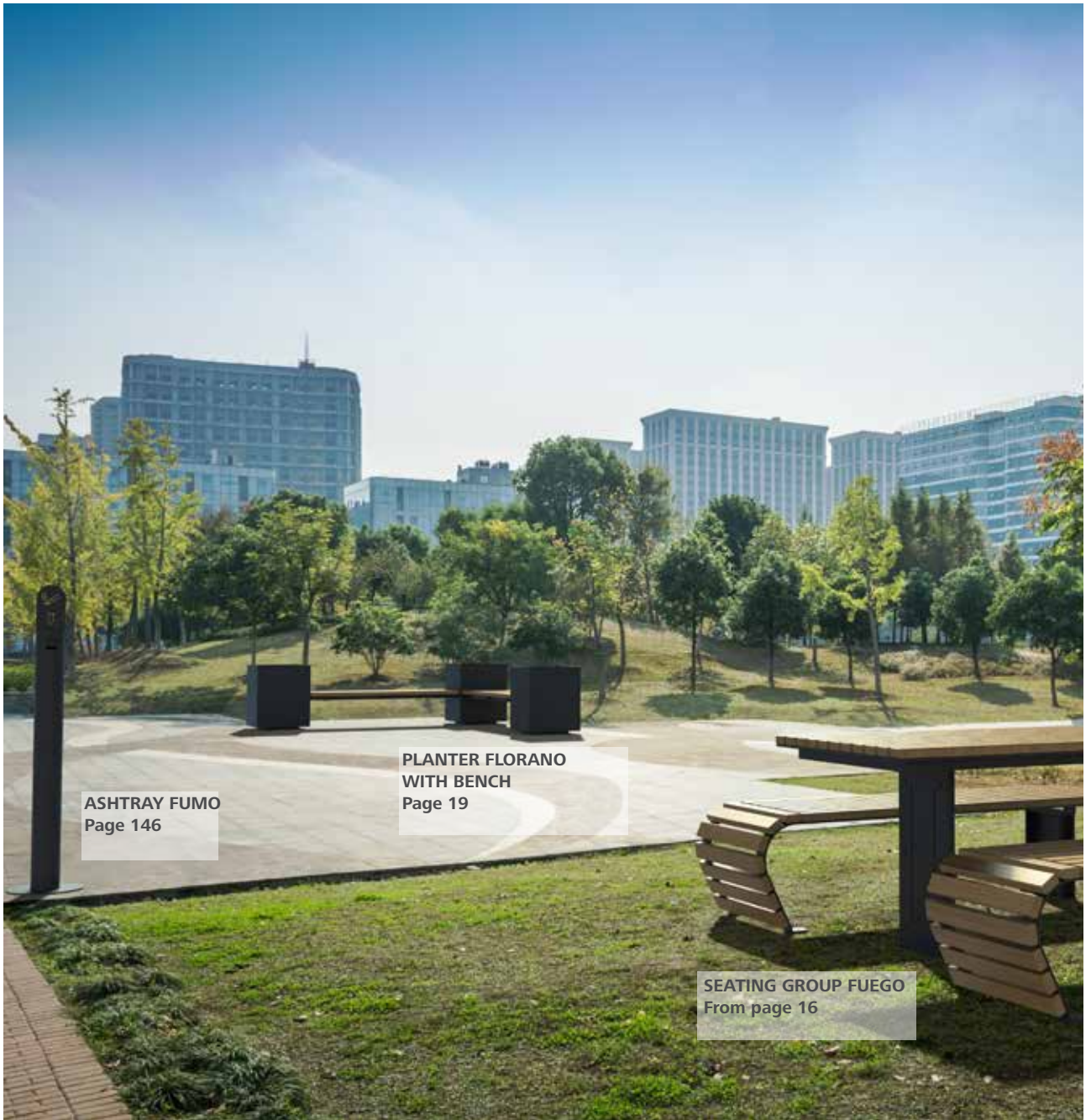
Ashtray Fumo.

Elegant and clear in form and function.

- Ashtray made of round tube
- Stationary with fixing plate (FPO) or fixed to the wall
- Made of brushed stainless steel or hot-dip galvanised and powder-coated steel
- Inner ash container lockable and removable for easy emptying
- Dimensions, stationary (W x H): 114 x 1,298 mm
- Dimensions, wall fixing (W x H): 114 x 703 mm



ASHTRAY FUMO				
Designation	FPO		Wall	
	Article no.		Article no.	
Ashtray VA	5457424		5457524	
Ashtray colour	54574..*		54575..*	



ASHTRAY FUMO
Page 146

PLANTER FLORANO
WITH BENCH
Page 19

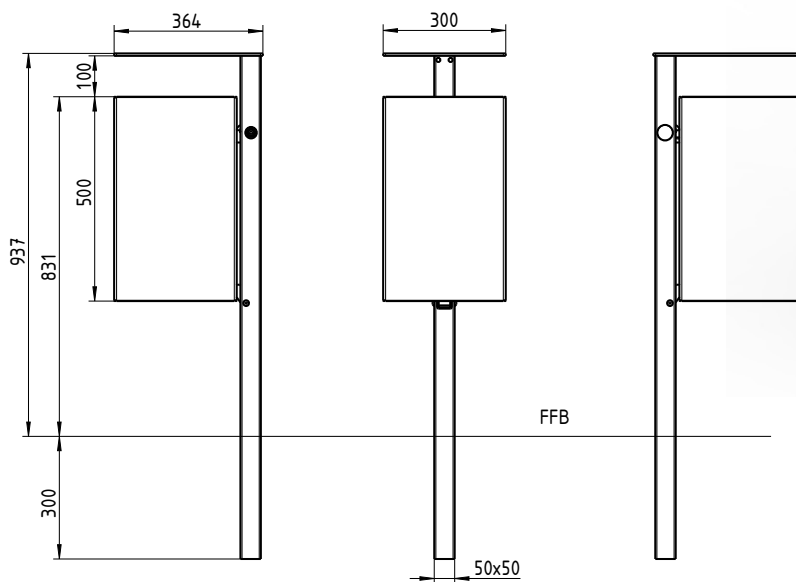
SEATING GROUP FUEGO
From page 16



VASURA QUADRI

Vasura Quadri waste container, 45 litres.

- 45-litre waste container. Container can be swivelled, unhooked and locked with an 8 mm triangular lock
- Container width 300 mm
- Stand 50 mm
- Completely hot-dip galvanised or hot-dip galvanised and powder-coated
- Design with cover



VASURA 45 L		
Designation	Fixed with cover	
	Item no.	
Without inner container, coated	54778..*	
Without inner container, hot-dip galvanised	5477817	

ACCESSORIES		
Designation	Item no.	
Inner container, 45 litres, galvanised	5008256	
Inner container, 45 litres, stainless steel	5008257	



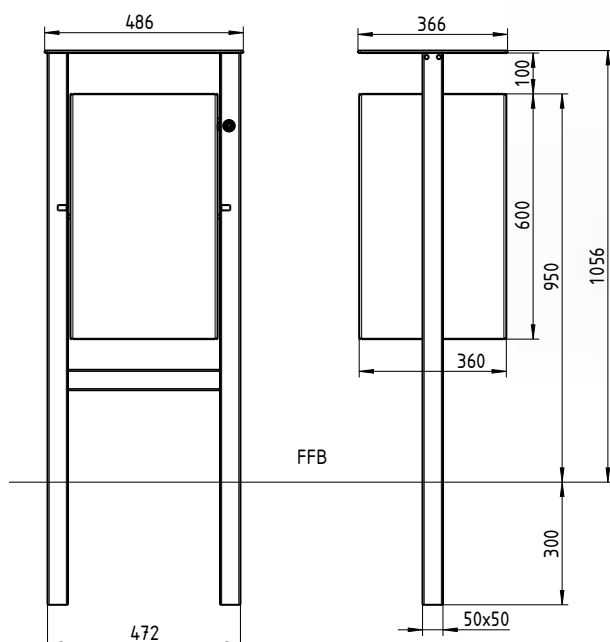
Quick delivery range: From stock / additional colours on request



VASURA QUADRI

Vasura Quadri waste container, 80 litres.

- 80-litre waste container. Container can be swivelled, unhooked and locked with an 8 mm triangular lock
- Container width 360 mm
- Stand 50 mm
- Completely hot-dip galvanised or hot-dip galvanised and powder-coated
- Design with cover



WASTE CONTAINERS & ASHTRAYS

VASURA 80 L

Designation	Fixed with cover	
	Item no.	
Without inner container, coated	54780..*	
Without inner container, hot-dip galvanised	5478017	

ACCESSORIES

Designation	Item no.	
Inner container, 80 litres, galvanised	5008258	
Inner container, 80 litres, stainless steel	5008259	



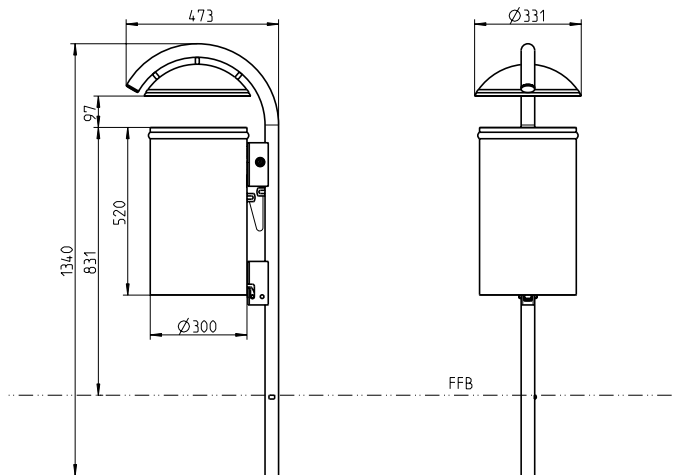
Quick delivery range: From stock / additional colours on request



VASURA 35 LITRES

Waste container 35 litres.

- Waste container 35 litres Container can be swivelled, unhooked and locked with an 8 mm triangular lock
- Container diameter 300 mm
- Round tube leg 42 mm
- Optionally with inner container
- Fully hot-dip galvanised or hot-dip galvanised and powder-coated
- Design with and without cover / ashtray
- Ashtray made of aluminium, stainless steel perforated sheet insert



VASURA 35 LITRES WITHOUT ASHTRAY		
Designation	Stationary with cover	
	Article no.	
Without inner container, coated	54341..*	
Without inner container, hot-dip galvanised	5434117	

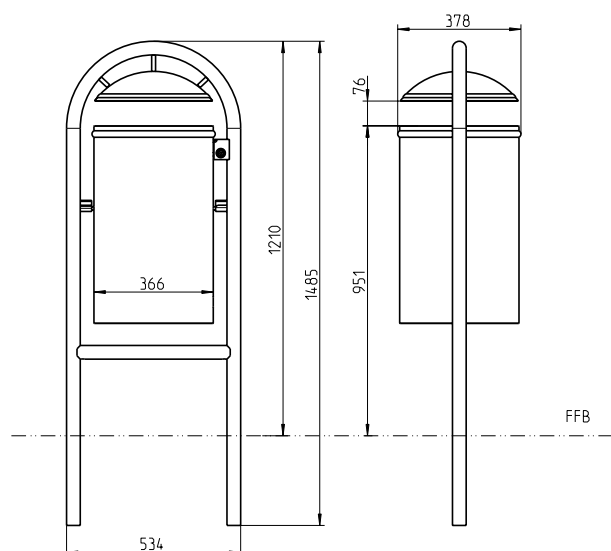
ACCESSORIES		
Designation	Mobile	
	Article no.	
Inner container 35 l	501429	



VASURA 60 LITRES

Waste container 60 litres.

- Waste container 60 litres Container can be swivelled, unhooked and locked with an 8 mm triangular lock
- Container diameter 366 mm
- Round tube leg 42 mm
- Optionally with inner container
- Fully hot-dip galvanised or hot-dip galvanised and powder-coated
- Design with and without cover / ashtray
- Ashtray made of aluminium, stainless steel perforated sheet insert



VASURA 60 LITRES WITHOUT ASHTRAY		
Designation	Stationary with cover	
	Article no.	
Without inner container, coated	54351..*	
Without inner container, hot-dip galvanised	5435117	

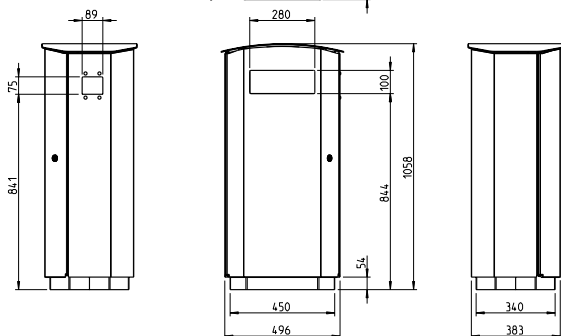
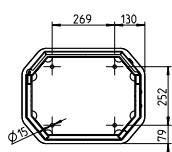
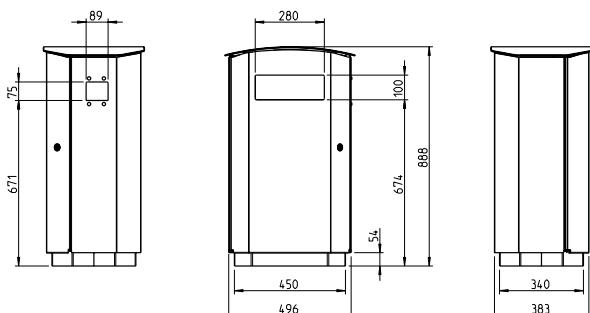
ACCESSORIES		
Designation	Mobile	
	Article no.	
Inner container 60 l	501431	



CAMBIO

Waste containers 60 and 90 litres

- Octagonal container made of steel sheet, thickness 2 - 4 mm
- Container completely made of metal, inner frame for additional reinforcement and stability, square tube 40 x 20 mm
- With inner container and 7 mm square lock, self-locking with inner emergency opening
- Fully hot-dip galvanised and powder-coated body
- Inner container made of galvanised steel sheet
- Ashtray can be retrofitted



ACCESSORIES CAMBIO

Designation	Mobile	
	Article no.	
Keys (set of 10)	5007108	
Inner container 60 l	5304917	
Inner container 90 l	5298017	
Ashtray insert (for retrofitting)	5305924	

Ashtray insert



CAMBIO WITH INNER CONTAINER

Designation	60 litres		90 litres	
	Article no.			
Cambio 60 litres RAL 9006 White aluminium	5349941		5355141	
Cambio 60 litres Metallic grey DB 703	5349943		5355143	



COMMUNITY & TOPSY

Waste container Community 110 litres

- Outer jacket made of extremely durable, heat- and cold-resistant, completely solid-coloured Durapol polyethylene
- Galvanised steel inner container, 110 litres, with handles
- To empty, only the 3-edge lock has to be opened and the upper part lifted off
- Height: 1,072 mm (without additional equipment)
- Diameter: 500 mm (without additional equipment)
- Weight: 15.5 kg (without additional equipment)
- Additional equipment available, e.g. - ashtray - fire extinguisher plate - additional weight - ...



Waste container Topsy 90 litres.

- Made of extremely durable, heat- and cold-resistant, completely solid-coloured Durapol polyethylene
- To empty, simply insert a key and lift off the complete, light, coloured upper part, then the galvanised inner container can be easily lifted off the lower part using the ergonomically shaped handles, which is easy on the back
- Height: 1,000 mm (without additional equipment)
- Diameter: 545 mm (without additional equipment)
- Weight: 18 kg (without additional equipment)
- Additional equipment available, e.g. - ashtray - fire extinguisher plate - additional weight - ...



More colours on request.

Only sold in Germany.

COMMUNITY 110 LITRES		
Designation	Mobile	
	Article no.	
Millstone	5007030	

TOPSY 90 LITRES

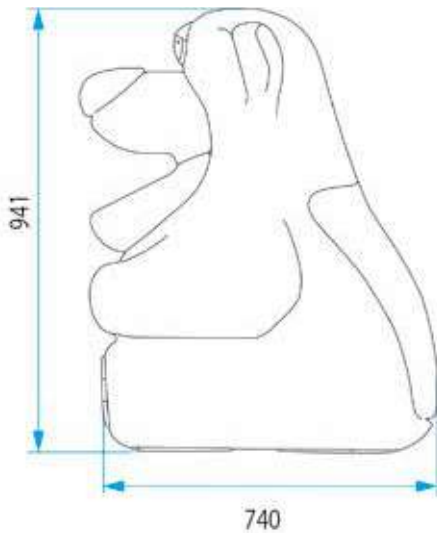
Designation	Mobile	
	Article no.	
Red with 3-part ashtray	5006174	
Basalt grey with 2-part ashtray	5006175	



BÄRCHEN

Waste container Bärchen 52 litres.

- Waste container made of completely solid-coloured, heat- and cold-resistant, extremely impact-resistant Durapol polyethylene and galvanised steel
- Lockable door in the back wall
- Commercially available refuse sacks can be fastened in the galvanised inner container, which is equipped with handles and is securely located behind a lockable back plate
- Ground fixing is easy using screws
- Capacity: 52 litres, height: 941 mm, width: 762 mm, depth: 740 mm, weight: 20 kg



Only sold in Germany.

BÄRCHEN 52 LITRES		
Designation	Mobile	
	Article no.	
Bärchen brown	5004948	



SMOKY SG

Pedestal ashtray Smoky SG 10 litres incl. lock, ground fixing bolts and cigarette symbol.

- Free-standing pedestal ashtray made of extremely durable, heat-, cold- and solvent-resistant solid-coloured Durapol
- Fully weather-resistant
- Curved top made of black anodised aluminium
- Cigarette extinguisher perforated plate made of high-gloss polished stainless steel
- Galvanised steel inner container with handles and SmokeGuard device that reduces afterglow of cigarette butts
- Dimensions (HxWxD): 1,030 x 270 x 210 mm



Wall ashtray Smoky SG 3 litres incl. lock, wall fixing bolts and cigarette symbol.

- Wall ashtray made of extremely durable, heat-, cold- and solvent-resistant solid-coloured Durapol
- Fully weather-resistant
- Curved top made of black anodised aluminium
- Cigarette extinguisher perforated plate made of high-gloss polished stainless steel
- 180° opening, removable door with integrated hinge
- Galvanised steel inner container with magnetic holder and handles with SmokeGuard device that reduces afterglow of cigarette butts
- Optionally with glass installation set (at a surcharge)
- Dimensions (HxWxD): 529 x 191 x 115 mm



Only sold in Germany.

STAND ASHTRAY SMOKY SG 10 L.		
Designation	Article no.	
Stand ashtray Smoky SG black	5005280	

WALL ASHTRAY SMOKY SG 3 L.		
Designation	Article no.	
Wall ashtray Smoky SG black	5005281	



SMOKY

Pedestal ashtray Smoky 4 litres incl. cigarette logo.

- Bolts for permanent fixing on concrete or cobblestones
- Model made of dark-grey polyester-coated steel or stainless steel
- Galvanised steel inner container
- Cigarette extinguisher perforated plate made of stainless steel
- Dimensions (HxWxD): 1,000 x 207 x 250 mm, weight: 13.5 kg



Wall ashtray Smoky 1.5 and 3 litres incl. cigarette logo.

- Incl. wall installation set
- With galvanised steel inner container
- Silver surface
- Door and extinguisher area made of anti-vandalism extruded aluminium
- Dimensions 1.5 litres (WxHxD): 154 x 328 x 98 mm, weight 2.2 kg
- Dimensions 3 litres (WxHxD): 300 x 328 x 98 mm, weight 3.6 kg



1.5 litre wall ashtray



3 litre wall ashtray

Only sold in Germany.

STAND ASHTRAY SMOKY 4 L.

Designation	Article no.	
Stand ashtray Smoky black-grey	501083	
Stand ashtray Smoky stainless steel	501602	

WALL ASHTRAY SMOKY 1.5 L AND 3 L.

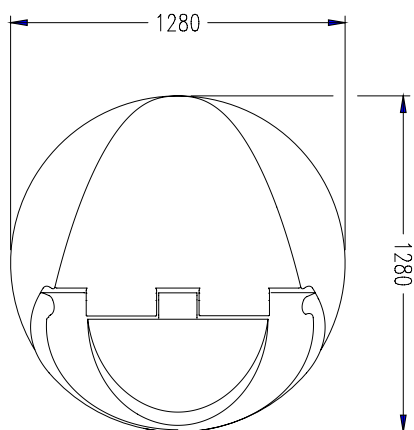
Designation	Article no.	
Wall ashtray Smoky 1.5 l.	5004874	
Wall ashtray Smoky 3.0 l.	501154	



ORBISTOR

Orbistor grit bin made of Durapol material, 800 litres.

- The Orbistor 800 litre grit bin is made of Durapol® material, which offers optimum stability.
- In addition, the joint and bar hinge is provided with a special reinforcement
- The grit container is impact resistant, weatherproof and easy to clean due to the materials used
- Water drainage channels prevent wet and caked material
- Optionally with lock device for padlocks



Only sold in Germany.

GRIT CONTAINER ORBISTOR 800 L.		
Designation	Mobile	
	Article no.	
Orbistor platinum grey	5007102	



ERLAU® DOGTOILETS & ACCESSORIES





DOG TOILET SAMMY

P. 160



DOG TOILET BALOU

P. 161



DOG WASTE BAG DISPENSER LUCKY P. 162



ACCESSORIES

P. 163



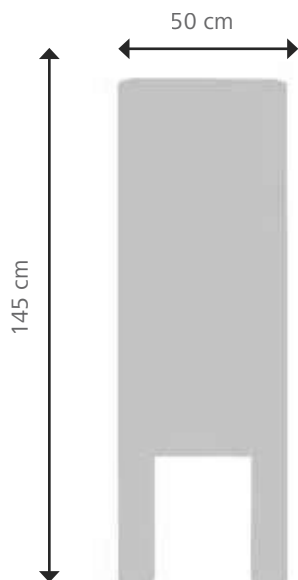
SAMMY DOG TOILET

The Sammy dog toilet.

The dog toilet in a new modern design with a combination of materials; stainless steel together with galvanised sheet steel with a powder coating guarantees durability and stability.


The lockable bag dispenser has an increased capacity of up to 1,000 dog waste bags. The modern colour choice in "Sable noir 100" adds a touch of elegance. The dog toilet is completely pre-assembled, making final assembly on site easy; the delivery includes an assembly kit with ground anchor, triangular key and detailed assembly instructions; all inscriptions can be personalised and are UV-resistant.

- Material: hot-dip galvanised sheet steel, powder-coated, combined with polished stainless steel
- Volume of waste bin: approx. 40 litres
- Filling volume bag dispenser: up to 1,000 bags
- Lock: with triangular lock
- Dimensions: height 145 cm, width 50 cm, depth 25 cm, weight: 45 kg



SAMMY DOG TOILET		
Designation	Portable	
	Item no.	
Sammy Dog Toilet	5008275	

Sticker can be personalised on request

Possible colours:  Sable noir 100 + stainless steel

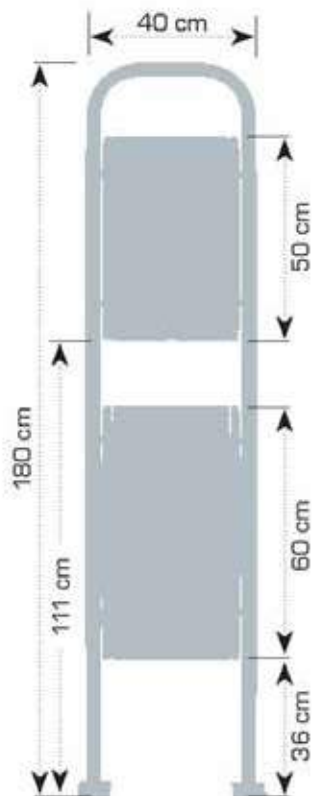


BALOU DOG TOILET

The Balou dog toilet.

The model with swing lid is a proven complete system with a practical waste bag dispenser and integrated waste bin. The ingenious combination of functionality, quality and design impresses with its ease of use, outstanding visibility and long service life.

- Material: hot-dip galvanised sheet steel, powder-coated; optional: polished stainless steel
- Volume of waste bin: approx. 30 litres
- Filling volume bag dispenser: up to 500 bags
- Lock: with triangular lock
- Dimensions: width 40 cm, height 180 cm, depth 25 cm, weight: 35 kg



Sticker can be personalised on request



BALOU DOG TOILET

Designation	Portable	
	Item no.	
Balou Dog Toilet	54820..*	

Possible colours: **16** Moss green, similar to RAL 6005 **32** Micaceous iron oxide, similar to DB 703

21 Traffic white, similar to RAL 9016

24 INOX stainless steel 1.4301

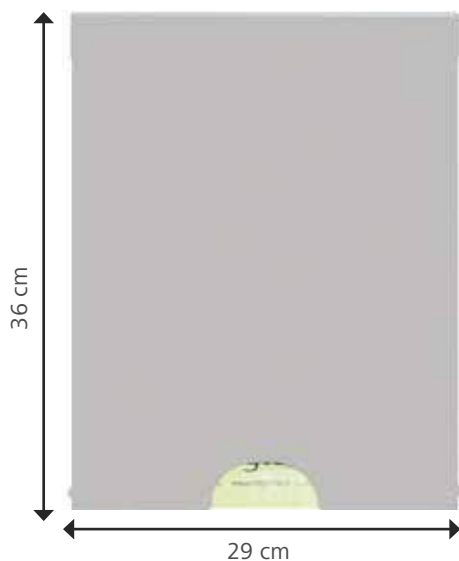


LUCKY DOG WASTE BAG DISPENSER

The Lucky bag dispenser.

This bag dispenser is suitable for mounting on the wall or as a set including a mounting device for fixing the dispenser to pillars, trees or round posts. The Lucky bag dispenser is available as standard in the colours traffic white, moss green, micaceous iron oxide, pure orange, traffic red and polished stainless steel and can also have personalised inscriptions on request. The scope of delivery for the basic model includes the bag dispenser, a matching triangular key and the fastenings for wall mounting.

- Material: bag dispenser made of hot-dip galvanised and powder-coated sheet steel; optional: polished stainless steel
- Filling volume bag dispenser: up to 300 bags
- Lock: with triangular lock
- Dimensions: width 29 cm, height 36 cm, depth 5.5 cm, weight: 3 kg
- Delivery: as basic model for wall mounting



Optional on request:
Mounting kit for mounting to pillars, trees or round posts Item no. 5008287

LUCKY BAG DISPENSER		
Designation	Portable	
	Item no.	
Lucky bag dispenser	54821..*	

Sticker can be personalised on request

Possible colours:

- 16 Moss green, similar to RAL 6005
- 32 Micaceous iron oxide, similar to DB 703
- 21 Traffic white, similar to RAL 9016
- 24 INOX stainless steel 1.4301
- 05 Pure orange, similar to RAL 2004
- 07 Traffic red, similar to RAL 3020



ACCESSORIES

Climateline dog bag

Climateline dog waste bags are produced in Europe in a carbon-neutral (compensated) process. The dog bags are of exceptional quality, are absolutely water- and tear-resistant and guarantee sustainable transport routes, as they are produced in the EU. The bags are packaged to allow the quick refilling of ERLAU dog toilet systems and are fitted with a practical tear-off system. The bags are made from recycled material and packed in boxes of 3,000.

- Material: recycled HDPE
- Packaging: carton with 3,000 bags
- Colour: red
- Material thickness: 15 microns – EXTRA STRONG
- Dimensions: 24 x 30 + 3 cm



HDPE dog bag

These dog waste bags are held together in blocks for the quick filling and refilling of ERLAU dog toilet systems and are perforated at the top for easy tear-off removal. The dog waste bags are supplied in convenient cartons containing 1,000 bags each

- Material: recycled HDPE
- Delivery: in a carton with 1,000 bags
- Colour: black



Eco dog bag

These dog waste bags are made in Europe from renewable sugar cane. Renewable raw material and short transport routes for the good of our environment. The dog waste bags are held together in blocks for the quick filling and refilling of ERLAU dog toilet systems and are perforated at the top for easy tear-off removal. The bags are absolutely tear-resistant and leak-tight, guaranteeing top quality. The dog bags are supplied in convenient cartons containing 3,000 bags each.

- Material: granulated sugar cane
- Delivery: in a carton with 3,000 bags
- Colour: blue
- Material thickness: 14 microns
- Dimensions: 24 x 30 + 3 cm

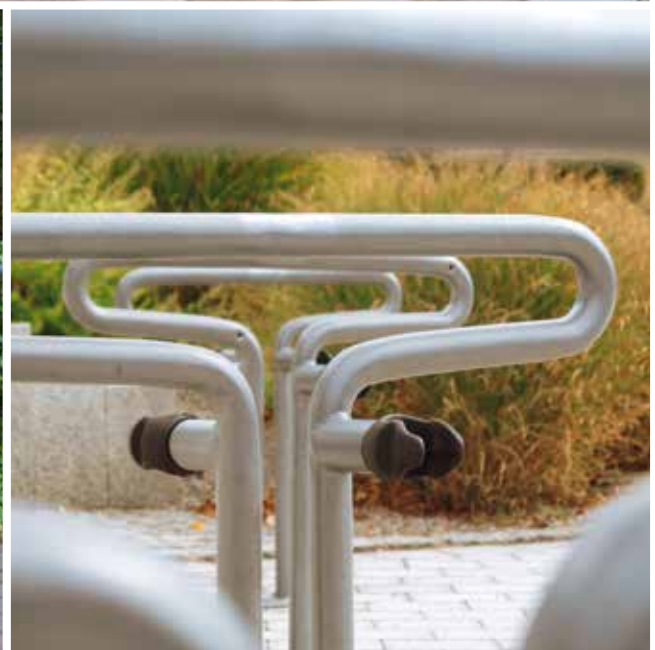


DOG WASTE BAGS

Designation	Item no.	
Climateline dog bag - 3,000 pcs / pack - bag colour red	5008276	
HDPE recycled dog bag - 1,000 pcs / pack - bag colour black	5008277	
Eco dog bag made from sugar cane - 3,000 pcs / pack - bag colour blue	5008278	



ERLAU® BICYCLE PARKING SYSTEMS





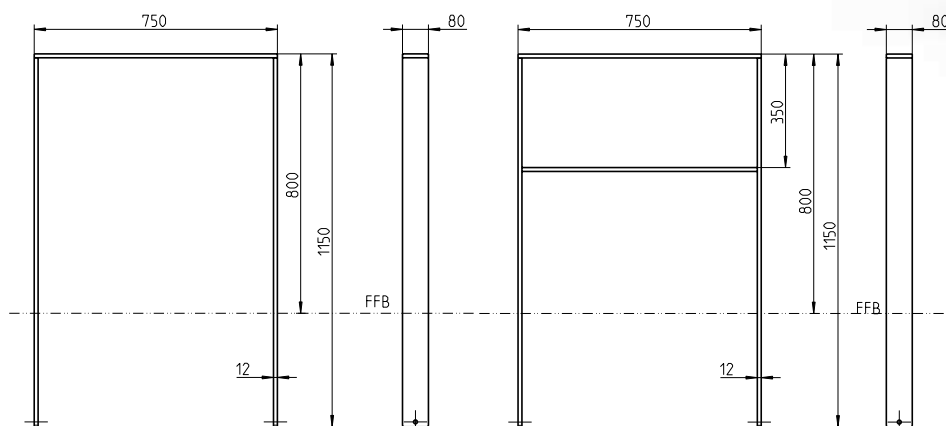
Application examples on page 173



REST PEDALO QUADRI

Streamlined and expressive.

- Bicycle rest bar made of flat steel, thickness 12 mm
- Stationary for setting in concrete
- Optionally with crossbar
- Fully hot-dip galvanised and powder-coated
- 750 x 800 x 80 mm



REST PEDALO QUADRI				
Designation	Without crossbar		With crossbar	
	Article no.		Article no.	
Powder-coated	54646..*		54649..*	

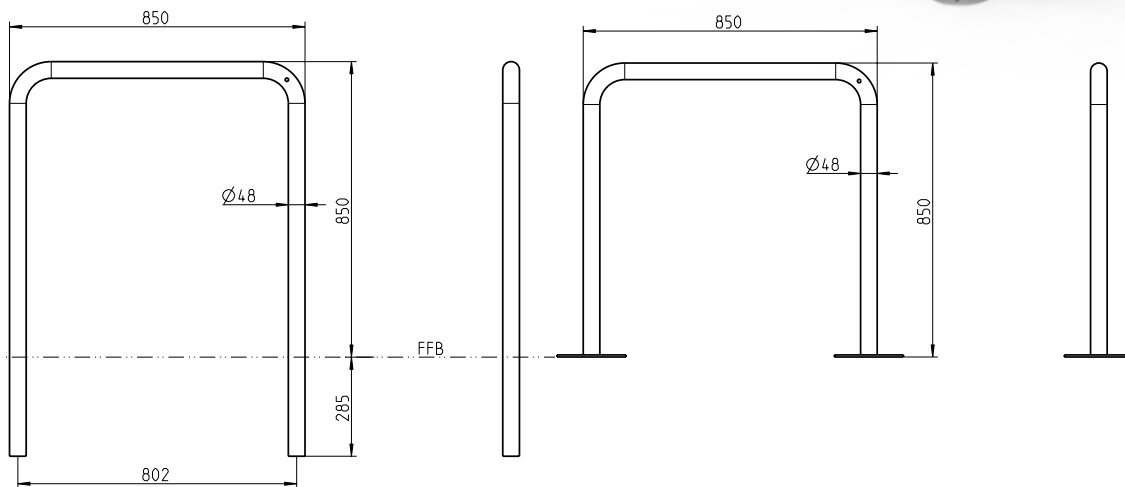




PEDALO REST

Curved bicycle rest bar.

- Stationary with fixing plate (FPO), stationary for setting in concrete, to suit ground sleeve
- Curved bicycle rest bar made of round tube, diameter 48 mm
- Fully hot-dip galvanised or hot-dip galvanised and powder-coated
- 850 x 850 mm



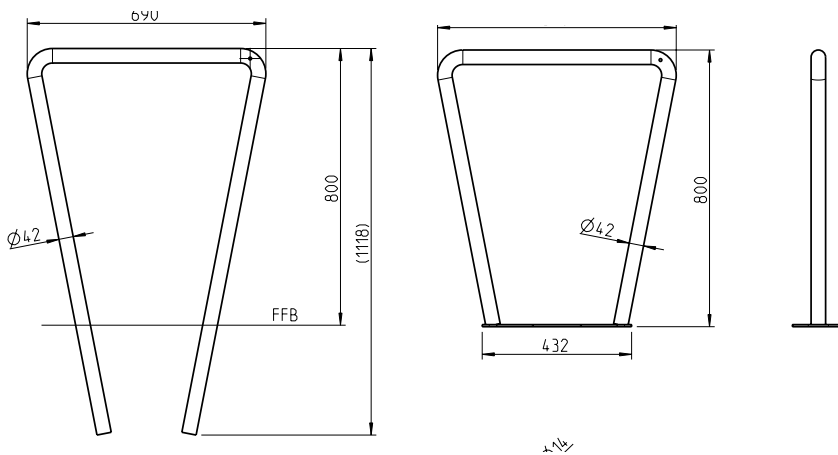
PEDALO REST			
Designation	Stationary for setting in concrete		Stationary with round base
	Article no.		Article no.
Hot-dip galvanised	5390917		5391017
Powder-coated	53909..*		53910..*



VIOLA

Trapezoidal bicycle stands.

- Trapezoidal bicycle stands made of round tube, diameter 42 mm
- Fully hot-dip galvanised or hot-dip galvanised and powder-coated
- 690 x 800 mm



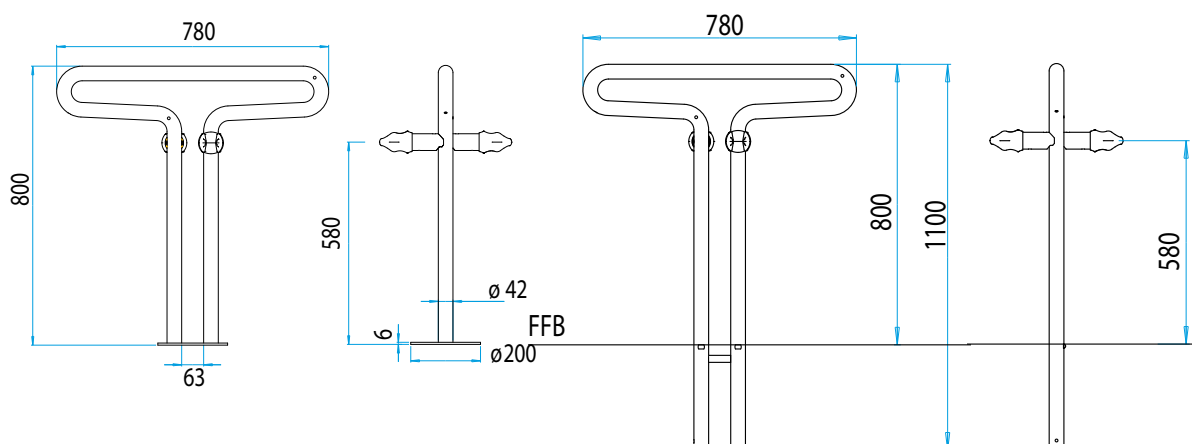
VIOLA				
Designation	Stationary for setting in concrete		Stationary with round base	
	Article no.		Article no.	
Hot-dip galvanised	5346917		5346817	
Powder-coated	53469..*		53468..*	



BERLIN REST BAR

Bicycle stands made of curved steel tube.

- Bicycle stand made of curved steel tube, diameter 42 mm
- With plastic gripper part for locking the bicycle frame
- For fixing two bikes, at a distance of 400 mm
- The bar provides additional anti-theft protection by means of a cable, chain or bar lock.
- Fully hot-dip galvanised or hot-dip galvanised and powder-coated



BERLIN REST BAR

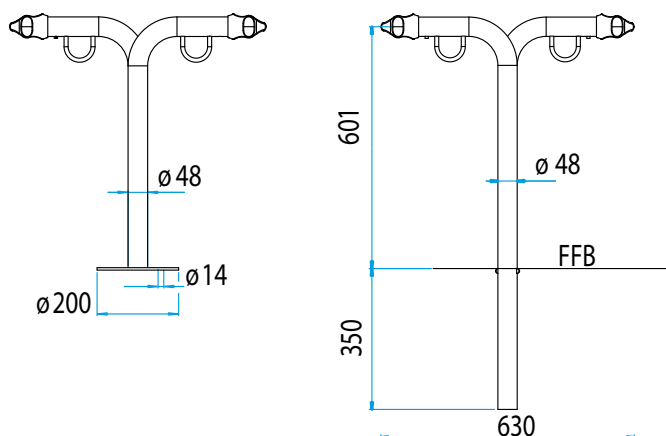
Designation	Stationary for setting in concrete		Stationary with round base	
	Article no.		Article no.	
Hot-dip galvanised	5228617		5219617	
Powder-coated	52286..*		52196..*	



PEDALO DUO

Bicycle stands made of curved steel tube.

- Bicycle stand made of curved steel tube, diameter 48 mm
- With plastic gripper part for locking the bicycle frame
- A round steel eyelet on the steel tube provides additional anti-theft protection by means of a cable, chain or bar lock
- For two bikes
- Fully hot-dip galvanised or fully hot-dip galvanised and powder-coated



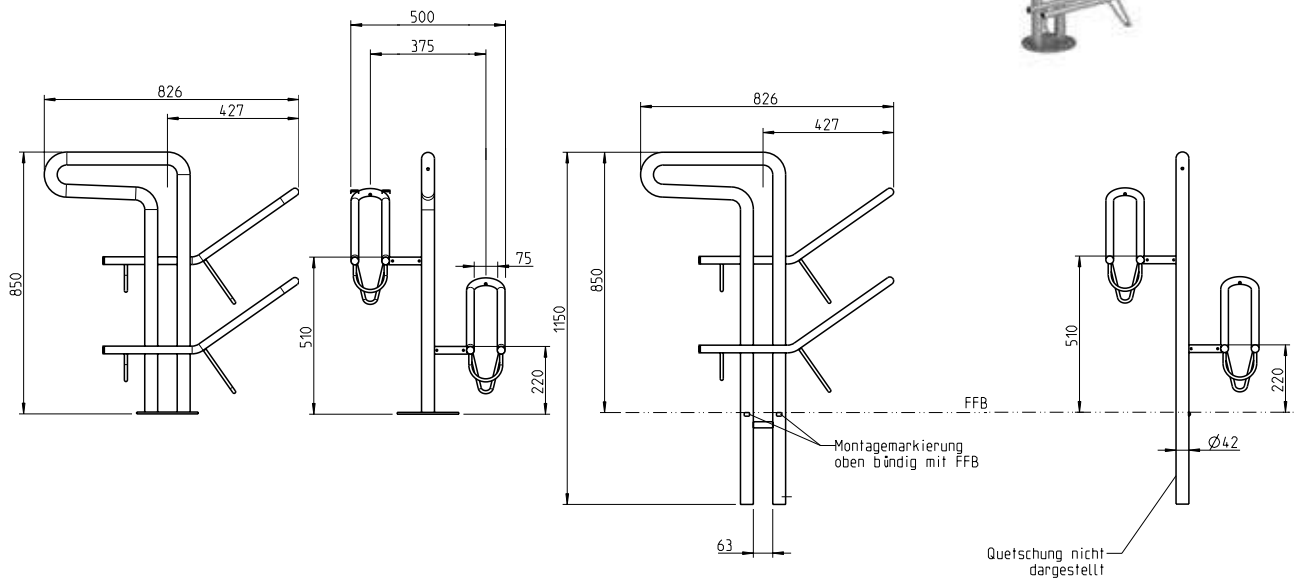
PEDALO DUO				
Designation	Stationary for setting in concrete		Stationary with round base	
	Article no.		Article no.	
Hot-dip galvanised	5323717		5183817	
Powder-coated	53237..*		51838..*	



VELOFOX

Bicycle stands made of curved steel tube.

- Bicycle stand made of curved steel tube, diameter 42 mm
- For fixing two bikes, at a distance of 375 mm
- With two adjustment loops for gentle guidance and fixation of the front wheel
- Centre bar for additional anti-theft protection of the front wheel and frame
- Fully hot-dip galvanised or hot-dip galvanised and powder-coated

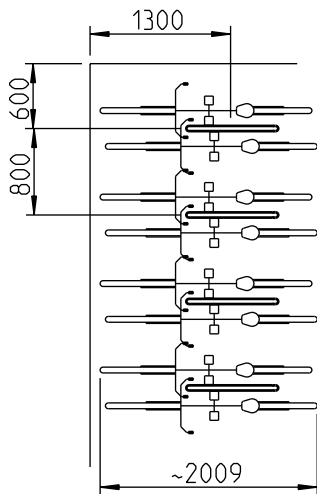


VELOFOX				
Designation	Stationary for setting in concrete		Stationary with round base	
	Article no.		Article no.	
Hot-dip galvanised	5236817		5228017	
Powder-coated	52368..*		52280..*	

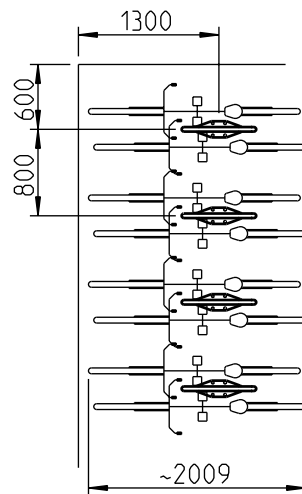


APPLICATION EXAMPLES

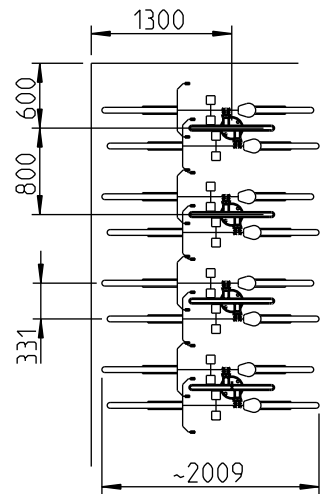
Pedalo rest



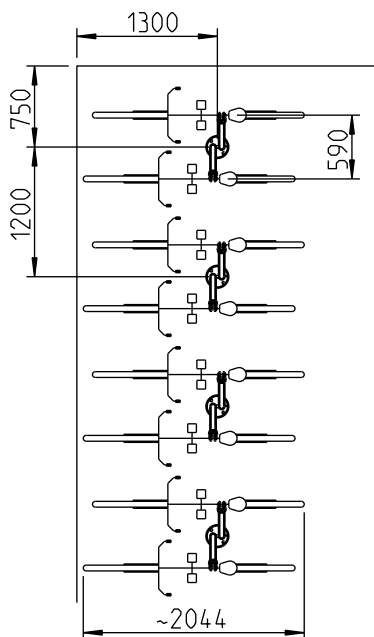
Viola



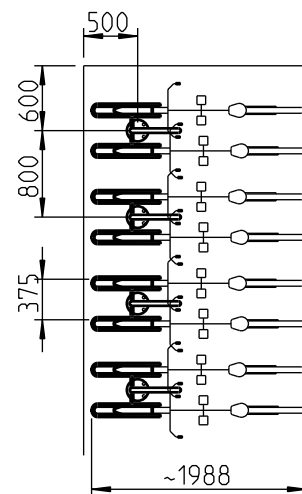
Berlin rest bar



Pedalo Duo



Velofox



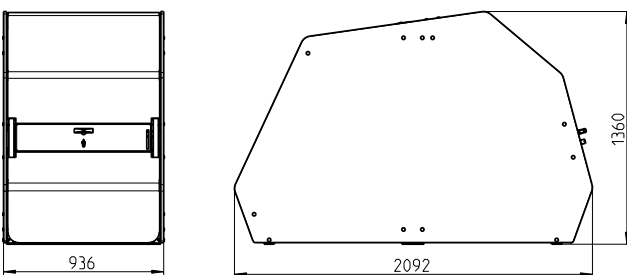
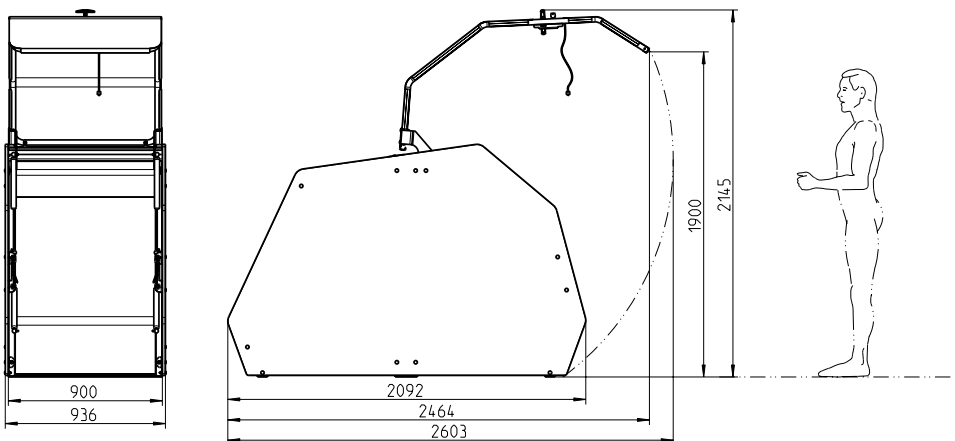
* Erlau planning examples. Legal planning/construction specifications on-site must always be observed.



ERLAU® PEDALO BIKE BOX

Pedalo bike box.

- Top cover made of galvanised and powder-coated sheet steel with all-round tubular frame Ø30 mm
- All load-bearing metal elements are hot-dip galvanised, not coated
- Two strong gas springs ensure easy opening and closing without force
- Side parts made of phenolic resin-coated birch plywood, glued boil-proof and weatherproof, thickness 18 mm
- Phenolic resin film coating in a coating thickness of 120g/m², colour similar to RAL 8022 (black-brown), film surface
- Prefabricated holes allow for convenient anchoring of the Pedalo® bike box to the floor
- Total height approx. 1360 mm (closed), total width of an element approx. 936 mm, total depth approx. 2092 mm
- Provides space for two bicycles, which can additionally be secured inside against theft
- Double locking with already integrated emergency opening (from the inside) for standard cylinder lock (30/10) provides additional security
- Attachment element offers the possibility of row arrangement
- Standard colours: Pure white, metallic grey, anthracite grey (other colours on request!)



PEDALO BIKE BOX ACCESSORIES

Designation	Article no.	
Single locking cylinder (10/30)	5007523	
Locking aid (cord)	5007537	
Power connection with 2 separately secured sockets	5007698	
Floor construction without plates	5387817	
Positioning legs (set of 2)	5007529	
Insert plate (40 x 40 x 3 cm) - 8x per box	5007612	
Bicycle pictogram	-	
Bicycle holder	5397617	
Adapter for bicycle lock	5008041	

PEDALO BIKE BOX

Designation	Article no.	
Basic element with sheet cladding	54323..*	
Attachment element with sheet cladding	54324..*	

Our solution:
PEDALO BIKE BOX
Your secure parking place.

PEDALO BIKE BOX PLACES OF USE

Hotels & restaurants

Each apartment room is allocated a bike box so that overnight guests can park their bikes safely and conveniently.

Museums, viewpoints & tourist attractions

In front of tourist destinations, the Erlau Pedalo bike box not only looks very good due to its design, but also offers visitors and cyclists the possibility to safely store their bike and luggage.

Train stations & transport stops

"Commuters" and "cyclists" who use both public transport and bicycles are offered the opportunity to park and charge their bikes at the same time.

Universities, educational facilities & libraries

There is often a lot of bicycle chaos in front of libraries, universities and educational facilities. Hirers of a bike box have the chance to rent a secure and comfortable parking space for their bike easily and inexpensively.

Lift stations, cable cars & downhill trails

For cyclists, tourists or extreme athletes, the lift ride up the mountain and a cup of coffee is a welcome change. In order to relax and enjoy it, it feels good to know that the bicycle is securely locked in the bike box.

Indoor & outdoor pools

It's awful if the bike is no longer there after a visit to the swimming pool. With the Pedalo bike box, the bike is safely stored until the end of the day and ready for the ride home.

Housing construction

In residential complexes, the bike box saves carrying the bike into the cellar; it can be conveniently stowed away. Not only bicycles, but also prams, walking aids or parcels can be stored safely.

Entrances to pedestrianised zones

The Pedalo bike box offers a safe storage option for bikes to enjoy a carefree shopping day and avoid searching for parking facilities in front of every shop.



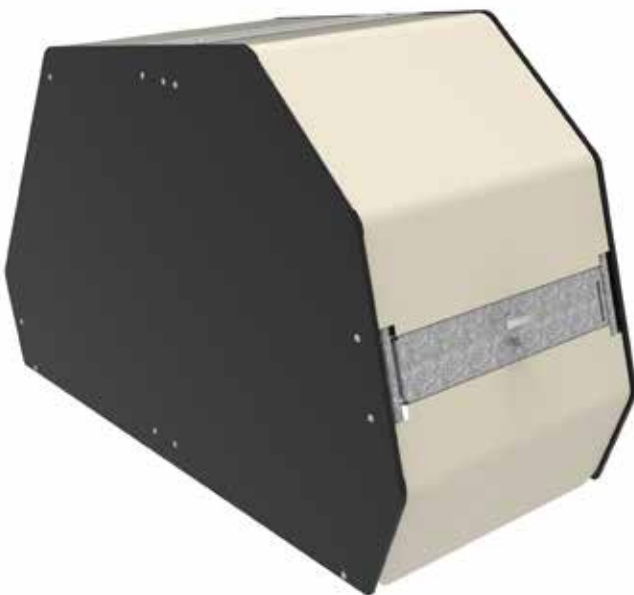


PEDALO BICYCLE BOX LOCK SYSTEMS

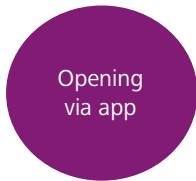
Intelligent locking solutions for every need.

Our Pedalo bicycle box is compatible with a wide range of intelligent systems for facility and authorisation management. Digital solutions for the Pedalo bicycle box make life easier and make you more independent. You can conveniently open the Pedalo bicycle box with your smartphone, wristband or numerical code, assign keys via SMS and organise even complex facilities easily online. For maximum freedom with maximum security.

- Easy opening of individual bicycle boxes with number combinations or by smartphone via Bluetooth
- Key rings, wristbands and cards can also be used as identification media
- Access control management for small and large facilities
- Rental function via web-based application
- Completely self-sufficient and weatherproof locking cylinder



Opening with
number combination



HAVE WE SPARKED YOUR INTEREST?
We would be happy to advise you and offer you different solutions!





PEDALO BIKE BOX REFERENCES



Brixen



Nienburg



Völklingen



Eppan
ERLAV



Pedalo Radbox
 Q1801
 02/2018

Empfohlene
adfc
 Qualität

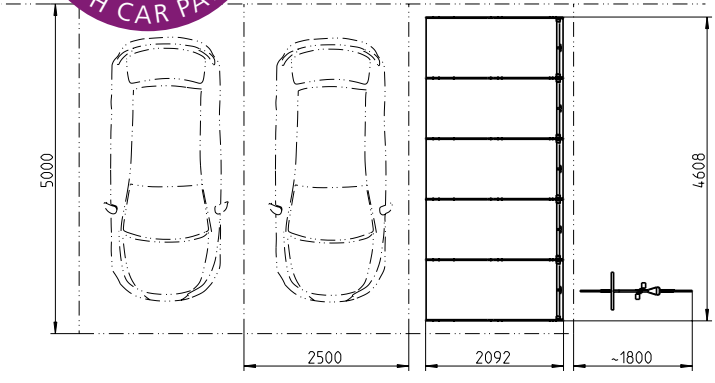
GOLD
 * FAHRRAD-ABSTELLTEST * LT02

radlobby

ERLAU
 Pedalo
 Fahrradbox
 Note: 1,41

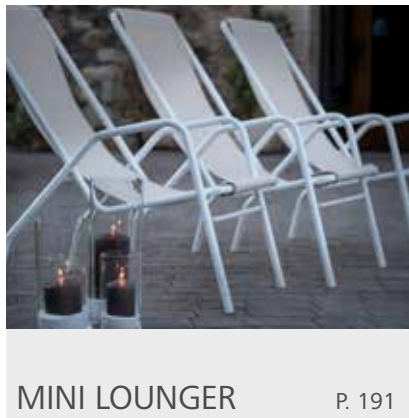


Eppan.



Bayrisch Gmain







LOUNGER SOLARIS

Comfort meets Design. Our double lounge Solaris offers all advantages you would expect.

- Frame made of 6 mm laser-cut mouldings, hot-dip galvanised and optionally powder-coated, RAL 7016 structure
- Lying area made of 29 strips (60 x 40 mm). Strips screwed by Countersunk head screws
- Design: Optionally for screwing under finished floor (FP100), mobile with skids or mobil with round base
- Optionally design: FP 100 and mobil with round base, with drilled hole for fixing, as Swivel lounge 360°
- Dimensions (W x L x H): 1200 x 1823 x 1099 mm

Matching table Solaris

Page 124

Matching chair and stool Solaris

Page 122-123

Matching bench Solaris

Page 50

Optionally Foundation basket:

Article no.: 5005546



LOUNGER SOLARIS - UNASSEMBLED*

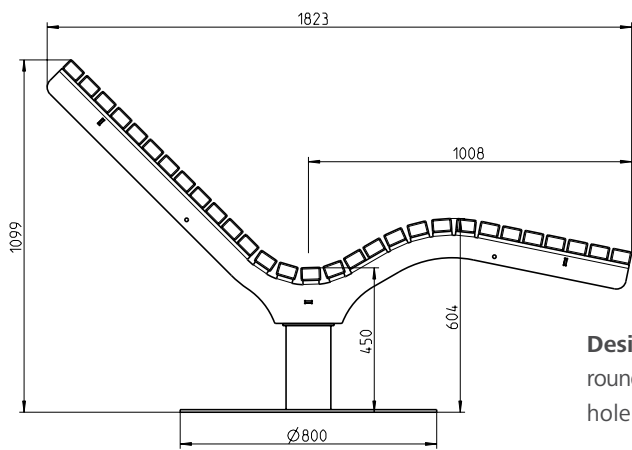
Designation	Bamboo Savanna planks				Dark bamboo planks			
	hot-dip galvanised		coated		hot-dip galvanised		coated	
	Article no..		Article no..		Article no..		Article no..	
Rigid, mobil with round base	5468117		5468139		5468617		5468639	
Rigid, mobile with skids	5468217		5468239		5468717		5468739	
Rigid, with ground plate FP100	5468317		5468339		5468817		5468839	
Rotatable, mobil, with round base	5468417		5468439		5468917		5468939	
Rotatable, with ground plate FP100	5468517		5468539		5469017		5469039	

LOUNGER SOLARIS - ASSEMBLED**

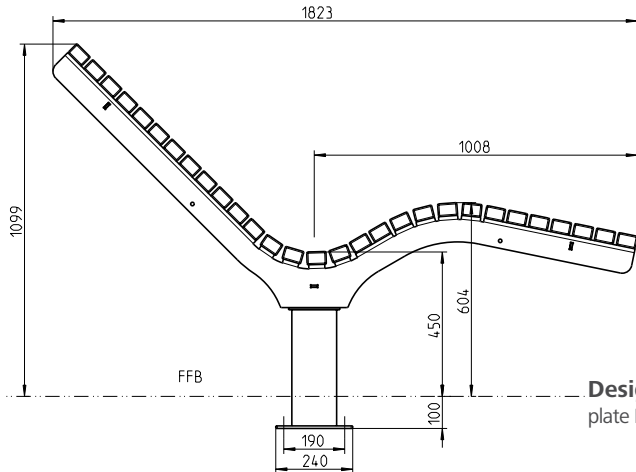
Designation	Bamboo Savanna planks				Dark bamboo planks			
	hot-dip galvanised		coated		hot-dip galvanised		coated	
	Article no.		Article no.		Article no.		Article no.	
Rigid, mobil with round base	5465817		5465839		5466317		5466339	
Rigid, mobile with skids	5465917		5465939		5466417		5466439	
Rigid, with ground plate FP100	5466017		5466039		5466517		5466539	
Rotatable, mobil with round base	5466117		5466139		5466617		5466639	
Rotatable, with ground plate FP100	5466217		5466239		5466717		5466739	

* unassembled: Planks included

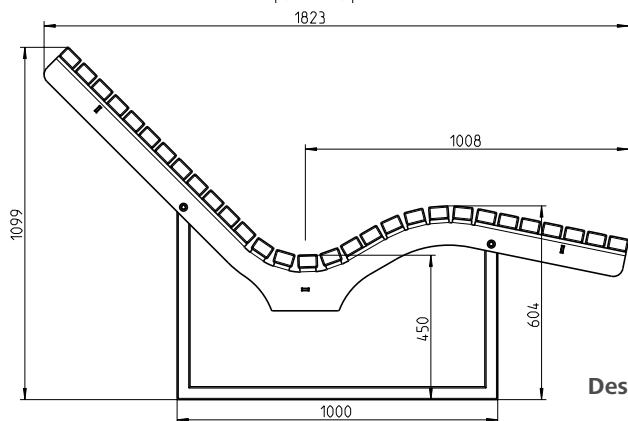
** assembled: Delivery is fully assembled



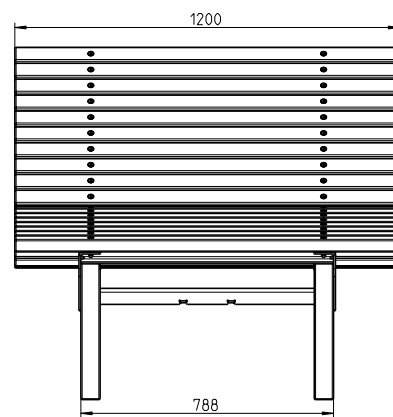
Design: Mobile with round base, with drilled hole for fixing



Design: With ground plate FP100



Design: Mobile with skids

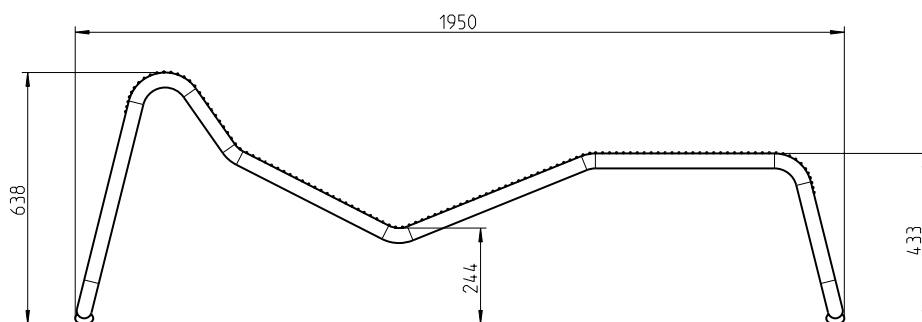




TIVOLI

Our design lounge: An invigorating element in leisure facilities and recreational landscapes.

- Frame made of steel tube, tube outer diameter 38 mm
- Lounger surface made of wire mesh, wire thickness 3.3 mm, grid 15 x 18 mm
- Vortex-sintered with polyamide Rilsan min. 350 µm
- With bolted slide rails
- Dimensions (W x L x H): 650 x 1950 x 638 mm, weight of one lounge: 25.5 kg



LOUNGER TIVOLI		
Designation	Mobile	
	Article no.	
Lounger Tivoli	54103..*	



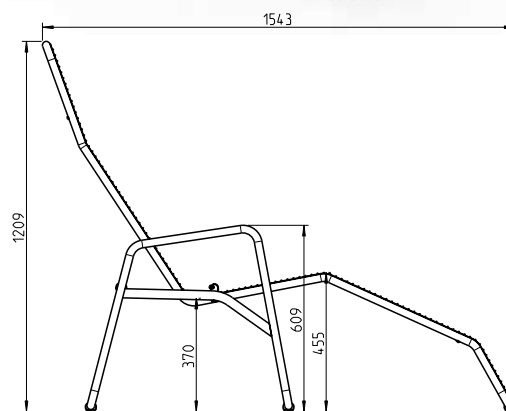
RAL to choose on request



BORNHOLM

Tilting lounger Bornholm.

- Full tilting lounger surface with wire mesh and round tube, diameter 25 mm
- Grid 15 x 20 mm, wire thickness 3.3 mm
- Top wires transverse to the direction of seating
- Skid-shaped base made of round tube, prevents sinking into the lawn
- Vortex-sintered in polyamide Rilsan, coating thickness min. 350 µm
- Pad and neck roll in blue check, ruby red or brown made of 100% printed cotton and full foam
- Secco pad made of a special micro synthetic fibre, extremely permeable to water. With additional anti-bacterial treatment.



PAD PATTERN:

Printed cotton



Blue check

Brown

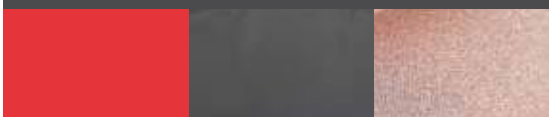
Micro synthetic fibre



Cappuccino

Blue

Dralon



Ruby red

Dark grey

Brown

PADS AND NECK ROLLS

Designation	Mobile	
	Article no.	
Pad in blue patterned, cotton	5006720	
Pad in brown patterned, cotton	5006721	
Pad in ruby red, dralon	5007163	
Pad in darkgrey, dralon	5007926	
Pad in darkbrown, dralon	5008174	
Secco pad made of micro synthetic fibre in cappuccino	5005508	
Secco pad made of micro synthetic fibre in blue	5005386	
Neck roll in blue patterned	5006722	
Neck roll in brown patterned	5006723	
Neck roll in ruby red, dralon	5007164	
Neck roll in darkgrey, dralon	5007927	
Neck roll in darkbrown, dralon	5008175	

LOUNGER BORNHOLM

Designation	Mobile	
	Article no.	
Tilting lounger Bornholm	52238..*	



Quick delivery range: From stock



4-6 weeks

Choice of RAL colour on request



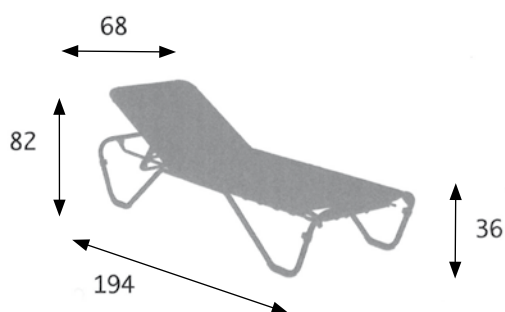
MARINA

Stacking aluminium pool lounger.

- Stacking aluminium pool lounger with 5-position adjustable headrest for a comfortable completely flat position lying on the front
- Replaceable, coloured, double cross-woven fabric covering with memory effect - no sagging of the fabric!
- Replaceable, abrasion-resistant sliding plates extend the service life
- UV and water-resistant
- Aluminium tube frame 28 mm
- Dimensions (WxDxH): 680 x 1940 x 360 mm, seat height 360 mm, weight of one lounger: 9 kg
- Covering colours: Blue, cappuccino, yellow, pink,... (22 standard colours in total are available)
- Frame colours: Silver, white
- Further flat loungers, also raised, on request

Matching mini loungers and side tables:

On page 191



Only sold in Germany.

LOUNGER MARINA WITH COVERING		
Designation	Mobile	
	Article no.	
Silver frame, cappuccino covering	5005219	
Silver frame, blue covering	5004839	

SPARE COVERING (set of 10)

Designation	Mobile	
	Article no.	
Blue covering	-	
Cappuccino covering	-	
Yellow covering	-	
Dark green covering	-	



MARINA DEPOSIT SYSTEM

On a self-service basis, your pool users can borrow loungers.

With the pool lounge deposit system, you can make your outdoor pool more attractive without creating additional work for your staff. The loungers are automatically cleared up every evening when the pool closes. 2 different types of deposit lock (coin or card lock) are available. With the card lock, there is even the possibility of generating additional income.

A complete pool lounge deposit system consisting of:

- Pool loungers
 - Deposit locks
 - Depot station
- Coin lock SMARTLOC for a 2 EURO coin
 - Card lock CARDLOC for deposit card, which is hired for a fee
 - Depot station/stand with blank board, including 1 metre long starter chain, colour metallic grey DB 703



Only sold in Germany.

DEPOSIT SYSTEM LOUNGER MARINA		
Designation	Mobile	
	Article no.	
Lounger Marina for deposit system, cappuccino covering	5006476	
Card lock for deposit card	5006495	
Coin lock for a €2 coin	5006452	
Deposit card / keycard (set of 50)	5007038	
Stand with blank board, including starter chain, DB 703	5353532	
Starter chain	5006453	

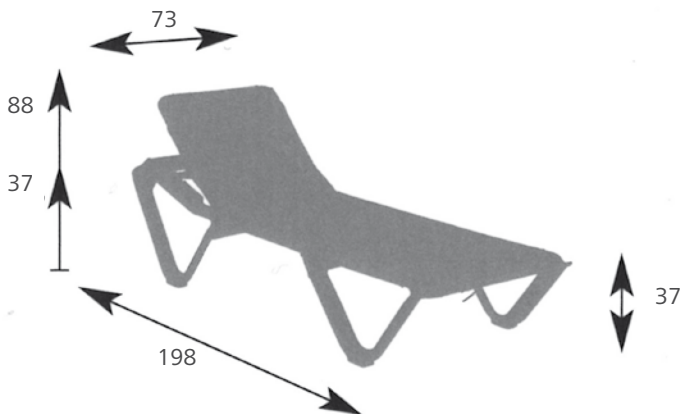




EVA PRO

Stacking flat lounger.

- Stacking plastic pool lounger with 5-position adjustable headrest for a comfortable completely flat position lying on the front
- Replaceable, coloured, double cross-woven fabric covering with memory effect - no sagging of the fabric!
- Replaceable, abrasion-resistant sliding plates extend the service life
- UV and water-resistant. With 2 wheels
- The frame, made of high-quality plastic, is supported by galvanised steel tubes inside to further increase its stability
- Dimensions (WxDxH): 730 x 1980 x 880 mm, seat height 370 mm, weight of one lounger: 14 kg, load capacity up to 200 kg
- Covering colours: Blue, cappuccino, yellow, pink,...
- (22 standard colours in total are available)
- Frame colours: White,...
- (5 colours in total are available)



Only sold in Germany.

LOUNGER EVA PRO WITH COVERING		
Designation	Mobile	
	Article no.	
White frame	5286500	
Sand-coloured frame	5286500	
More colours	5286500	

SPARE COVERING		
Designation	Mobile	
	Article no.	
Blue covering (set of 10)	5007018	
Cappuccino covering (set of 10)	5307000	
Yellow covering (set of 10)	5007016	
Dark green covering (set of 10)	5007017	



ETNA & OLIMPIA SIDE TABLE

Stackable aluminium sun lounger

- Stackable aluminium sun lounger with armrests and 5-way adjustable headrest (can also be lowered completely flat)
- Interchangeable, coloured, double cross-woven covering with memory effect - no sagging of the covering
- Replaceable, abrasion-resistant sliding plates extend the service life
- Weather-, UV- and water-resistant
- Stainless-steel screw fittings
- Ergonomic, aesthetic and extremely light aluminium frame combines high stability with excellent handling
- Dimensions (WxDxH): 710 x 1985 x 405 mm
- Weight 12 kg
- Colours: frame in matt silver-grey (total of 14 covering colours available)



Stackable aluminium side table

- Stackable aluminium side table with covered grid surface
- Weather-, UV- and water-resistant
- Stainless-steel screw fittings, plastic sliding plates
- Dimensions (WxDxH): 480 x 480 x 380 mm
- Weight 4 kg
- Colours: frame in matt silver-grey (total of 14 covering colours available)



Only for sale in Germany.

ETNA SUN LOUNGER

Designation	Portable	
	Item no.	
Silver frame, Cappuccino covering	-	
Silver frame, Ash covering	-	
Silver frame, Dark Grey covering	-	

OLIMPIA SIDE TABLE

Designation	Portable	
	Item no.	
Silver frame, Cappuccino covering	-	
Silver frame, Ash covering	-	
Silver frame, Dark Grey covering	-	



EASY ACCESS

CARELINE LOUNGERS

CARELINE loungers for every need.

- Textile covering made of air- and water-permeable fabric
- Sturdy steel or aluminium tube construction with a pleasant feel
- Raised lying height
- Tiltable or with adjustable backrest

BERMUDA tilting sun lounger

- Round steel tube
- Seating height 45 cm
- Width 64 cm

FLORIDA tilting sun lounger

- Aluminium oval tube
- Seating height 45 cm
- Width 67 cm

FLORIDA PLUS stackable flat sun lounger

- Aluminium oval tube
- Seating height 50 cm
- Width 73 cm

BRAZIL PLUS stackable flat sun lounger

- With wheels
- Aluminium square tube
- Seating height 50 cm
- Width 73 cm

IBIZA PLUS stackable flat sun lounger

- Aluminium square and flat tube
- Seating height 50 cm
- Width 75 cm



BERMUDA tilting sun lounger



FLORIDA tilting sun lounger



FLORIDA tilting sun lounger



FLORIDA PLUS flat sun lounger



BRAZIL PLUS stackable flat sun lounger with rollers



IBIZA PLUS stackable flat sun lounger

CARELINE LOUNGERS		
Designation	Colour	
BERMUDA tilting sun lounger	Silver frame / Dark Grey covering	
FLORIDA tilting sun lounger	Wine Red frame / Dark Grey covering	
FLORIDA PLUS flat sun lounger	Silver frame / Dark Grey covering	
BRAZIL PLUS flat sun lounger	Silver frame / Dark Grey covering	
IBIZA PLUS flat sun lounger	Silver frame / Dark Grey covering	



MINI LOUNGER & SIDE TABLE DIANA

Stacking mini lounger.

- Stacking silver-coated and weather-resistant aluminium lounger chairs. Fixed, non-adjustable backrest
- Coloured, cross-woven fabric covering with memory effect. Air- and water-permeable, antibacterial treated covering. Rounded corners and edges
- Legs protected by anti-slip plastic inserts
- Aluminium tube frame 28 mm
- Height: 940 mm, width: 770 mm, seat height: 380 mm, weight of one lounger: 4.8 kg
- Covering colours: Blue, cappuccino, yellow, pink,... (22 standard colours in total are available)
- Frame colours: Silver, white

Suitable deposit system

On page 151



Stacking side tables Diana.

- Coated, very light frame made of aluminium tube
- HPL table top in silver.
- Dimensions: (WxDxH) 47 x 59 x 35 mm. 3.6 kg



Only sold in Germany.

MINI LOUNGER WITH COVERING (set of 4)		
Designation	Mobile	
	Article no.	
Silver frame, cappuccino covering	5007271	

SIDE TABLE DIANA		
Designation	Mobile	
	Article no.	
Side table Diana	5007387	



ERLAU® CityLine Ancora & Ancora Quadro

Bollard Ancora. The interpretation of purism: Concentration on the essential.

- Bollards made of round tube
- Stationary with fixing plate (FPO), stationary for setting in concrete or removable with fixing sleeve
- Made of brushed stainless steel or hot-dip galvanised and powder-coated steel
- Dimensions (W x H): 76 / 102 x 1015 / 1020 mm



Bollard Ancora quadro.

- Square-shaped bollard made of square tube
- Stationary with fixing plate (FPO) or stationary for setting in concrete
- Made of hot-dip galvanised and powder-coated steel
- Dimensions (W x D x H): 100 x 100 x 1,000 mm



BOLLARD ANCORA QUADRO				
Designation	FPO		Stationary	
	Article no.		Article no.	
Bollard galvanised and powder-coated	54582..*		54583..*	

BOLLARD ANCORA						
Designation	FPO		Stationary		Removable	
	Article no.		Article no.		Article no.	
Bollard VA stainless steel 76 mm	5457624		5457724		5457824	
Bollard VA stainless steel 102 mm	5457924		5458024		5458124	
Bollard colour galvanised and powder-coated 76 mm	54576..*		54577..*		54578..*	
Bollard colour galvanised and powder-coated 102 mm	54579..*		54580..*		54581..*	



WASTE CONTAINER SIROLO
Page 145

BENCH OLBIA
Page 24

BOLLARD ANCORA QUADRO
Page 192

STAY MOBILE.

VitaGym® – Your circuit for therapy & leisure.



Product illustrations may differ from the original - subject to technical modification

■ Fall area ■ Clearance



VITAGYM® EXERCISE EQUIPMENT



VITAGYM® – INTERGENERATIONAL EXERCISE EQUIPMENT
IN ERLAU QUALITY AND FUNCTIONALITY.
BECAUSE PEOPLE OF ALL AGES LOVE TO BE ACTIVE.



Product illustrations may differ from the original - subject to technical modification
■ Fall area ■ Clearance



PUSH & PULLGYM

P. 198



BALANCEGYM

P. 200



STEPGYM

P. 202



BACKGYM

P. 204



TRACKGYM & DOUBLE

P. 206



PEDALGYM

P. 208



ROTOGYM

P. 210



STRECHGYM

P. 212



INSTRUCTION BOARDS

P. 197

Product illustrations may differ from the original - subject to technical modification

■ Fall area ■ Clearance



VITAGYM INSTRUCTION BOARDS

VitaGym instruction boards. ADDITION TO YOUR VITAGYM® CIRCUIT.

■ EXERCISE INSTRUCTION BOARD

Sturdy double tube holder including exercise instruction board (DIN A4).

■ METAL FRAME:

Steel tube, hot-dip galvanised, powder-coated, colour RAL 9007, grey aluminium.

■ INSTALLATION: Prepare a concrete foundation. The equipment is dowelled after the concrete has set.

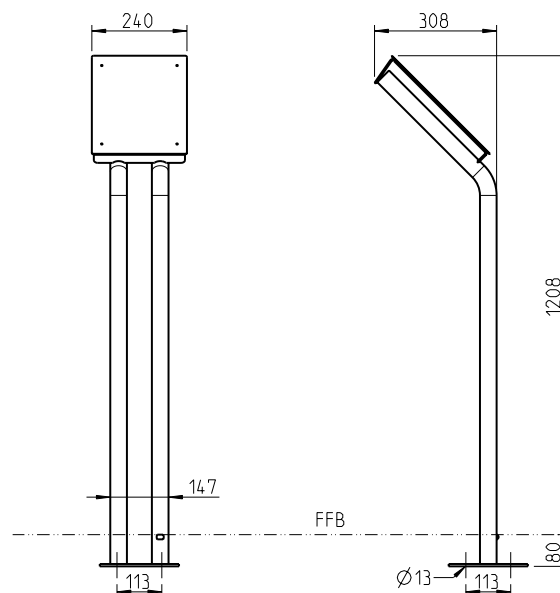
Foundation holes are filled.

MAINTENANCE: The equipment is maintenance-free.

YOUR ADVANTAGES

- Maintenance-free and easy-care.
- Designed and manufactured in Germany.
- Encourages activity and promotes togetherness.

VITAGYM INSTRUCTION BOARDS		
Designation	Mobile	
	Article no.	
Push / PullGym	5350909	
BalanceGym	5355009	
StepGym	5342209	
BackGym	5342109	
TrackGym	5341709	
TrackGym Double	5341709	
PedalGym	5341609	
RotoGym	5341809	
StretchGym	5341509	



Product illustrations may differ from the original - subject to technical modification

■ Fall area ■ Clearance



UPPER BODY TRAINER PUSH- & PULLGYM

Trainst the chest, shoulder and upper arm muscles.

EQUIPMENT DESCRIPTION: A variety of push exercises (PushGym) or arm pull exercises (PullGym) can be performed at variable angles and therefore varying resistance levels. The variation of the handle height allows an individually selectable training resistance.

■ **USE OF THE PUSHGYM** Using both parallel and curved bars, the stretched body is lifted and lowered by arm pull movements. By changing the handle height, the resistance and thus the training intensity can be changed.

■ **USE OF THE PULLGYM** Perform push-ups on the two parallel and curved bars. By changing the support height, the resistance and thus the training intensity can be changed.



METAL: Steel tube, hot-dip galvanised, powder-coated, colour RAL 9007 Grey aluminium

PLASTIC: PE 500 solid material, UV-stabilised, colour RAL 3000 flame red

INSTALLATION: Foundation anchor cast in concrete. Equipment modules are screwed together after the concrete has set. Foundation holes are filled.

MAINTENANCE: The equipment is largely maintenance-free; maintenance according to maintenance instructions.

SAFETY: DIN EN 16630: 2015

VITAGYM EXERCISE EQUIPMENT

Designation	Article no.	
Push / PullGym	5344709	

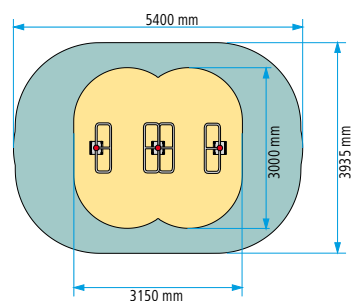
Product illustrations may differ from the original - subject to technical modification

■ Fall area ■ Clearance



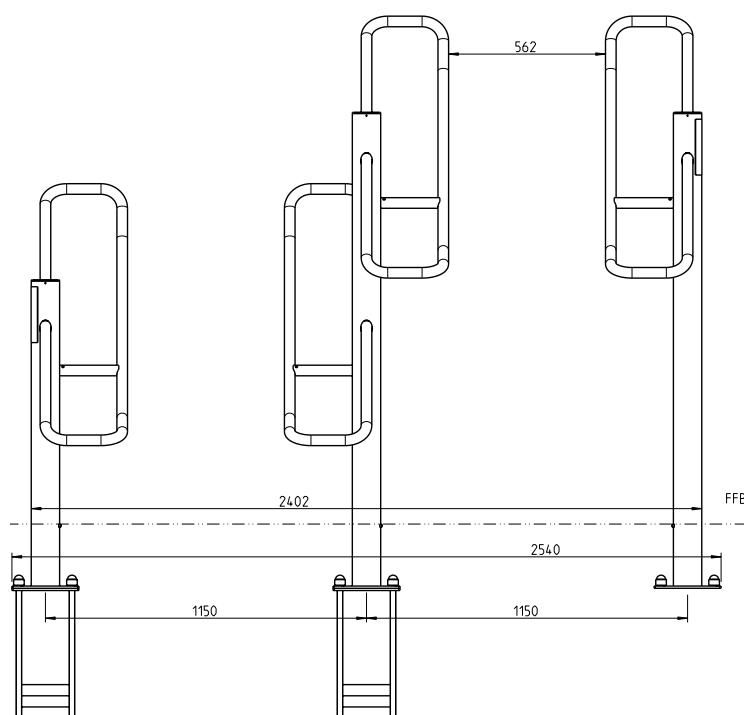
YOUR ADVANTAGES

- The powder-coated handles feel pleasantly warm even in cool weather.
- Suitable for all body sizes due to the wide handle area.
- Therapeutic aids such as elastic bands can be attached to the bars.
- Elements are available as single parts or in combination.



FALL HEIGHT: < 2000 mm

FALL AREA: 1500 mm all-round from the equipment edge



Product illustrations may differ from the original - subject to technical modification

■ Fall area ■ Clearance



BALANCE TRAINER BALANCEGYM

Trains balance and strengthens the abdominal, hip and lower back muscles.

EQUIPMENT DESCRIPTION: The foot plate on the standing exercise side is non-slip. In combination, the pleasantly warm seat offers an ergonomic sitting position. The rotating elements are secured against over-rotation with an end stop.

USE: Sit on the seat, grasp the holding rail and lean alternately back and forth and to the left and right. Stand on the foot plate with your knees slightly bent and use small movements to become off-balance and then recover the balance.



METAL: Steel tube, hot-dip galvanised, powder-coated, colour RAL 9007 Grey aluminium.

PLASTIC: PE 500 solid material, UV-stabilised, milled, colour RAL 3000, flame red.

BEARINGS: Maintenance-free bearings.

INSTALLATION: Foundation anchor cast in concrete. Equipment modules are screwed together after the concrete has set. Foundation holes are filled.

MAINTENANCE: The equipment is largely maintenance-free; maintenance according to maintenance instructions.

SAFETY: DIN EN 16630: 2015

VITAGYM BALANCEGYM

	Article no.	
BalanceGym	5354309	

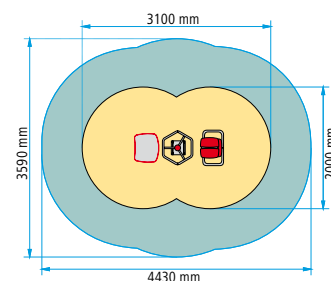
Product illustrations may differ from the original - subject to technical modification

■ Fall area ■ Clearance



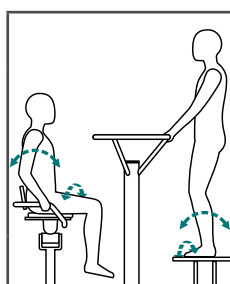
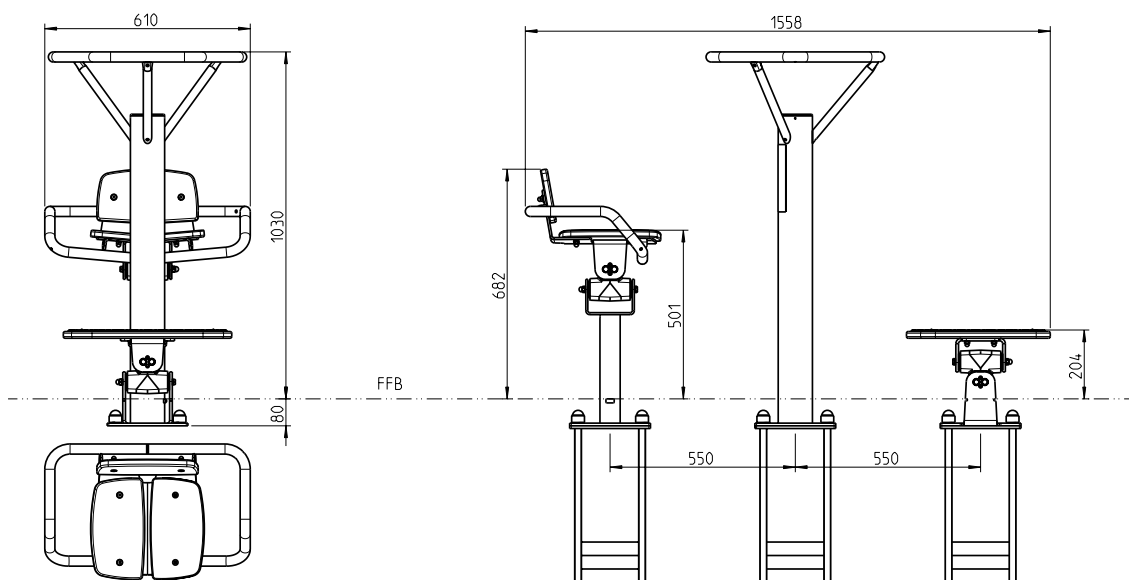
YOUR ADVANTAGES

- The powder-coated handle feels pleasantly warm even in cool weather.
- Attractively ergonomically shaped seat. The gap and the inclination relieve the strain on the perineal area and the ischial tuberosities.
- The checker plate on the standing element provides the necessary hold in any weather.
- Seat and standing elements are also available as single parts and can be individually grouped.



FALL HEIGHT: < 600 mm

FALL AREA: 1500 mm all-round from the equipment edge



BALANCEGYM

SCOPE OF SUPPLY

3 fully pre-assembled equipment modules
3 foundation anchors
12 nuts M20 with cover cap
Exercise instructions mounted on main post

Art. no.

5354309



LEG TRAINER STEPGYM

Trains leg mobility, the thighs and calf muscles.

EQUIPMENT DESCRIPTION: Damped bearings prevent uncontrolled swinging of the leg levers and create a pleasant movement sensation. The treads are non-slip and the seat, in combination with the handlebar, allows an ergonomic sitting position.

USE: Hold on tightly, sit on the seat and place your feet on the foot plates. Push the foot plates through alternately or simultaneously and let them return slowly. Avoid fully extending the knee joints and bending the knee joints below 90°.



- METAL:** Steel tube, hot-dip galvanised, powder-coated, colour RAL 9007 Grey aluminium.
- PLASTIC:** PE 500 solid material, UV-stabilised, colour RAL 3000 flame red.
- BEARINGS:** Maintenance-free bearings.
- INSTALLATION:** Foundation anchor cast in concrete. Equipment modules are screwed together after the concrete has set. Foundation holes are filled.
- MAINTENANCE:** The equipment is largely maintenance-free. Maintenance according to the maintenance instructions.
- SAFETY:** DIN EN 16630: 2015; damped bearings with end stop (prevent uncontrolled swinging of the leg levers).

VITAGYM STEPGYM

	Article no.	
StepGym	5338809	

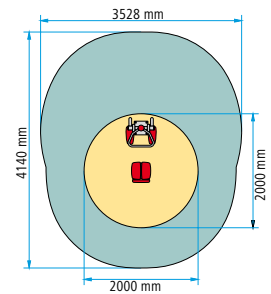
Product illustrations may differ from the original - subject to technical modification

■ Fall area ■ Clearance



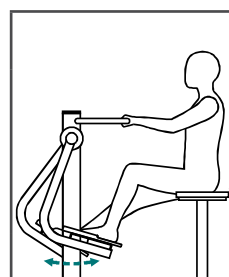
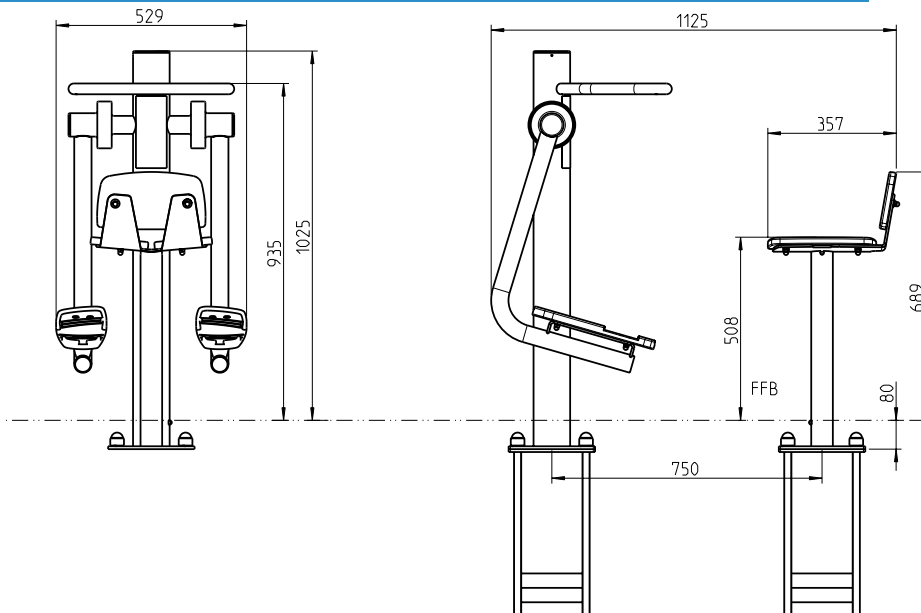
YOUR ADVANTAGES

- The powder-coated handles feel pleasantly warm even in cool weather.
- The damping prevents the leg levers from swinging freely and promotes a smooth movement.
- Attractively ergonomically shaped seat. The gap and the inclination relieve the strain on the perineal area and the ischial tuberosities.



FALL HEIGHT: < 600 mm

FALL AREA: 1500 mm all-round from the equipment edge



STEPGYM

SCOPE OF SUPPLY

- 2 fully pre-assembled equipment modules
- 2 foundation anchors
- 8 x M20 nuts with cover cap
- Exercise instructions attached to main post

Art. no. 5338809

Product illustrations may differ from the original - subject to technical modification

■ Fall area ■ Clearance



STOMACH/BACK TRAINER BACKGYM

Trains the mobility of the spine and strengthens the abdominal and back muscles

EQUIPMENT DESCRIPTION: The lever arm is damped in the end stop and ensures a pleasant and smooth movement.

USE: Sit on the seat from the side so that the lever arm is in front of your body. Clamp the lever arm with the arms. Then bend and straighten the upper body slowly and without jerking. Pull the lever slowly and smoothly backwards to stretch the spine to the maximum. You can combine the abdominal and back exercises in one movement or do them separately.



- METAL:** Steel tube, hot-dip galvanised, powder-coated, colour RAL 9007 Grey aluminium.
- PLASTIC:** PE 500 solid material, UV-stabilised, colour RAL 3000 flame red.
- BEARINGS:** Maintenance-free bearings.
- INSTALLATION:** Foundation anchor cast in concrete. Equipment modules are screwed together after the concrete has set. Foundation holes are filled.
- MAINTENANCE:** The equipment is largely maintenance-free: maintenance according to the maintenance instructions.
- SAFETY:** DIN EN 16630: 2015; damped bearings with end stop (prevents over stretching of the spine).

VITAGYM BACKGYM

Designation	Article no.
BackGym	5339209

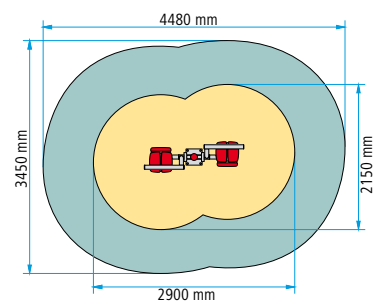
Product illustrations may differ from the original - subject to technical modification

■ Fall area ■ Clearance



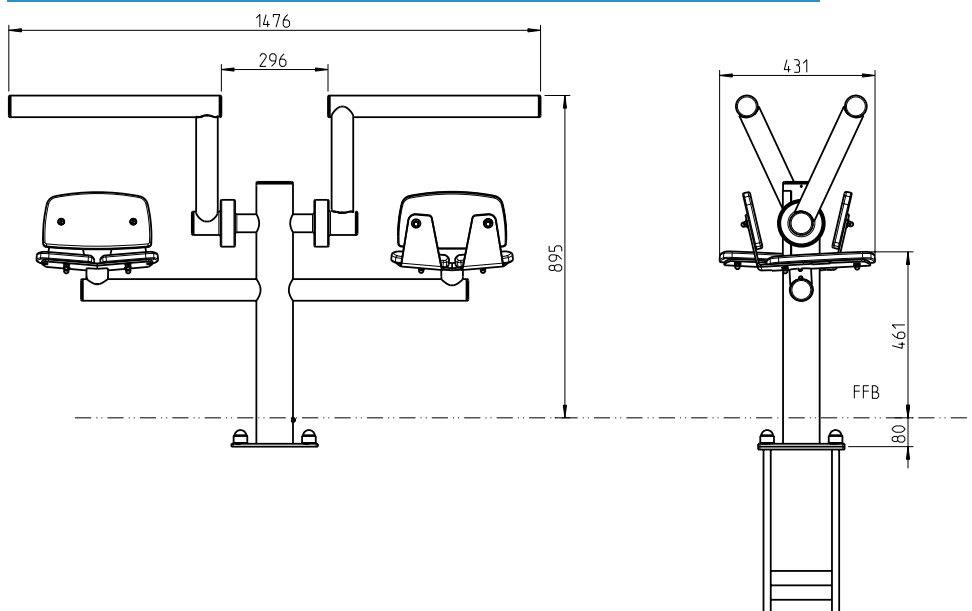
YOUR ADVANTAGES

- The powder-coated handle feels pleasantly warm even in cool weather.
- Attractively ergonomically shaped seat. The gap and the inclination relieve the strain on the perineal area and the ischial tuberosities.
- Encourages activity and communication and promotes togetherness.



FALL HEIGHT: < 600 mm

FALL AREA: 1500 mm all-round from the equipment edge

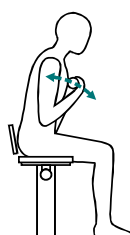


BACKGYM

SCOPE OF SUPPLY

- 1 fully pre-assembled piece of equipment
- 1 foundation anchors
- 4 x M20 nuts with cover cap
- Exercise instructions attached to main post

Art. no. 5339209



Product illustrations may differ from the original - subject to technical modification

■ Fall area ■ Clearance



WALKING TRAINER TRACKGYM

Trains the hip and leg muscles, promotes mobility, condition, coordination and a sense of balance.

EQUIPMENT DESCRIPTION: The mobility of the leg levers is slowed down by damped bearings. This prevents uncontrolled swinging and creates a pleasant movement sensation. The treads are non-slip even in wet weather and, in combination with the ergonomically shaped handlebars, ensure a secure footing. Lever arm is damped in the end stop and ensures a pleasant and smooth movement.

USE: Place the feet on the foot plates and hold onto the handlebars. Now slowly and evenly move the leg levers alternately back and forth.



METAL: Steel tube, hot-dip galvanised, powder-coated, colour RAL 9007 grey aluminium.

PLASTIC: PE 500 solid material, UV-stabilised, colour RAL 3000 flame red.

BEARINGS: Maintenance-free bearings.

INSTALLATION: Foundation anchor cast in concrete. Equipment modules are screwed together after the concrete has set. Foundation holes are filled.

MAINTENANCE: The equipment is largely maintenance-free. Maintenance according to the maintenance instructions.

SAFETY: DIN EN 16630: 2015; damped bearings with end stop (prevent uncontrolled swinging of the leg levers).

VITAGYM TRACKGYM

Designation	Article no.	
TrackGym	5313209	
TrackGym Double	5340009	

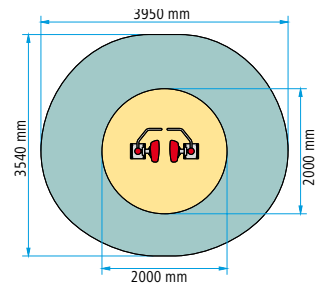
Product illustrations may differ from the original - subject to technical modification

■ Fall area ■ Clearance

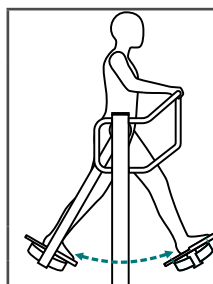
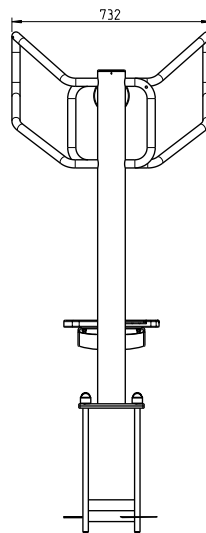
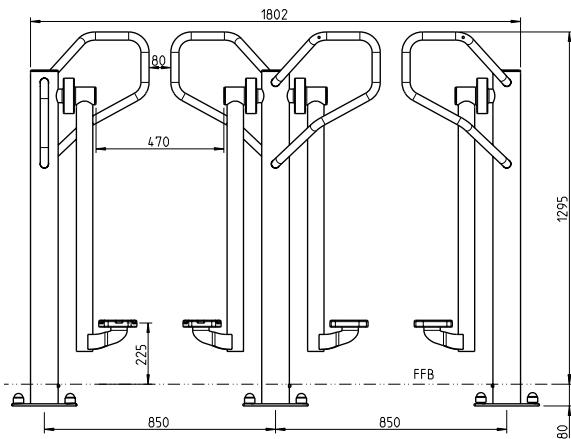


YOUR ADVANTAGES

- The powder-coated handles feel pleasantly warm even in cool weather.
- The damping prevents the leg levers from swinging freely and promotes a smooth movement. End stop at 30° - thus a physiologically appropriate maximum leg angle of 60°.



FALL HEIGHT: < 600 mm
FALL AREA: 1500 mm all-round from the equipment edge



TRACKGYM / DOUBLE TRACKGYM

SCOPE OF SUPPLY

- 2 fully pre-assembled equipment modules
- 2 foundation anchors
- 8 x M20 nuts with cover cap
- Exercise instructions attached to main post

TrackGym: Art. no. 5313209
 Double TrackGym: Art. no. 5340009



BIKE TRAINER PEDALGYM

**Gently trains the upper and lower body muscles.
Promotes mobility.**

EQUIPMENT DESCRIPTION: The handlebars provide a secure hold during the exercises. The pedal treads are slip-proof. The plastic handlebar plates and the seat are pleasantly warm. The upper body trainer is wheelchair-friendly.

USE: Sit on the seat of the lower body trainer, place your feet on the pedals and hold on to the handlebars. Slowly and evenly, turn the pedals. Or grasp the handles on the upper body trainer and turn the hand cranks slowly and evenly.



- METAL:** Steel tube, hot-dip galvanised, powder-coated, colour RAL 9007
Grey aluminium.
- PLASTIC:** PE 500 solid material, UV-stabilised, milled, colour RAL 3000 flame red.
- BEARINGS:** Maintenance-free bearings.
- INSTALLATION:** Foundation anchor cast in concrete. Equipment modules are screwed together after the concrete has set. Foundation holes are filled.
- MAINTENANCE:** The equipment is largely maintenance-free. Maintenance according to the maintenance instructions.
- SAFETY:** DIN EN 16630: 2015; damped bearings (prevent uncontrolled rotation of the cranks).

VITAGYM PEDALGYM

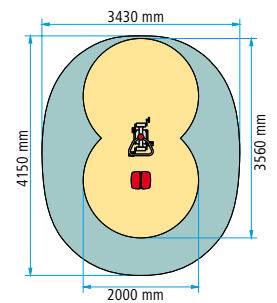
Designation	Article no.	
PedalGym	5312909	

Product illustrations may differ from the original - subject to technical modification
■ Fall area ■ Clearance

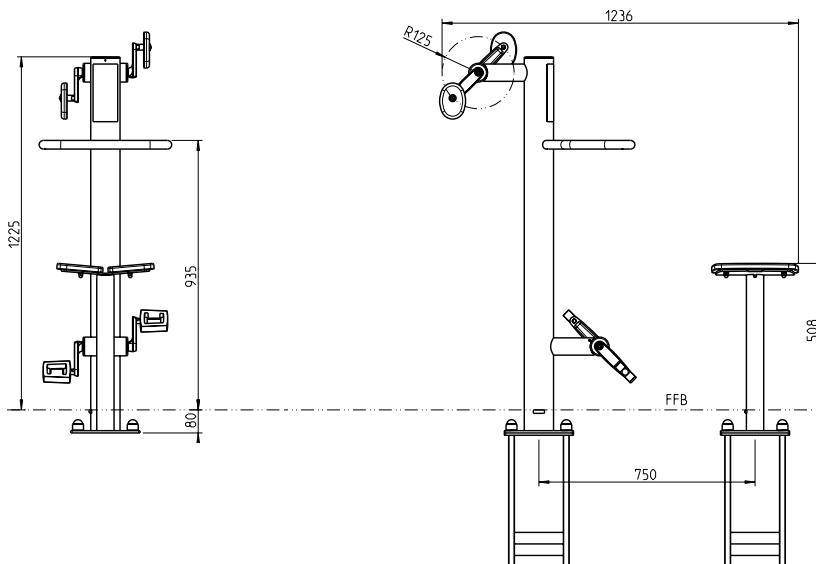


YOUR ADVANTAGES

- The powder-coated handle feels pleasantly warm even in cool weather.
- Attractively ergonomically shaped seat. The gap and the inclination relieve the strain on the perineal area and the ischial tuberosities.
- Ergonomic handles that can also be grasped by people with restrictions in gripping motor skills (e.g. arthritis).



FALL HEIGHT: < 600 mm
FALL AREA: 1500 mm all-round from the equipment edge



	PEDALGYM
	SCOPE OF SUPPLY 2 fully pre-assembled equipment modules 2 foundation anchors 8 x M20 nuts with cover cap Exercise instructions attached to main post
Art. no.	5312909



ARM/SHOULDER TRAINER ROTOGYM

Trains the chest, shoulder and upper back muscles. Promotes mobility of the shoulder, elbow and wrist joints and improves the posture.

EQUIPMENT DESCRIPTION: The turntables at different heights ensure optimal use for smaller and larger people. A wheel-chair-suitable variant is available.

USE: Place the hands on the corresponding pair of plates. Then turn the plates in opposite directions towards each other. Change the movement direction after some time.



- METAL:** Steel tube, hot-dip galvanised, powder-coated, colour RAL 9007 Grey aluminium.
- PLASTIC:** PE 500 solid material, UV-stabilised, milled, colour RAL 3000 flame red.
- BEARINGS:** Maintenance-free bearings.
- INSTALLATION:** Foundation anchor cast in concrete. Equipment modules are screwed together after the concrete has set. Foundation holes are filled.
- MAINTENANCE:** The equipment is largely maintenance-free: maintenance according to the maintenance instructions.
- SAFETY:** DIN EN 16630: 2015.

VITAGYM ROTOGYM

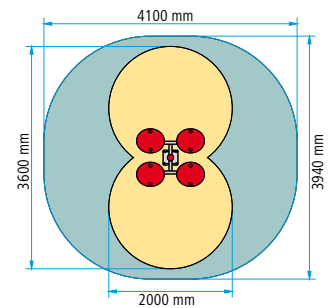
Designation	Article no.
RotoGym	5313809

Product illustrations may differ from the original - subject to technical modification
 ■ Fall area ■ Clearance



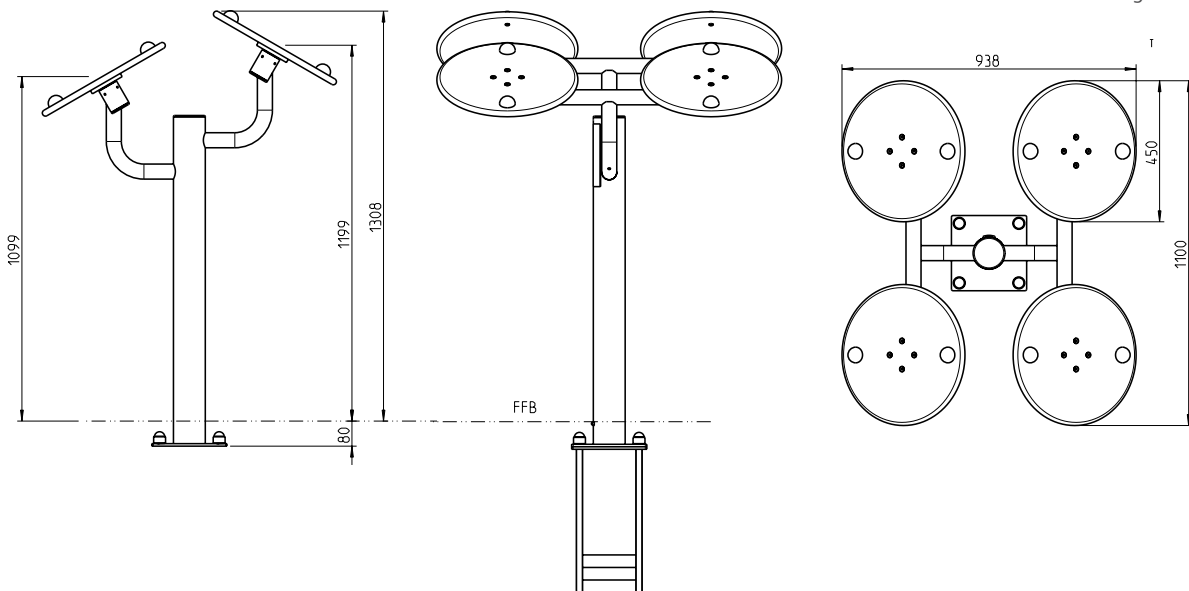
YOUR ADVANTAGES

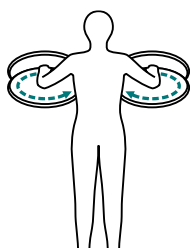
- The plates feel pleasantly warm even in cool weather and have a hygienically smooth surface.
- The plates are mounted in two heights to ensure an optimal height for different body sizes.
- Grip area between the plates provides a place to hold.
- Encourages activity and communication and promotes togetherness.



FALL HEIGHT: none

FALL AREA: 1500 mm all-round from the equipment edge





ROTOGYM

SCOPE OF SUPPLY

- 1 fully pre-assembled equipment modules
- 1 foundation anchors
- 4 x M20 nuts with cover cap
- Exercise instructions attached to main post

Art. no. 5313809



STRETCH TRAINER STRETCHGYM

**Trains mobility and flexibility in the entire body.
Relaxing and relieves the strain.**

EQUIPMENT DESCRIPTION: The equipment serves as a place to hold and for support for stretching exercises. However, it can also be used for other gymnastic and therapeutic exercises, e.g. with elastic bands.

USE: A variety of stretching exercises and gymnastic exercises can be performed on the equipment.



METAL: Steel tube, hot-dip galvanised, powder-coated, colour RAL 9007 Grey aluminium.

PLASTIC: PE 500 solid material, UV-stabilised, milled, colour RAL 3000 flame red.

INSTALLATION: Foundation anchor cast in concrete. Equipment modules are screwed together after the concrete has set. Foundation holes are filled.

MAINTENANCE: The equipment is largely maintenance-free. Maintenance according to the maintenance instructions.

SAFETY: DIN EN 16630: 2015.

VITAGYM STRETCHGYM

Designation	Article no.	
StretchGym	5312509	

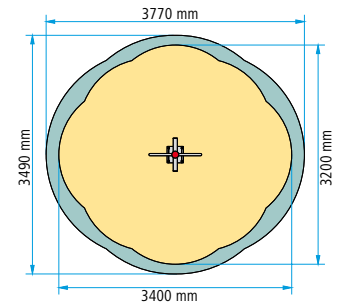
Product illustrations may differ from the original - subject to technical modification

■ Fall area ■ Clearance

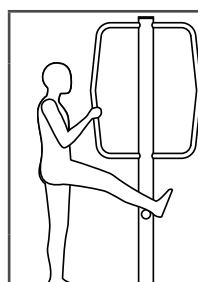
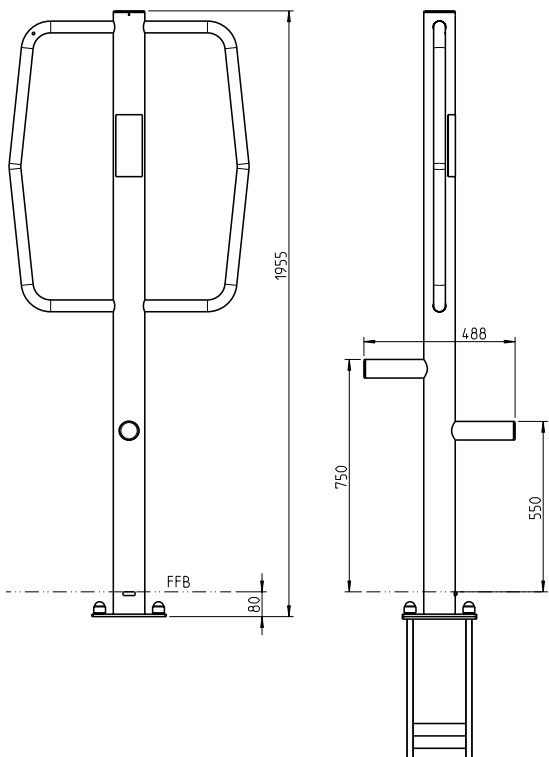


YOUR ADVANTAGES

- The powder-coated handle feels pleasantly warm even in cool weather.
- Therapeutic aids such as elastic bands can be attached to the bars.
- The leg rests are shaped in such a way that they can be comfortably positioned without pressure points.



FALL HEIGHT: < 1000 mm
FALL AREA: 1500 mm all-round from the equipment edge



STRETCHGYM

SCOPE OF SUPPLY

1 fully pre-assembled equipment modules
 1 foundation anchors
 4 x M20 nuts with cover cap
 Exercise instructions attached to main post

Art. no. 5312509

VITAGYM® EXERCISE EQUIPMENT

MORE VITALITY AND ZEST OF LIFE AT ANY AGE...

With our tried-and-tested VitaGym® exercise equipment, adults of all ages can maintain and even increase their vitality and zest for life in a enjoyable and gentle way.

WHO IS VITAGYM® SUITABLE FOR AND WHY?

■ Councils or public sector institutions

VitaGym® promotes social interaction between the generations, counteracts the loneliness of people living alone, promotes the health of fellow citizens and also appeals to people who are reluctant to exercise.

■ Senior citizen facilities

VitaGym® promotes and maintains independence, reduces the need for care, helps prevent falls, counteracts lethargy and low moods and strengthens the sense of community.

■ Clinics and health facilities

VitaGym® promotes the mobilisation of patients, motivates them to exercise in the fresh air, promotes a positive mood among patients and encourages regeneration.

■ Leisure, gastronomy and tourism businesses

VitaGym® represents a new attraction, appeals to adults and seniors, is a good addition to offers for children and makes your wellness offer visible to the outside world.

The number of VitaGym® circuits is constantly increasing. In public facilities or hotels, as sensory, movement and therapy gardens in outdoor areas of clinics and care facilities. VitaGym – always in motion.

FINANCING

FINANCING

We offer a wide range of alternatives for financing your VitaGym circuit. You can set up a circuit including outdoor furniture for as little as 190 euros per month. And you can choose between hire-purchase and leasing. We are also happy to help with the procurement of donations, foundation funds and grants.

Ask us about the many possibilities to find a solution that suits you.

REFERENCES

- Dresden/ AWO care home Dresden-Cossebaude
- Hamburg / multi-generational play area in Hammer Park
- Dortmund / central cemetery
- Wiesloch / psychiatric centre Nordbaden
- Bad Bellingen / motorway service station
- Bad Tölz / Josefistift
- Kaiserslautern / park on Donnerbergstraße
- Stuttgart-Giebel / Bau- und Heimstättenverein Stuttgart eG
- Bad Wörishofen / Kneipp-Bund e. V.
- Essen / city park Paulinenstraße
- Marsberg / LWL clinic
- Duisburg / Johanniter-Stift Duisburg-Nord

Recommended by

aktiv & gesund

Award-winning



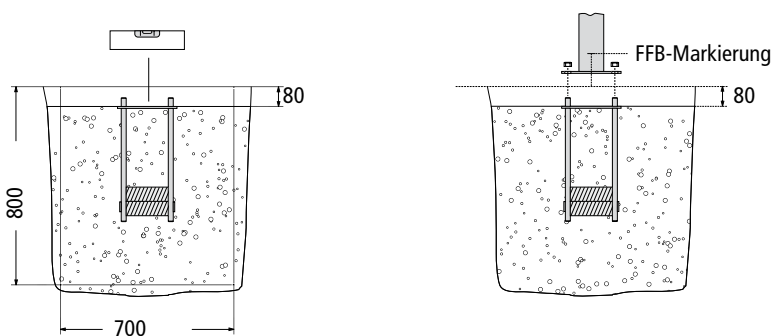
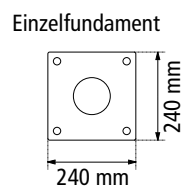
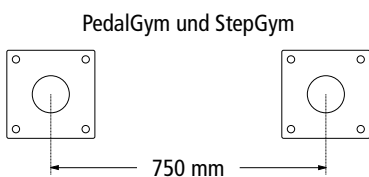
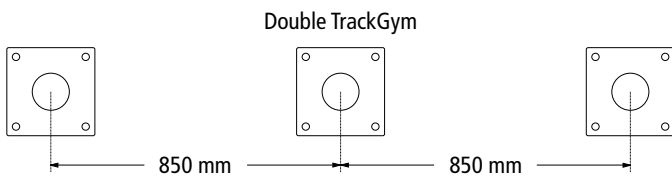
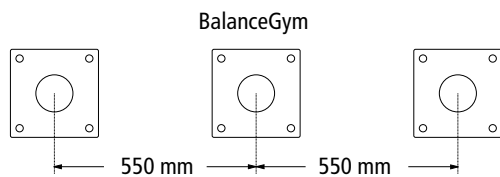
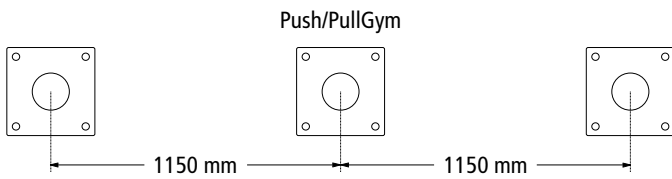
Demografie Exzellenz
Award | 2 0 1 1

Product illustrations may differ from the original - subject to technical modification

■ Fall area ■ Clearance

INSTALLATION

THE INSTALLATION OF VITAGYM EXERCISE EQUIPMENT IS VERY SIMPLE.



Simplified illustration. See the installation instructions for detailed installation.

■ **INSTALLATION** The foundation anchors included in the scope of delivery are set in concrete on-site according to the assembly instructions. Several foundations are laid for some equipment.

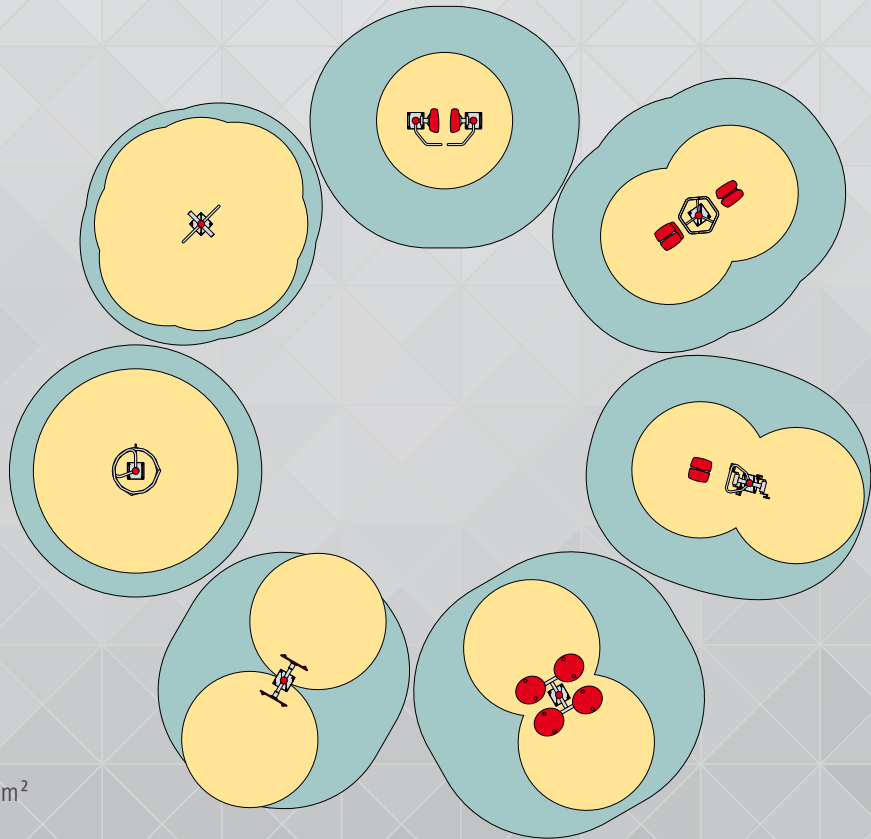
After the concrete has set, the completely pre-assembled units or unit modules can be screwed onto the foundation anchors. Finally, the foundation holes are filled up.

This also allows the equipment to be dismantled again and thus represents an advantage over equipment that is permanently set in concrete. Installation is also easier, as no auxiliary structures are needed to support the equipment until the concrete sets.

The exercise instruction board and the information board, as well as the products based on tube brackets, are dowelled onto sufficiently dimensioned concrete foundations, also 80 mm below finished floor level (FFL).

■ **RECOMMENDATIONS** We recommend a solid top floor also to ensure accessibility for wheelchair users, users of walking aids and people who are unsure of their footing.

If you intend to use a loose filling material (e.g. sand, granulate), please contact us, as the unit construction in the area of the foundation fixing must be modified according to the required installation depth for loose filling material. We can deliver adapted equipment on request.



ROUND CIRCUIT

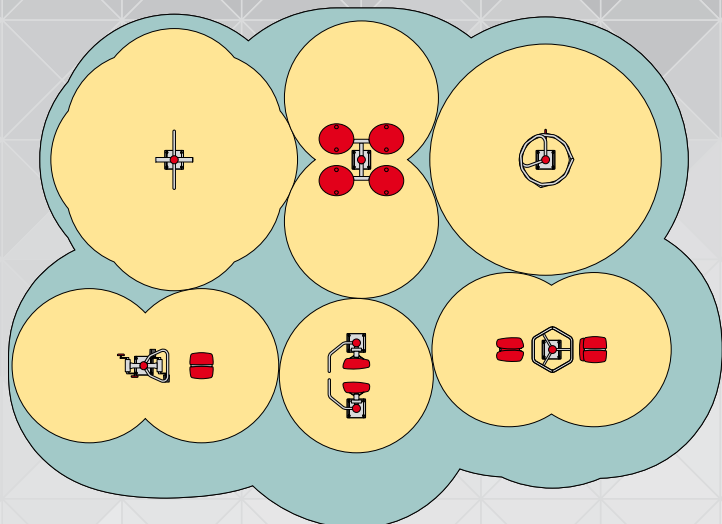
- 7 pieces of equipment
- 12 stations
- Space required approx. 140 m²

ROUND CIRCUIT

LARGE ISLAND CIRCUIT

SMALL ISLAND CIRCUIT

ROW CIRCUIT



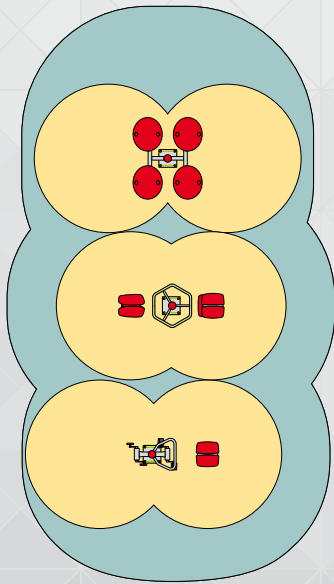
LARGE ISLAND CIRCUIT

- 6 pieces of equipment
- 10 stations
- Space required approx. 55 m²

VITAGYM[®]

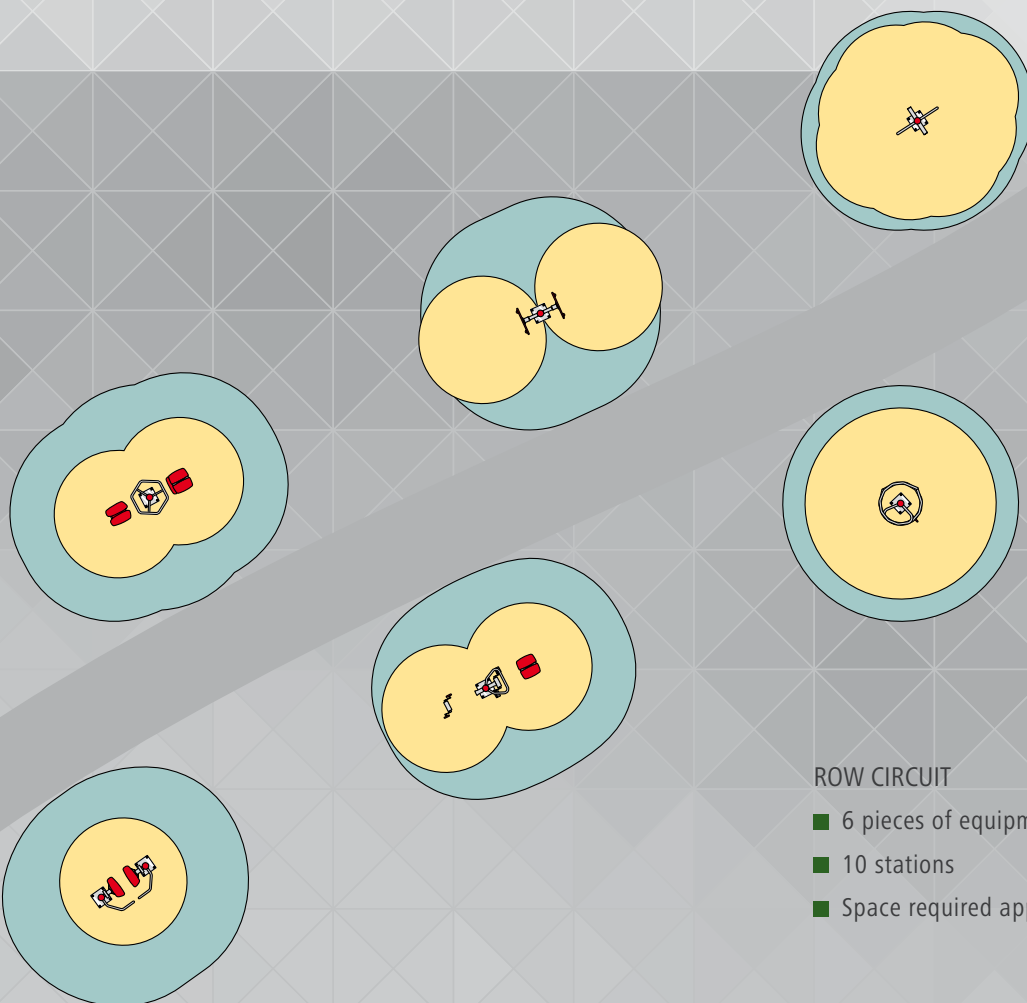
CIRCUIT

PLANNING EXAMPLES



SMALL ISLAND CIRCUIT

- 3 pieces of equipment
- Stations
- Space required approx. 30 m²












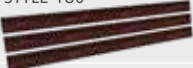



ROW CIRCUIT

- 6 pieces of equipment
- 10 stations
- Space required approx. 200 m²

Product illustrations may differ from the original - subject to technical modification











■ Fall area ■ Clearance

BENCHES – COMPONENTS AND SPARE PARTS






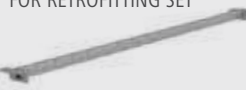

VISUALISATION	TECHNICAL DESCRIPTION	Model/dimension	Article number		
 <p>SEAT SECTION HARMONY WITH BACKREST</p>	<p>All seat and back surfaces with wire mesh and round tube, diameter 38 mm. Grid 15 x 15 mm, wire thickness 3.3 mm. Top wires transverse to the direction of seating. With two grid compressions for visualised seating places and for additional stabilisation. Vortex-sintered with polyamide Rilsan, coating thickness min. 350 µm. Dimensions (W x D x H): 1,800/1,200/600 x 513 x 442 mm</p>	With backrest 1,800 mm wide			
		3-seater	53653 ..*		
		With backrest 1,200 mm wide			
		2-seater	53654 ..*		
 <p>SEAT SECTION HARMONY WITHOUT BACKREST</p>	<p>Seat surface made of wire mesh and round tube, diameter 38 mm. Grid 15 x 15 mm, wire thickness 3.3 mm. Top wires transverse to the direction of seating. With two grid compressions for visualised seating places and for additional stabilisation. Vortex-sintered with polyamide Rilsan, coating thickness min. 350 µm. Dimensions (W x D x H): 1,800/1,200/600 x 430 x 48 mm</p>	Without backrest width 1,800 mm			
		3-seater	53656 ..*		
		Without backrest width 1,200 mm			
		2-seater	53657..*		
 <p>SEAT SECTION HARMONY 180 WITHOUT BACKREST, DOUBLE SEAT</p>	<p>Corresponds with table top Harmony 180 wide. Seat surface made of wire mesh and round tube, diameter 38 mm. Grid 15 x 15 mm, wire thickness 3.3 mm. With two grid compressions for visualised seating places and for additional stabilisation. Vortex-sintered with polyamide Rilsan, coating thickness min. 350 µm. Dimensions (W x D x H): 1,800 x 770 x 44 mm</p>	Without backrest 1,800 mm		53721..*	
 <p>SEAT SECTION STYLE 180 WITH BACKREST</p>	<p>Frame made of laser-cut mouldings and round tube 38 mm. All metal parts vortex-sintered with polyamide Rilsan, coating thickness min. 350 µm. Dimensions (W x D x H): 1,800 x 521 x 449 mm</p>	With backrest 1,800 mm		54828 ..*	
 <p>SEAT SECTION STYLE 180 WITHOUT BACKREST</p>	<p>Frame made of laser-cut mouldings and round tube 38 mm. All metal parts vortex-sintered with polyamide Rilsan, coating thickness min. 350 µm. Dimensions (W x D x H): 1,800 x 436 x 47 mm</p>	Without backrest 1,800 mm		54829 ..*	
 <p>SEAT SECTION STYLE 180 WITHOUT BACKREST, DOUBLE SEAT</p>	<p>Corresponds with table frame Style 180 wide. Frame made of laser-cut mouldings and round tube 38 mm. All metal parts vortex-sintered with polyamide Rilsan, coating thickness min. 350 µm. Dimensions (W x D x H): 1,800 x 790 x 51 mm</p>	Without backrest 1,800 mm		54830..*	
 <p>MESH INSERT STYLE 180</p>	<p>Insert made of wire mesh, seat and/or back surface all with wire mesh. Grid 15 x 30 mm, wire thickness 3.3 mm. Top wires transverse to the direction of seating. With three grid compressions for additional stabilisation. Bevelled wire ends. Vortex-sintered with polyamide Rilsan, coating thickness min. 350 µm. Dimensions (L x H x D): 1,771 x 345 x 38 mm</p>			53661 ..*	
 <p>FIXING SET MESH INSERT STYLE</p>	<p>Consisting of: 6x Pan-head bolt M6x25 A2 6x Washer DIN 9021 6,4 A2</p>			5006965	
 <p>PAGWOOD INSERT STYLE 180</p>	<p>Wooden plank insert made of resin-impregnated and cross-bonded laminated veneer wood of domestic red beech. For screw-connection as a seat and/or backrest surface. Dimensions (L x H x D): 1,770 x 340 x 40 mm, width of one plank 100 mm</p>			5006873	
 <p>DARK BAMBOO INSERT STYLE 180</p>	<p>Planks made of dark fibre bamboo. For screw-connection as a seat and/or backrest surface. Dimensions (L x H x D): 1,770 x 340 x 40 mm, width of one plank 100 mm</p>			5006870	
 <p>BAMBOO SAVANNA INSERT STYLE 180</p>	<p>Planks made of line-bonded bamboo. For screw-connection as a seat and/or backrest surface. Dimensions (L x H x D): 1,770 x 340 x 40 mm, width of one plank 100 mm</p>			5008144	
 <p>ACCOYA INSERT STYLE 180</p>	<p>Accoya planks. For screw-connection as a seat and/or backrest surface. Dimensions (L x H x D): 1,770 x 340 x 40 mm, width of one plank 100 mm</p>			5008063	
 <p>RECYCLED PLASTIC INSERT STYLE 180</p>	<p>Planks made of recycled plastic, reinforced solid material, maintenance-free, weather-resistant. For screw-connection as a seat and/or backrest surface. Dimensions (L x H x D): 1,770 x 340 x 40 mm, width of one plank 100 mm</p>			5006872	



BENCHES – COMPONENTS AND SPARE PARTS












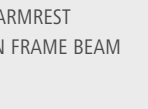

VISUALISATION	TECHNICAL DESCRIPTION	Article number	
<p>FOOT GLORIA</p> 	<p>Leg made of exposed concrete, smooth and untreated. For installation on FFB 0. Dimensions (W x D x H): 430 x 100 x 475 mm</p>	5007186	
<p>FIXING SET BOTTOM ATTACHMENT</p>	<p>For foot GLORIA, stationary fitting</p>	5007409	
<p>LEG SIESTA</p> 	<p>Curved round tube leg, diameter 38 mm, also serves as armrest. For mobile installation on FFB 0. Anti-theft anchoring by means of integrated welded-on fixing tabs. Ground anchor for casting in the foundation optionally available at a surcharge. Vortex-sintered with polyamide Rilsan, coating thickness min. 350 µm. Dimensions (W x D x H): 486 x 38 x 728 mm. Also in stationary design, dimensions: 486 x 38 x 1,028 mm</p>	<p>Mobile: 54822..*</p> <p>Stationary: 54823..*</p>	
<p>LEG CHARISMA</p> 	<p>Curved round tube leg, diameter 38 mm, also serves as armrest. For mobile installation on FFB 0. Anti-theft anchoring by means of integrated welded-on fixing tabs. Ground anchor for casting in the foundation optionally available at a surcharge. Vortex-sintered with polyamide Rilsan, coating thickness min. 350 µm. Dimensions (W x D x H): 523 x 38 x 675 mm</p>	<p>Mobile: 54824..*</p> <p>Stationary: 54302..*</p>	
<p>LEG STELLA</p> 	<p>Leg made from laser-cut moulding, angled and curved design, also serves as armrest. For mobile installation on FFB 0. Simple anti-theft anchoring by means of integrated fixing tabs. Ground anchor for casting in the foundation optionally available at a surcharge. Fully hot-dip galvanised and powder-coated. Dimensions (W x D x H): 511 x 40 x 652 mm</p>	54825 ..*	
<p>LEG QUADRI</p> 	<p>Leg made of laser-cut moulding. Angled and square design. For mobile installation on FFB 0. Simple anti-theft anchoring by means of integrated drilled fixing holes. Ground anchor for casting in the foundation optionally available at a surcharge. Fully hot-dip galvanised and powder-coated. Dimensions (W x D x H): 430 x 66 x 475 mm</p>	53667..*	
<p>LEG PRIMAVERA</p> 	<p>V-shaped round tube leg, diameter 38 mm. Mobile with fixing tabs (must be anchored). With and without armrest. Dimensions without armrest (W x D x H): 515 x 106 x 531 mm Dimensions with armrest (W x D x H): 541 x 106 x 681 mm</p>	<p>Without armrest: 53870 ..*</p> <p>With armrest: 53868..*</p>	
<p>LEG STRADA</p> 	<p>Leg with armrest. Material: VA bead blasted, mobile with fixing tabs. Dimensions (W x H): 873 x 460 mm</p>	5390524	
<p>ADAPTATION SET</p> 	<p>Adaptation set to connect the seat and leg sections, Adaptation set sufficient for one bench (one seat section, two leg sections)</p>	5006953	
<p>FIXING SET LEGS / BENCHES</p>	<p>Consisting of: 7x Allen-head bold DIN 7984 M10x35 A2-70 14x Washer DIN 125 B 10,5 A2 7x Hex-Nut DIN 934 M10 A2</p>	5006966	
<p>LEG SET PIAZZA PLUS</p> 	<p>Curved tubular leg (set of 2 for one bench), diameter 42 mm. For stationary installation in foundations or mobile, drilled on FFB 0. Fully hot-dip galvanised and powder-coated. Dimensions mobile drilled (W x D x H): 619 x 42 x 761 mm Dimensions stationary (W x D x H): 500 x 42 x 1073 mm</p>	<p>Mobile: 54826..*</p> <p>Stationary: 53827..*</p>	
<p>FIXING SET PIAZZA PLUS</p>	<p>Consisting of: 4x Truss-head bolt DIN 603 M10x100 A2-70 8x Truss-head bolt DIN 603 M10x60 A2-70 12x Washer DIN 125 B 10,5 A2 12x Hex-Nut DIN 934 M10 A2</p>	5008262	
<p>LEG SIENA</p> 	<p>Square L-shaped leg 50 x 50mm. For stationary installation in the foundations. Fully hot-dip galvanised. Dimensions (W x D x H): 250 x 50 x 730 mm Also stationary with ground plate FB 150, dimensions: 250 x 50 x 581 mm</p>	<p>Mobile: 5423117 (leg set)</p> <p>stationary: 5367017</p> <p>FB 150: 5376117 (leg set)</p> <p>FB 0: 5387117</p>	

BENCHES – COMPONENTS AND SPARE PARTS

VISUALISATION	TECHNICAL DESCRIPTION	Article number	
<p>LEG SET REST SIENA METRO</p> 	<p>Square L-shaped leg 50 x 50 mm. For stationary installation in the foundations. Fully hot-dip galvanised. Dimensions (W x D x H): 50 x 140 x 1,170 mm</p>	5390117	
<p>ADAPTATIONS</p> 	<p>45° adapter 15° adapter Both adapters made of stainless steel, for connecting seat sections in a 45° or 15° angle, also as a storage place. Including fixing material.</p>	5006942 5006941	
<p>GROUND ANCHOR SET</p> 	<p>Ground anchor set made of round tube, diameter 30 mm, by using the ground anchor, all Erlau benches can be cast stationary in the foundation. Includes anti-theft screw connection Dimensions (W x H): 30 x 300 mm</p>	5006938	
<p>L-WRENCH SET</p>	<p>Suitable for installation of benches, seating groups and ground anchors. Consisting of: 1x 6 hexagon offset screwdriver SW7 1x Torx 40 offset screwdriver with drilled hole 1x Torx 45 offset screwdriver with drilled hole</p>	5007227	
<p>WALL FIXING SET</p> 	<p>Fixing bracket made of laser-cut moulding. Galvanised and powder-coated.</p>	53745..*	
<p>STONEWALL FIXING SET FOR BENCHES</p> 	<p>Fixing bracket made of laser-cut moulding. Made of stainless steel.</p>	5007718	
<p>ANTI-THEFT SCREW CONNECTION LEG/BENCH</p>	<p>Consisting of: 6x safety screws Torx Pin M10x35 A2 (similar to ISO 7380) 12 x washers DIN 125 B 10.5 A2 6x shear nuts M10 A2</p>	5007153	
<p>RETROFITTING SET</p>	<p>Consisting of: 2x brackets• 2x fixing bars• 8x round-head flat screws M10x30, 8x washers, 8x shear nuts M10 Fixing material for installation on existing concrete legs is not included in the scope of supply.</p>	5007159	
<p>CONNECTION ROD FOR RETROFITTING SET</p> 	<p>Connection rod made of laser-cut moulding part and tube 50 x 50 mm, fully hot-dip galvanised. For stabilisation or support as a seat or table section. Dimensions (W x D x H): 1,750 x 160 x 61 mm</p>	5371617	
<p>CUSTOMISED BACKREST DESIGN</p> 	<p>Sandwich panel 1770x340 mm, front made of polycarbonate with digital print on the back, polycarbonate is characterised by high transparency, high heat resistance and very good impact strength. Carrier plate made of phenolic resin-coated birch plywood, glued boil-proof and weatherproof, thickness 18 mm. Phenolic resin film coating in a coating thickness of 120 g/m², colour similar to RAL 8022 (black-brown). Film surface resistant to abrasion, moisture, common chemicals, as well as diluted acids and alkalis. Gluing meets the requirements of international standards: EN 314-2 / class 3 (exterior); DIN 68705-3 / BFU 100; BS 6566 part 8 / WBP. Cutting edges sealed with boat varnish. Any choice of leg and insert Print data requirements: Printable PDF (150-300 DPI), 1,772 x 342 mm.</p>	5008061	













SEAT-SYSTEMS – COMPONENTS AND SPARE PARTS

VISUALISATION	TECHNICAL DESCRIPTION	Article number	
	Side frame made of laser-cut mouldings. All seat and back surfaces with wire mesh. Grid 15 x 30 mm, wire thickness 3.3 mm. Top wires transverse to the direction of seating. With two grid compressions for additional stabilisation. Wire ends framed in ERLAU special profile. Vortex-sintered with polyamide Rilsan, coating thickness min. 350 µm Dimensions (W x D x H): 475 x 641 x 473 mm	53247 ..*	
	Side frame made of laser-cut mouldings. All seat and back surfaces with wire mesh. Grid 15 x 30 mm, wire thickness 4.0 mm. Top wires transverse to the direction of seating. With two grid compressions for additional stabilisation. Wire ends framed in ERLAU special profile. Vortex-sintered with polyamide Rilsan, coating thickness min. 350 µm Dimensions (W x D x H): 475 x 649 x 469 mm	53697 ..*	
	Side frame made of laser-cut mouldings. All seat and back surfaces with pagwood strips. Steel parts vortex-sintered with polyamide Rilsan, coating thickness min. 350 µm. Dimensions (W x D x H): 475 x 649 x 469 mm	53698 ..*	
	Side frame made of laser-cut mouldings. All seat surfaces with wire mesh. Grid 15 x 30 mm, wire thickness 4.0 mm. Mesh wire design with top wires transverse to the direction of seating. With two grid compressions for additional stabilisation. Wire ends framed in ERLAU special profile. Steel parts vortex-sintered with polyamide Rilsan, coating thickness min. 350 µm. Dimensions (W x D x H): 475 x 485 x 69 mm	53718 ..*	
	Side frame made of laser-cut mouldings. All seat surfaces with pagwood strips. Steel parts vortex-sintered with polyamide Rilsan, coating thickness min. 350 µm. Dimensions (W x D x H): 475 x 485 x 69 mm	53719 ..*	
	Armrest Topsit, bevelled laser moulding for attachment to seat pan Topsit with backrest. Galvanised and powder-coated. Dimensions (W x D x H): 30 x 390 x 252 mm	53561..*	
	Consisting of: 2x Spacer Sleeve 2x Torx-head Safety bolt, w. pin, M8x50 A2-70 14 Washer A2 2x Hex-Nut DIN 985 M8 A2	5007366	
	All seat and back surfaces with wire mesh and round tube, diameter 30 mm. Grid 15 x 15 mm, wire thickness 3.3 mm. Top wires transverse to the direction of seating. With two grid compressions for additional stabilisation. Vortex-sintered with polyamide Rilsan, coating thickness min. 350 µm. Dimensions (W x D x H): 450 x 597 x 448 mm	53696 ..*	
	Seat and back surfaces with wire mesh and round tube, diameter 25 mm. Grid 15 x 15 mm, wire thickness 3.3 mm. Top wires transverse to the direction of seating. With two grid compressions for additional stabilisation. Vortex-sintered with polyamide Rilsan, coating thickness min. 350 µm. Dimensions (W x D x H): 445 x 431 x 293 mm	53710 ..*	
	Seat and back surfaces with wire mesh and round tube, diameter 25 mm. Grid 15 x 15 mm, wire thickness 3.3 mm. With two grid compressions for additional stabilisation. Vortex-sintered with polyamide Rilsan, coating thickness min. 350 µm. Dimensions (W x D x H): 405 x 350 x 53 mm	53709 ..*	
	Armrest Allegro made of round tube, for fixing to a 50 x 50 mm substructure. Diameter 30 mm. Vortex-sintered with polyamide Rilsan, coating thickness min. 350 µm. Dimensions (W x D x H): 50 x 457 x 296 mm	53720 ..*	
	Consisting of: (all in stainless-steel) 2x U-bolt, rect. M10 4x Washer 4x Hex-Nut M10	5006940	
	Frame Nova 1-seater, 50 x 50 mm, with welded-on screw-on plates Frame Nova 2-seater, 50 x 50 mm, with welded-on screw-on plates Frame Nova 2.5-seater, 50 x 50 mm, with welded-on screw-on plates Frame Nova 3-seater, 50 x 50 mm, with welded-on screw-on plates Frame Nova 4-seater, 50 x 50 mm, with welded-on screw-on plates Frame Nova 1-seater, for radius execution, 50 x 50 mm, with welded-on screw-on plates	54765..* 54766..* 54773..* 54753..* 54774..* 54775..*	

* All frames fully hot-dip galvanised and powder-coated

















SEAT-SYSTEMS – COMPONENTS AND SPARE PARTS







VISUALISATION	TECHNICAL DESCRIPTION	Article number	
<p>LEG VARI MOBILE</p> 	<p>Fully hot-dip galvanised with opening on both sides for a variable frame alignment, ground plate with drilled holes for fixing. Cover for fixing the frame made of aluminium die-cast with Erlau emblem. Dimensions (W x D x H): 119 x 500 x 395 mm, leg tube diameter: 102 mm</p>	5370017	
<p>LEG VARI STATIONARY</p> 	<p>Fully hot-dip galvanised with opening on both sides for a variable frame alignment. Cover for fixing the frame made of aluminium die-cast with Erlau emblem. Dimensions (W x H): 119 x 744, leg tube diameter: 102 mm</p>	5370117	
<p>LEG NOVA SINGLE, MOBILE, DRILLED</p> 	<p>For mobile installation on FFB 0 with drilled holes for fixing. Fully hot-dip galvanised and powder-coated. Dimensions (W x D x H): 574 x 133 x 348 mm</p>	53786..*	
<p>LEG NOVA DOUBLE, MOBILE, DRILLED</p> 	<p>Required for frame connection. For mobile installation on FFB 0 with drilled holes for fixing. Fully hot-dip galvanised and powder-coated. Dimensions (W x D x H): 574 x 200 x 348 mm</p>	53787..*	
<p>LEG NOVA SINGLE, STATIONARY WITH GROUND PLATE</p> 	<p>For stationary installation on FFB 0 with drilled holes for fixing. Fully hot-dip galvanised and powder-coated. Dimensions (W x D x H): 200 x 150 x 348 mm</p>	53784..*	
<p>LEG NOVA DOUBLE, STATIONARY WITH GROUND PLATE</p> 	<p>Required for frame connection. For stationary installation on FFB 0 with drilled holes for fixing. Fully hot-dip galvanised and powder-coated. Dimensions (W x D x H): 200 x 200 x 348 mm</p>	53785..*	
<p>LEG NOVA SINGLE STATIONARY</p> 	<p>For stationary installation in the foundations. Fully hot-dip galvanised and powder-coated Dimensions (W x D x H): 140 x 133 x 633 mm</p>	53782..*	
<p>LEG NOVA DOUBLE, STATIONARY</p> 	<p>Required for frame connection. For stationary installation in the foundations. Fully hot-dip galvanised and powder-coated Dimensions (W x D x H): 140 x 200 x 633 mm</p>	53783..*	
<p>FIXING SET FOR SEAT ON FRAME NOVA</p>	<p>Consisting of: 7x Allen-head bolt DIN 7984 M10x35 A2-70 14x Washer DIN 125 B 10,5 A2 7x Hex-Nut DIN 934 M10 A2</p>	5006966	
<p>L-WRENCH SET</p>	<p>Suitable for installation of benches, seating groups and ground anchors. Consisting of: 1x 6 hexagon offset screwdriver SW7, 1x Torx 40 offset screwdriver with drilled hole, 1x Torx 45 offset screwdriver with drilled hole</p>	5007227	
<p>WALL FIXING SET</p> 	<p>Fixing bracket made of laser-cut moulding. Galvanised and powder-coated.</p>	53745..*	
<p>STONEWALL FIXING SET FOR SEAT PANS</p> 	<p>Fixing bracket made of laser-cut moulding. Made of stainless steel.</p>	5007183	
<p>FIXING SET FOR SEAT ON FRAME</p>	<p>Consisting of: 4x Hexhead bolt DIN 933 M8x35 A2-70 8x Washer A2 4x Hex-Nut DIN 934 M8 A2</p>	5007229	



SEAT-SYSTEMS – COMPONENTS AND SPARE PARTS











VISUALISATION	TECHNICAL DESCRIPTION	Article number	
<p>SEAT SECTION, STRAIGHT OLYMPIA</p> 	2-seater, straight with knee roll made of steel tube and wire mesh, tube outer diameter 30 mm, wire thickness 3.3 mm, grid 15 x 15 mm, vortex-sintered in polyamide Rilsan min. 350 µm	51326 ..*	
<p>SEAT SECTION, OUTSIDE OLYMPIA</p> 	1-seater, 30° curved, seat surface outside made of steel tube and wire mesh, tube outer diameter 30 mm, wire thickness 3.3 mm, grid 15 x 15 mm, vortex-sintered in polyamide Rilsan min. 350 µm	51330 ..*	
<p>SEAT SECTION, INSIDE OLYMPIA</p> 	1-seater, 30° curved, seat surface inside made of steel tube and wire mesh, tube outer diameter 30 mm, wire thickness 3.3 mm, grid 15 x 15 mm, vortex-sintered in polyamide Rilsan min. 350 µm	51328 ..*	
<p>BACK SECTION, STRAIGHT OLYMPIA</p> 	2-seater, straight with knee roll made of steel tube and wire mesh, tube outer diameter 30 mm, wire thickness 3.3 mm, grid 15 x 15 mm, vortex-sintered in polyamide Rilsan min. 350 µm	51327 ..*	
<p>BACK SECTION, OUTSIDE OLYMPIA</p> 	1-seater, 30° curved to outside made of steel tube and wire mesh, tube outer diameter 30 mm, wire thickness 3.3 mm, grid 15 x 15 mm, vortex-sintered in polyamide Rilsan min. 350 µm	51331 ..*	
<p>BACK SECTION, INSIDE OLYMPIA</p> 	1-seater, 30° curved to inside made of steel tube and wire mesh, tube outer diameter 30 mm, wire thickness 3.3 mm, grid 15 x 15 mm, vortex-sintered in polyamide Rilsan min. 350 µm	51329 ..*	
<p>OUTSIDE LEG OLYMPIA</p> 	Outside leg, straight, stationary, no frame Steel tube leg hot-dip galvanised and powder-coated	51907 ..*	
<p>CENTRE LEG OLYMPIA</p> 	Centre leg, straight, stationary, no frame Steel tube leg hot-dip galvanised and powder-coated	51908 ..*	
<p>OUTSIDE LEG OLYMPIA</p> 	Outside leg, stationary with ground plate Steel tube leg hot-dip galvanised and powder-coated	51949 ..*	
<p>CENTRE LEG OLYMPIA</p> 	Centre leg, stationary with ground plate Steel tube leg hot-dip galvanised and powder-coated	51998 ..*	
<p>RIGHT LEG OLYMPIA</p> 	Right leg, mobile, no frame Steel tube leg hot-dip galvanised and powder-coated	51892 ..*	
<p>LEFT LEG OLYMPIA</p> 	Left leg, mobile, no frame Steel tube leg hot-dip galvanised and powder-coated	51891 ..*	
<p>CENTRE LEG OLYMPIA</p> 	Centre leg, mobile, no frame Steel tube leg hot-dip galvanised and powder-coated	52001 ..*	
<p>CLAMPING LUG OLYMPIA</p> 	Clamping lug galvanised and powder-coated	51893 ..*	

SEAT-SYSTEMS – COMPONENTS AND SPARE PARTS

VISUALISATION	TECHNICAL DESCRIPTION	Article number	
CLAMPING LUG OLYMPIA SINGLE RESTORATION 	clamping lug galvanized and powder-coated	51938..*	
CLAMPING LUG OLYMPIA DOUBLE RESTORATION 	clamping lug galvanized and powder-coated	51937..*	
SEAT SECTION, STRAIGHT OLYMPIA 	2-seater, straight with knee roll made of steel tube and wire mesh, tube outer diameter 30 mm, wire thickness 3.3 mm, grid 15 x 15 mm, vortex-sintered in polyamide Rilsan min. 350 µm	59754 ..*	
SEAT SECTION, STRAIGHT OLYMPIA 	3-seater, straight with knee roll made of steel tube and wire mesh, tube outer diameter 30 mm, wire thickness 3.3 mm, grid 15 x 15 mm, vortex-sintered in polyamide Rilsan min. 350 µm	51233 ..*	
SEAT SECTION, CURVED OLYMPIA 	1-seater, 30° curved with knee roll made of steel tube and wire mesh, tube outer diameter 30 mm, wire thickness 3.3 mm, grid 15 x 15 mm, vortex-sintered in polyamide Rilsan min. 350 µm	59714 ..*	
STATIONARY LEG OLYMPIA 	Stationary leg Steel tube leg, hot-dip galvanised and powder-coated	51727 ..*	
STATIONARY LEG OLYMPIA 	Stationary leg with ground plate Steel tube leg hot-dip galvanised and powder-coated	51728 ..*	
MOBILE LEG OLYMPIA 	Mobile leg Steel tube leg, hot-dip galvanised and powder-coated	51729 ..*	
ACCESSORIES OLYMPIA WITHOUT BACKREST	Consisting of: (All parts made of stainless steel) 4 x hexagon screws M10 x 75 8 x washers 4 x hexagon nuts M10	5000707	



SEAT-TABLE-COMBINATIONS – COMPONENTS AND SPARE PARTS

VISUALISATION	TECHNICAL DESCRIPTION	Article number	
<p>SEAT ELEMENT HARMONY 180 WITH BACKREST</p> 	<p>All seat and back surfaces with wire mesh and round tube, diameter 38 mm. Grid 15 x 15 mm, wire thickness 3.3 mm. Top wires transverse to the direction of seating. With two grid compressions for visualised seating places and for additional stabilisation. Vortex-sintered with polyamide Rilsan, coating thickness min. 350 µm. Dimensions (W x D x H): 1,800 x 513 x 442 mm</p>	53653 ..*	
<p>SEAT/TABLE ELEMENT HARMONY 180</p> 	<p>Seat surface made of wire mesh and round tube, diameter 38 mm. Grid 15 x 15 mm, wire thickness 3.3 mm. Top wires transverse to the direction of seating. With two grid compressions for visualised seating places and for additional stabilisation. Vortex-sintered with polyamide Rilsan, coating thickness min. 350 µm. Dimensions (W x D x H): 1,800 x 430 x 48 mm</p>	53656 ..*	
<p>SEAT ELEMENT STYLE 180 WITH BACKREST</p> 	<p>Frame made of laser-cut mouldings and round tube 38 mm. All metal parts vortex-sintered with polyamide Rilsan, coating thickness min. 350 µm. Dimensions (W x D x H): 1,800 x 521 x 449 mm</p>	54828 ..*	
<p>SEAT/TABLE ELEMENT STYLE 180</p> 	<p>Frame made of laser-cut mouldings and round tube 38 mm. All metal parts vortex-sintered with polyamide Rilsan, coating thickness min. 350 µm. Dimensions (W x D x H): 1,800 x 436 x 47 mm</p>	54829 ..*	
<p>SEAT/TABLE ELEMENT SOLID TOP NARROW</p> 	<p>Solid top made of pressed melamin resin-coated decor papers and 50 - 60 phenolic resin-impregnated core layers. With pressed overlay. Decor: Ceramico. Bulk density of 1,350 kg/m³. Dimensions (W x D x H): 1,800 x 430 x 13 mm</p>	5006973	
<p>TABLE ELEMENT SOLID PLATE WIDE</p> 	<p>Solid top made of pressed melamin resin-coated decor papers and 50 - 60 phenolic resin-impregnated core layers. With pressed overlay. Decor: Ceramico. Bulk density of 1,350 kg/m³. Dimensions (W x D x H): 1,800 x 770 x 13 mm</p>	5006972	
<p>CONNECTION ROD</p> 	<p>Connection rod for solid top made of laser-cut mouldings and tube 50 x 50 mm fully hot-dip galvanised. For stabilisation or support of the solid top as a seat or table section. Dimensions (W x D x H): 1,750 x 160 x 61 mm</p>	5371617 (on wide plate 2x)	
<p>COATED CONNECTION ROD</p> 	<p>Connection rod for solid top made of laser-cut mouldings and tube 50 x 50 mm fully hot-dip galvanised and coated. For stabilisation or support of the solid top as a seat or table section. Dimensions (W x D x H): 1,750 x 160 x 61 mm</p>	53716..* (on wide plate 2x)	
<p>TABLE TOP HARMONY 180 WIDE</p> 	<p>Table surface made of wire mesh and round tube, diameter 38 mm. Grid 15 x 15 mm, wire thickness 3.5 mm. With two grid compressions for visualised seating places and for additional stabilisation. Vortex-sintered with polyamide Rilsan, coating thickness min. 350 µm. Dimensions (W x D x H): 1,800 x 770 x 44 mm</p>	53721..*	
<p>TABLE ELEMENT STYLE 180 WIDE</p> 	<p>Frame made of laser-cut mouldings and round tube 38 mm. All metal parts vortex-sintered with polyamide Rilsan, Coating thickness min. 350 µm. Dimensions (W x D x H): 1,800 x 790 x 51 mm</p>	54830..*	

SEAT-TABLE-COMBINATIONS – COMPONENTS AND SPARE PARTS



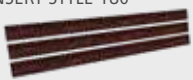
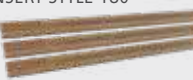





VISUALISATION	TECHNICAL DESCRIPTION	Article number	
<p>MESH INSERT STYLE 180</p> 	<p>Insert made of wire mesh, seat and/or back surface all with wire mesh. Grid 15 x 30 mm, wire thickness 4.0 mm. Top wires transverse to the direction of seating. With three grid compressions for additional stabilisation. Bevelled wire ends. Vortex-sintered with polyamide Rilsan, coating thickness min. 350 µm. Dimensions (L x H x D): 1,771 x 345 x 38 mm</p>	53661 ..*	
<p>FIXING SET MESH INSERT STYLE</p>	<p>Consisting of: 6x Pan-head bolt M6x25 A2 6x Washer DIN 9021 6,4 A2</p>	5006965	
<p>PAGWOOD INSERT STYLE 180</p> 	<p>Wooden plank insert made of resin-impregnated and cross-bonded laminated veneer wood of domestic red beech. For screw-connection as a seat and/or backrest surface. Dimensions (L x H x D): 1,770 x 340 x 40 mm, width of one plank 100 mm</p>	5006873	
<p>DARK BAMBOO INSERT STYLE 180</p> 	<p>Planks made of dark fibre bamboo. For screw-connection as a seat and/or backrest surface. Dimensions (L x H x D): 1,770 x 340 x 40 mm, width of one plank 100 mm</p>	5006870	
<p>BAMBOO SAVANNA INSERT STYLE 180</p> 	<p>Planks made of line-bonded bamboo. For screw-connection as a seat and/or backrest surface. Dimensions (L x H x D): 1,770 x 340 x 40 mm, width of one plank 100 mm</p>	5008144	
<p>ACCOYA INSERT STYLE 180</p> 	<p>Accoya planks. For screw-connection as a seat and/or backrest surface. Dimensions (L x H x D): 1,770 x 340 x 40 mm, width of one plank 100 mm</p>	5008063	
<p>RECYCLED PLASTIC INSERT STYLE 180</p> 	<p>Planks made of recycled plastic, reinforced solid material, maintenance-free, weather-resistant. For screw-connection as a seat and/or backrest surface. Dimensions (L x H x D): 1,770 x 340 x 40 mm, width of one plank 100 mm</p>	5006872	
<p>LEG SET PARADOR</p> 	<p>Leg set Parador, set of two legs, mobile, drilled, made of round tube, diameter 38 mm, fully hot-dip galvanised. Leg dimensions (W x D x H): 38 x 952 x 685 mm</p>	5367117	
<p>LEG SET BAMBINO</p> 	<p>Leg set Bambino, set of two legs, mobile, drilled, made of round tube, diameter 38 mm, fully hot-dip galvanised. Leg dimensions (W x D x H): 38 x 952 x 485 mm</p>	5367317	
<p>FIXING SET PARADOR / BAMBINO</p>	<p>Consisting of: 12x Truss-head bolt DIN 603 M10x55 A2-70 6x Truss-head bolt DIN 603 M10x90 A2-70 20x Washer DIN 125 B 10,5 A2 14x Hex-Nut DIN 934 M10 A2</p>	5007002	
<p>CROSSBAR TZN 1.800 MM</p> 	<p>Round tube crossbar 38 mm, fully hot-dip galvanised. Dimensions (W x D x H): 1,725 x 38 x 65 mm</p>	5367217	
<p>CROSSBAR TZN 1,200 MM</p>	<p>Round tube crossbar 38 mm, fully hot-dip galvanised. Dimensions (W x D x H): 1,125 x 38 x 65 mm</p>	5399917	
<p>CROSSBAR COATED 1,800 MM</p>	<p>Round tube crossbar 38 mm, fully hot-dip galvanised. Dimensions (W x D x H): 1,725 x 38 x 65 mm</p>	53672..*	
<p>CROSSBAR COATED 1,200 MM</p>	<p>Round tube crossbar 38 mm, fully hot-dip galvanised. Dimensions (W x D x H): 1,125 x 38 x 65 mm</p>	53999..*	



TABLE-COMBINATIONS – COMPONENTS AND SPARE PARTS




VISUALISATION	TECHNICAL DESCRIPTION	Article number	
GROUND ANCHOR SET 	Ground anchor set made of round tube, diameter 30 mm, by using the ground anchor, all Erlau seat-table combinations can be cast stationary in the foundation. Includes anti-theft screw connection. Dimensions (W x H): 30 x 300 mm	5006938	
L-WRENCH SET	Suitable for installation of benches, seating groups and ground anchors. Consisting of: 1x 6 hexagon offset screwdriver SW7; 1x Torx 40 offset screwdriver with drilled hole; 1x Torx 45 offset screwdriver with drilled hole	5007227	
SHEAR NUTS SET	Consisting of: 14x shear nuts M10 A2	5007154	
SOLID TOP, WIDE 	Solid top made of pressed melanin resin-coated decor papers and 50 - 60 phenolic resin-impregnated core layers. With pressed overlay. Decor: Ceramico. Bulk density of 1,350 kg/m ³ . Dimensions (W x D x H): 1,800 x 770 x 13 mm	5006972	
CONNECTION ROD 	Connection rod for solid top made of laser-cut mouldings and tube 50 x 50 mm fully hot-dip galvanised. For stabilisation or support of the solid top as a seat or table section. Dimensions (W x D x H): 1,750 x 160 x 61 mm	2 x 5371617	
COATED CONNECTION ROD	Connection rod for solid top made of laser-cut mouldings and tube 50 x 50 mm fully hot-dip galvanised and coated. For stabilisation or support of the solid top as a seat or table section. Dimensions (W x D x H): 1,750 x 160 x 61 mm	2 x 53716..*	
HARMONY 180 WIDE 	Table surface made of wire mesh and round tube, diameter 38 mm. Grid 15 x 15 mm, wire thickness 3.3 mm. With two grid compressions for visualised seating places and for additional stabilisation. Vortex-sintered with polyamide Rilsan, coating thickness min. 350 µm. Dimensions (W x D x H): 1,800 x 770 x 48 mm	53721..*	
HARMONY 120 WIDE 	Table surface made of wire mesh and round tube, diameter 38 mm. Grid 15 x 15 mm, wire thickness 3.3 mm. With two grid compressions for visualised seating places and for additional stabilisation. Vortex-sintered with polyamide Rilsan, coating thickness min. 350 µm. Dimensions (W x D x H): 1,200 x 770 x 48 mm	54087..*	
TABLE ELEMENT STYLE 180 WIDE 	Frame made of laser-cut mouldings and round tube 38 mm. All metal parts vortex-sintered with polyamide Rilsan, Coating thickness min. 350 µm. Dimensions (W x D x H): 1,800 x 790 x 51 mm	54830..*	
LEG TABULA, MOBILE, DRILLED 	Leg Tabula, set made of four leg sections, mobile, drilled, made of round tube, diameter 38 mm, fully hot-dip galvanised and powder-coated. Leg dimensions (W x D x H): 38 x 348 x 686 mm	54831..*	
LEG TABULA, STATIONARY 	Leg Tabula, set made of four leg sections, stationary, made of round tube, diameter 38 mm, fully hot-dip galvanised and powder-coated. Leg dimensions (W x D x H): 38 x 316 x 955 mm	54832..*	
FIXING SET TABULA	Consisting of: 12x Truss-head bolt DIN 603 M10x55 A2-70 6x Truss-head bolt DIN 603 M10x90 A2-70 20x Washer DIN 125 B 10,5 A2 14x Hex-Nut DIN 934 M10 A2	5007002	
FOOT SIENA MAXI, STATIONARY 	Leg Siena Maxi, set of four leg sections, square L-shaped leg 50 x 50 mm. For stationary installation in the foundations. Fully hot-dip galvanised. Dimensions (W x D x H): 250 x 50 x 1000 mm Variant FP 150 Dimensions (W x D x H): 250 x 50 x 836 mm Variant FP 0	5373117 5373217 5387217	

TABLE-COMBINATIONS – COMPONENTS AND SPARE PARTS



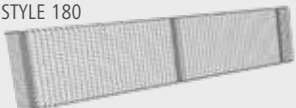












VISUALISATION	TECHNICAL DESCRIPTION	Article number	
<p>LEG QUADRI MAXI MOBILE</p> 	<p>Leg made of laser-cut moulding. Angled and square design. For mobile installation on FFB 0. Simple anti-theft anchoring by means of integrated drilled fixing holes. Ground anchor for casting in the foundation optionally available at a surcharge. Fully hot-dip galvanised and powder-coated. Leg Quadri Maxi cannot be combined with solid top 5006972. Dimensions (W x H): 430 x 730 mm Adaptation set (5006953) is required for fixing.</p>	53829..*	
<p>FIXING SET QUADRI MAXI</p>	<p>Consisting of: 8x Allen-head bolt DIN7984 M10x30 A2-70 16x Washer DIN 125 B 10,5 A2 8x Hex-nut DIN 934 M10 A2</p>	5007349	
<p>FOOT PRIMAVERA MAXI</p> 	<p>V-shaped round tube leg, diameter 38 mm. Mobile with fixing tabs (must be anchored). Adaptation set (5006953) is required for fixing.</p>	53869..*	
<p>FIXING SET LEG / TABLE</p>	<p>Consisting of: 7x Allen-head bolt DIN 7984 M10x35 A2-70 14x Washer DIN 125 B 10,5 A2 7x Hex-Nut DIN 934 M10 A2</p>	5006966	
<p>MESH INSERT STYLE 180</p> 	<p>Insert made of wire mesh, seat and/or back surface all with wire mesh. Grid 15 x 30 mm, wire thickness 4.0 mm. Top wires transverse to the direction of seating. With three grid compressions for additional stabilisation. Bevelled wire ends. Vortex-sintered with polyamide Rilsan, coating thickness min. 350 µm. Dimensions (L x H x D): 1,771 x 345 x 38 mm</p>	53661 ..*	
<p>FIXING SET WIREMESH INSERT</p>	<p>Consisting of: 6x Pan-head bolt M6x25 A2 6x Washer DIN 9021 6,4 A2</p>	5006965	
<p>PAGWOOD INSERT STYLE 180</p> 	<p>Wooden plank insert made of resin-impregnated and cross-banded laminated veneer wood of domestic red beech. For screw-connection as a seat and/or backrest surface. Dimensions (L x H x D): 1,770 x 340 x 40 mm, width of one plank 100 mm</p>	5006873	
<p>BAMBOO SAVANNA INSERT STYLE 180</p> 	<p>Planks made of line-bonded bamboo. For screw-connection as a seat and/or backrest surface. Dimensions (L x H x D): 1,770 x 340 x 40 mm, width of one plank 100 mm</p>	5008144	
<p>DARK BAMBOO INSERT STYLE 180</p> 	<p>Planks made of fibre bamboo. For screw-connection as a seat and/or backrest surface. Dimensions (L x H x D): 1,770 x 340 x 40 mm, width of one plank 100 mm</p>	5006870	
<p>ACCOYA INSERT STYLE 180</p> 	<p>Accoya planks. For screw-connection as a seat and/or backrest surface. Dimensions (L x H x D): 1,770 x 340 x 40 mm. Width of one plank 100 mm</p>	5008063	
<p>RECYCLED PLASTIC INSERT STYLE 180</p> 	<p>Planks made of recycled plastic, reinforced solid material, maintenance-free, weather-resistant. For screw-connection as a seat and/or backrest surface. Dimensions (L x H x D): 1,770 x 340 x 40 mm, width of one plank 100 mm</p>	5006872	



TABLE-COMBINATIONS – COMPONENTS AND SPARE PARTS

VISUALISATION	TECHNICAL DESCRIPTION	Article number	
 <p>CROSSBAR TZN 1,800 MM</p>	<p>Round tube crossbar 38 mm, fully hot-dip galvanised. Dimensions (W x D x H): 1,725 x 38 x 65 mm</p>	5367217	
<p>CROSSBAR TZN 1,200 MM</p>	<p>Round tube crossbar 38 mm, fully hot-dip galvanised. Dimensions (W x D x H): 1,125 x 38 x 65 mm</p>	5399917	
<p>CROSSBAR COATED 1,800 MM</p>	<p>Round tube crossbar 38 mm, fully hot-dip galvanised. Dimensions (W x D x H): 1,725 x 38 x 65 mm</p>	53672..*	
<p>CROSSBAR COATED 1,200 MM</p>	<p>Round tube crossbar 38 mm, fully hot-dip galvanised. Dimensions (W x D x H): 1,125 x 38 x 65 mm</p>	53999..*	
<p>SHEAR NUTS SET</p>	<p>Consisting of: 14x shear nuts M10 A2</p>	5007154	
 <p>HARMONY</p>	<p>Table surface made of wire mesh and round tube, diameter 38mm. Grid 15 x 15 mm, wire thickness 3.3 mm Dimensions (W x D x H): 750 x 770 x 44 mm</p>	53924..*	
 <p>STATIONARY LEG</p>	<p>Leg made of round tube, diameter 60 mm, stationary for setting in concrete</p>	53923..*	
 <p>MOBILE LEG</p>	<p>Leg made of round tube, diameter 60 mm, mobile</p>	53981..*	
 <p>LEG WITH GROUND PLATE FP0</p>	<p>Leg made of round tube, diameter 60 mm, with ground plate FP0</p>	53921..*	
 <p>LEG BAR TABLE STATIONARY</p>	<p>Bar table leg made of round tube, diameter 60 mm, stationary for setting in concrete</p>	53920..*	
 <p>BAR TABLE LEG WITH GROUND PLATE FP 150</p>	<p>Bar table leg made of round tube, diameter 60 mm, with ground plate FP150</p>	53922..*	
<p>FIXING SET LEG / TABLE</p>	<p>Consisting of: 4x Hexhead bolt DIN 933 M8x35 A2-70 8x Washer A2 4x Hex-Nut DIN 934 M8 A2</p>	5007229	
<p>REPAIRING SET PEDALO</p>	<p>Repairing set Pedalo feuerverzinkt pulverbeschichtet</p>	5330817 53308..*	



YOUR PROJECT

IS IN GOOD HANDS!



**Do you need help with planning?
Get in touch!
We would be happy to help.**



ADVANTAGES OF WIRE MESH

Transparency and stability.

The traditional feature of many items of Erlau furniture is our wire mesh. It has been manufactured to the highest quality here in Aalen for over 50 years - from drawing the wire to the finished product. Special features can also be designed, such as our "grid compression" in places where less transparency but more stability is desired.



NON-POROUS, SMOOTH SURFACE WITH RILSAN ANTI-GRAFFITI COATING



Vandalism-resistant

Dirt drips off or simply flows off with rain, thus optimal cleaning

Extremely fast drying and therefore always ready to use


Easy wiping of paints, varnishes, resins and adhesives

Weather-resistant

10 year anti-rust guarantee

Our coating thickness of 350 µm creates a thermal insulation that ensures a comfortable seating temperature all year round

Extra stability thanks to grid compression



ADVANTAGES OF PAGWOOD®

Durability and quality.

In order to be able to meet the high demands on durability and quality even when using wood, we use the brand product Pagholz®. This is a resin-impregnated laminated wood made of very thin, cross-glued veneers of domestic red beech.



GLOSSY, STURDY SURFACE

FSC-certified

Flame retardant. According to DIN EN 3501-1 C-s1-d0

Resistant to chemicals and solvents, resulting in easy cleaning

Moisture is not absorbed, so it can be used quickly again after rainfall

Combines the aesthetics and warmth of wood with the durability of steel - and is also flexible and particularly long-lasting

Easy-care: Depending on the weather conditions it is sufficient to treat the pagwood approx. once a year with "Osmo" UV protection oil to maintain the shiny surface.

Vandalism-resistant



ADVANTAGES OF DARK BAMBOO

Hardness and tensile strength.

For thousands of years, bamboo has been of outstanding importance to the Chinese as a raw and building material, and in Europe, it is becoming increasingly important due to its positive properties.



SUSTAINABLE

Bamboo is frayed and “cooked” carbonised, which removes sugars and thus also the breeding ground for micro-organisms and substance-destroying fungi

Compression of the fibres with glue under extremely high pressure and heat leads to a high density, therefore extremely durable and vandalism resistant

Reduced water absorption

Shrinkage and swelling behaviour is almost zero

Resistance to heat and frost

Durability class 1 (very good)

Fire behaviour according to DIN EN 13501-1 B-s1-d0 (flame resistant)

ADVANTAGES OF BAMBOO SAVANNA

Bamboo is characterised by enormous hardness and tensile strength combined with high elasticity, a combination that is both rare and advantageous. It grows up to 30 cm per day, can be felled after only 5 years and is therefore extremely sustainable.



SUSTAINABLE



Line-bonded, impregnated solid bamboo planks

Weather-resistant

Regular cleaning and care with appropriate thin-layer varnishes project the planks against weather-related discolouration

Highest durability class 1 (very good)

Usage class 4

Fire behaviour according to DIN EN 13501-1 B-s1-d0 (flame resistant)



ADVANTAGES OF RECYCLED PLASTIC

INNOVATION AND SUSTAINABILITY

Innovative material made from recycled plastic products, specifically from secondary raw materials generated from production or consumer waste. This results in an impressively resistant and robust material. Steel reinforcements make the planks dimensionally stable.



MAINTENANCE-FREE

Moisture-repellent, no water absorption, quick drying

Maintenance-free: No investment necessary such as painting, varnishing or sanding

Long period of use

Resistant to oils, lyes, acids and salt water

Vandalism-resistant and dimensionally stable due to steel reinforcement

UV-resistant

The material consists of secondary plastics, explicitly polyolefin blends (mixture of polyethylene (LDPE/HDPE) and polypropylene (PP)) with a material purity level > 95 %. This conserves environmental resources.





ADVANTAGES OF ACCOYA

Accoya® is wood, but more resilient.

By means of acetylation from the surface to the core, the sustainable *Pinus Radiata* (pine) is modified. The result is a durable, stable and beautiful solid wood that has similar properties to many tropical woods, but also adheres to the highest environmental standards. Accoya® is very easy to maintain and still retains a natural beauty.



RESISTANT



Durable, sturdy and beautiful solid wood

FSC-certified

Cradle to Cradle Gold certified

Ideal for use on playgrounds with timber play apparatus

In direct sunlight, Accoya® heats up to a maximum of 43°C

Highest durability class 1 (very good)

**Fire behaviour according to
DIN EN 13501-1D-s2-d0**



ADVANTAGES OF IROKO

Durable and elegant.

Also known as African Teak or Kambala, Iroko wood comes from Central Africa and is characterised by its extreme resistance to pressure, moisture and pests. This makes it ideally suited to use in open spaces. The golden-brown shimmering, contrasting grained wood is almost knot-free and has a distinctly elegant look.



STRONG & AESTHETIC



FSC-certified

Natural durability (class 1-2)

Weather-resistant

Very hard and extremely resilient

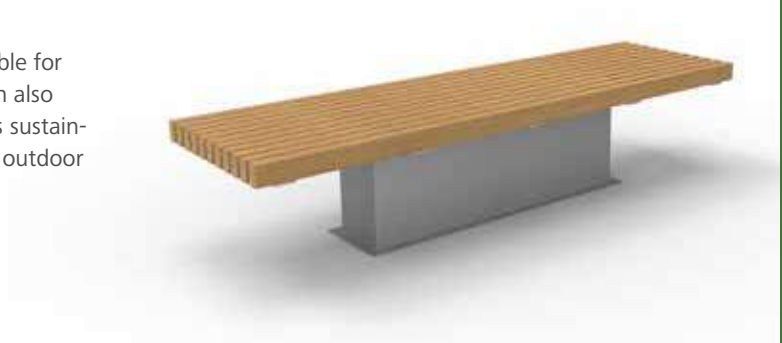
Elegant look



ADVANTAGES OF ROBINIA

A proven classic for open spaces.

Also known as false acacia, robinia is particularly suitable for outdoor use due to its naturally high durability and can also withstand even heavy stresses. As a material, robinia is sustainable and reliable not only for playgrounds but also for outdoor furniture.



TIMELESS & BEAUTIFUL



Renewable raw material (up to 30 m)

The most weather-resistant wood in Europe

Decorative and resilient

Matt silky sheen

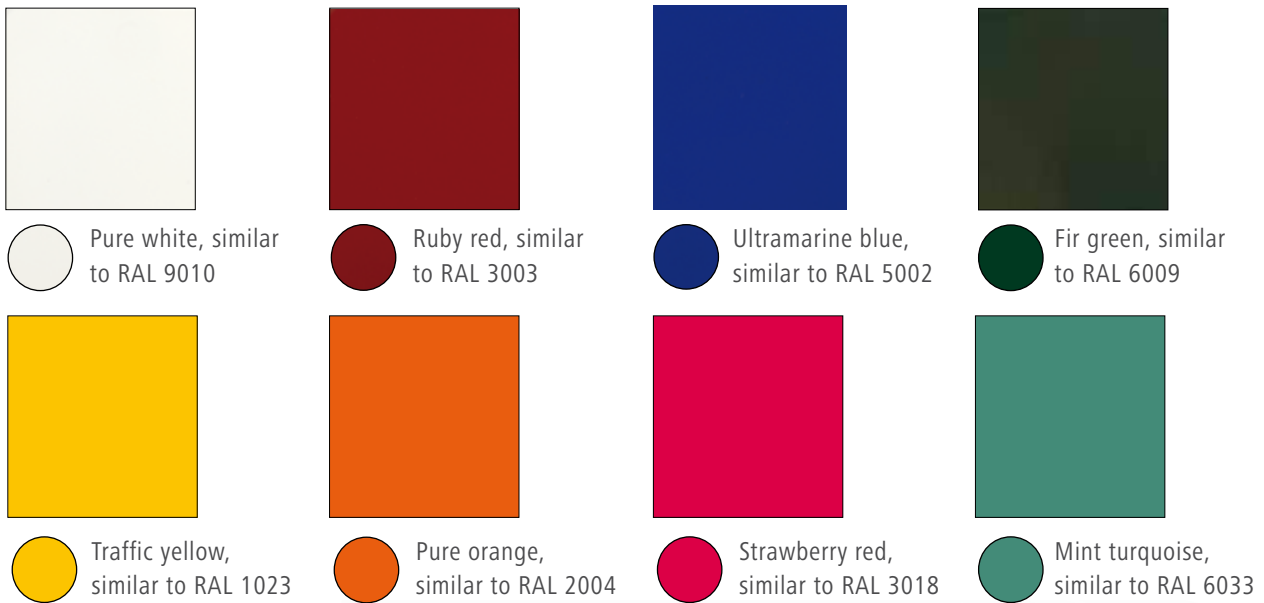
Durability class 1-2

COLOUR VARIANTS

Standard colours I* Including anti-graffiti coating



Standard colours II**



MORE COLOURS
ON REQUEST.



Perfect protection against graffiti – Erlau anti-graffiti coatings

ANTI-GRAFFITI COATING

COATING

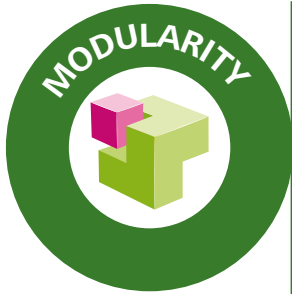
For optimal protection of your furniture, **you will an anti-graffiti coating as standard with Erlau in the standard colours 1.** This allows all types of graffiti to be easily wiped off using biodegradable paint removers. Stickers can also be easily removed. In addition, this additional coating ensures increased protection against dust and air pollution, whilst

the rain easily washes off most of these impurities. Another desired additional effect of this coating is even faster drying after a downpour. **The Erlau anti-graffiti surface against resins and varnishes, adhesives and dirt - absolutely weatherproof and easy to clean. The protective shield against un"soluble" sprays.**

PROTECT YOUR FURNITURE!



10 REASONS WHY YOU...



- Combine the legs and seat sections or our different materials to suit your taste thanks to our modular system.
- Customised design of benches, tables, seat-table combinations and waste containers.
- Adjustable seat inclination.



- Erlau furniture is vortex-sintered and has an extreme layer thickness of min. 350 µm.
- This makes the surface water-repellent.
- Can be used all year round thanks to thermal insulation.



- In the construction of our products, we pay attention to the best possible protection against intentional destruction: Grid compressed wire mesh seat and back surfaces and wire ends partially enclosed in special profile prevent wilful leverage.
- The metal frame edging withstands extreme loads and protects against collision damage.



- The water-repellent surface counteracts corrosion.
- Therefore, we offer you a 10-year anti-rust guarantee.



- For optimal protection of your furniture, you will an anti-graffiti coating as standard with Erlau in the standard colours 1.
- This allows all types of graffiti to be easily wiped off using biodegradable paint removers.

...SHOULD CHOOSE ERLAU OUTDOOR FURNITURE



- High-quality raw materials.
- The materials used by Erlau meet the highest quality standards in terms of sustainability, environmental friendliness and durability.



- The open wire mesh structure and the smooth surface allows no stagnant moisture or humidity.
- The non-porous, smooth surface made of Rilsan allows for optimal cleaning - even with a high-pressure cleaner. Furthermore, there is very little susceptibility to dirt. The furniture is cleaned when it rains.



- Save with Erlau! The high quality and consistency of Erlau products ensure durability and stability.
- This means that far fewer repairs / new purchases and therefore financial outlay are necessary.



- Standardised interfaces allow easy installation.
- If necessary, individual components can be replaced without too much work involved.



- Due to the highest quality of materials and precision in the production in our factory in Aalen, our furniture is guaranteed to be sturdy.
- Various manufacturing processes, such as our grid compression for wire mesh, also have a positive effect on stability.

GUARANTEED QUALITY

OUR ERLAU WARRANTY TERMS:

For hot-dip galvanised products, Erlau provides a 10-year guarantee against rusting through from the inside to the outside (except for the "CityLine" product line). Accordingly, damage caused by external influences, such as the impact of foreign bodies, scratches, dents, bumps, the effects of corrosive substances or substances containing solvents, etc. are excluded. Damages caused by natural wear are also ruled out. The rust-through warranty does not apply if the units are exposed to salty or chlorinated atmospheres or if they come into contact with road salt.

Erlau reserves the right to limit the warranty on rust-through depending on the intended place of use. The customer is therefore obliged to inform the warranty-provider about the planned place of use and to point out any special stresses to be expected.

A prerequisite for this warranty is regular visual inspections and any resulting damage repairs. Damage to the paint and galvanisation must be repaired professionally without delay. The repair must be documented. For repaired areas, the rust-through warranty expires for damage within a radius of 30 cm of the repaired area. At the first signs of possible rusting through from the inside to the outside, e.g. in the case of blistering, the warranty-provider must be informed immediately and be given the opportunity to carry out measures to prevent further damage, but he is not obliged to do so.

Pagwood is guaranteed for 5 years by the manufacturing company. Furniture exposed to the weather must be regularly maintained according to our recommendations. This must also be documented.

Damage caused by external influence or improper use and unnatural wear and tear are excluded from the warranty.

The warranty only covers the repair or replacement of damaged parts, including transport costs, as well as the wages of a skilled worker within the usual scope. The warranty-provider is not obliged to perform the work, but may insist on its performance by him or by third parties commissioned by him.

If the work is not performed or commissioned by the warranty-provider, it must be approved by the warranty-provider before it is commissioned by submitting a cost estimate. Improper use, improper assembly or dismantling, improper transport and/or improper storage will invalidate the warranty. In the event of a change of location or resale, the warranty-provider must be informed. If necessary, he may limit the warranty or withdraw it completely.

Further warranty claims and claims to replacement of damages do not exist.

ERLAU

TERMS OF DELIVERY AND PAYMENT:

All prices are in EURO per item plus VAT. Delivery ex works Aalen on the basis of our General Terms and Conditions of Sale (GTC).

Available at www.erlau.com, subject to the fulfilment of the conditions of our trade credit insurance.

Our invoices are payable within 30 days without deduction.

We ship "Ex Works", meaning the goods travel on the expense and risk of the buyer. It is the buyers obligation to have goods properly insured. All complaints, regardless of cause, will only be honored when filed within 14 days after receipt of shipment. The receiver of the merchandise has to check the goods immediately upon receipt for any deviation in respect of quantity and /or quality from the contractual agreed quality. Any obvious, ascertained defects have to be reported within 14 days; any latent defects no later than 6 months after receipt of the products, always in writing. Any damages to either packaging and/or product upon receipt of the shipment need to be well documented, on the delivery note /receipt document of the freight forwarder as well as with pictures. These documents need to be forwarded immediately to Erlau.

For closed shipments up to an invoice net value of EUR 5,000, we charge 10 % freight of the net value of the goods (for German receipt location). For orders over EUR 5,000 net value of goods, we deliver carriage paid.

Orders in the e-shop are carriage paid. For orders outside our e-shop, we have a minimum order value of EUR 100 / net value of goods. For orders below this amount, we charge a handling fee for the difference.

For shipments outside the German mainland, freight is offered and charged individually.

Special services such as express delivery or delivery with lifting platform possible for an additional charge.

The packaging will neither be charged nor taken back; seaworthy packaging, however, will always be invoiced.

Within the Federal Republic of Germany, our packaging can be registered for collection with Interseroh.

All prices are without installation, earthwork and concreting work. On request, assembly can be carried out by our fitters against reimbursement of the costs incurred. Detailed instructions are available for installation by clients. Earthworks and concreting work must always be carried out by the client according to our measurements. Unloading and/or dividing up the ordered goods to individual floors, storage locations and parking spaces is not part of our scope of services.

We exclude the return of goods without our express consent.

If we agree to take back goods, only our return notes are to be used.

AALEN AND THE WORLD

CONTRACT FURNISHING AROUND THE GLOBE



Swiss central railway, bench Quadri Style



Metrolinx Canada, seating group Vari Topsit



A8, Burgau service station, seat-table combination Parador



Jewish cemetery Mannheim, bench Stella Style



Outdoor pool Ostalbkreis, lounge Marina with deposit system



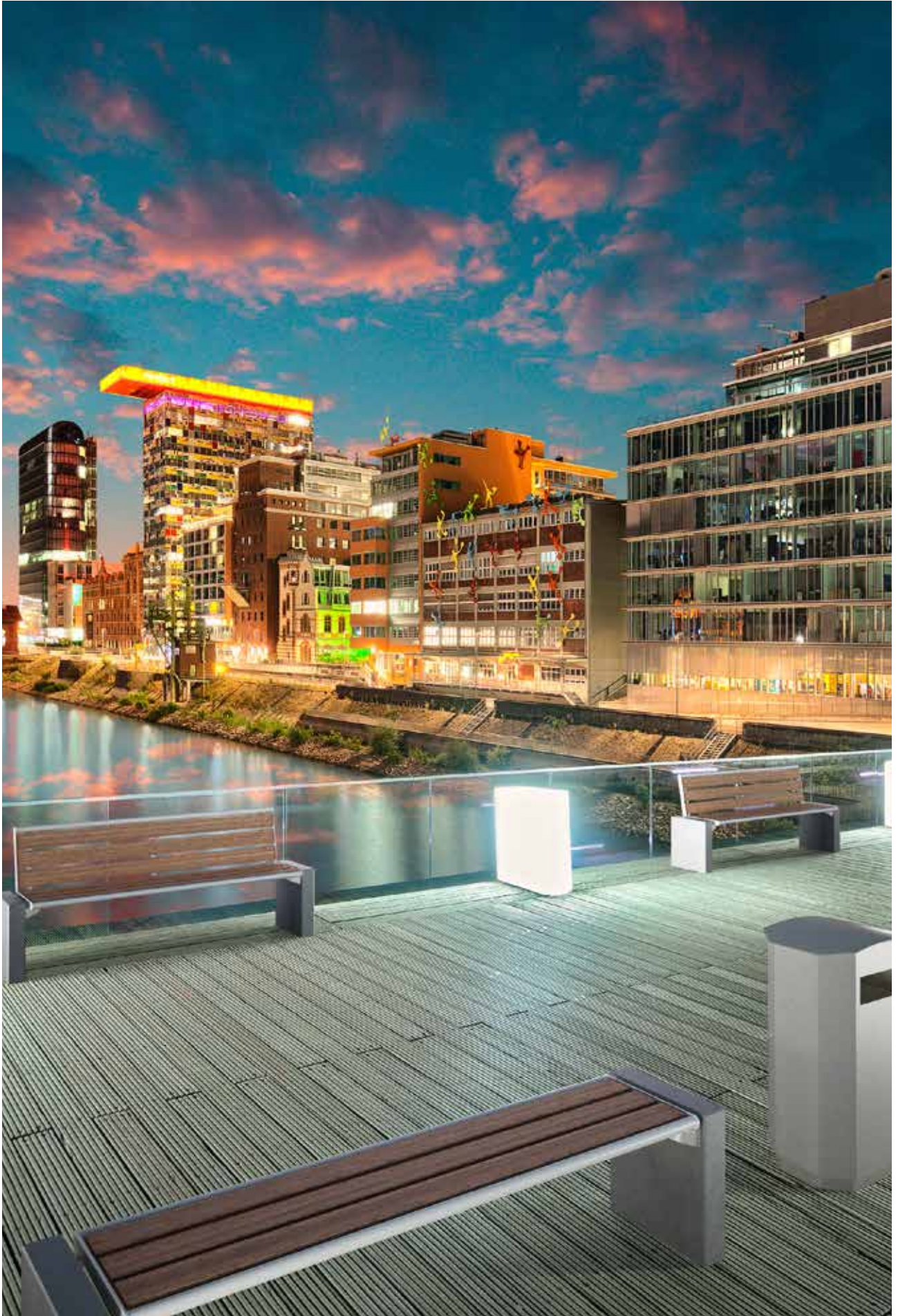
Bern, seating group Olympia Nova

GERMANY, AUSTRIA, SWITZERLAND

- Münster train station
- Berlin-Ostkreuz train station
- Mölln train station
- Saxon Steamship Company Dresden
- Marina/harbour, Schaprade
- Stuttgart airport, multi-storey car park / bus stops
- Hamburger Hochbahn
- Berlin transport service
- Cologne transport service
- Dresden transport service
- A1, service station Lennhof
- A3, PWC Wellerbach-Wiesenthal
- A6, PWC Rothensteig
- SAP headquarters, Walldorf
- Audi, Ingolstadt / Neckarsulm
- BMW AG, Munich
- Siemens AG, Nürnberg
- TOTAL Deutschland GmbH, Berlin
- Festo AG & Co. KG, Esslingen
- Bosch Siemens Hausgeräte GmbH, Dillingen
- Josef Witt GmbH, Weiden
- Penny-Markt GmbH, Norderstedt
- Ravensburger Spieleland, Ravensburg
- Badeparadies Schwarzwald, Titisee-Neustadt
- Robinson Club Fleesensee, Göhren-Lebbin
- Fächerbad, Karlsruhe
- Hanover University
- Potsdam University
- Olympiapark, Munich
- Pedestrian zone Königstraße, Stuttgart
- City park and lake stage, Mannheim
- Parkfriedhof, Essen
- Horticultural show Enzgärten, Mühlacker
- Alla Hopp, Sinsheim
- Rathausplatz, Würth
- Scholz-Arena, Aalen
- Caritas-Seniorenheim St. Josef, Nürnberg
- Caritas-Erzbistum, Paderborn
- ÖBB Austrian railway
- Minimundus, Klagenfurt
- BMW motors, Steyr
- Magistrate, Vienna
- Krankenhaus der Barmherzigen Brüder, Salzburg
- ZB: Swiss Central Railway, Switzerland
- Bern Oberland rail
- Regionalverkehr Bern-Solothurn RBS
- Community of Münsingen, Switzerland
- Dietikon town
- Senior centre Oberburg
- Care centre Entlisberg City of Zurich

WORLDWIDE

- Leinelä station, Kehärata, Finland
- Jorv hospital, Espoo, Finland
- Gosport Borough Council, UK
- East Midland Trains, UK
- Olympia Exhibition Centre, London, UK
- Morrisons Supermarket, Edgware Road, London, UK
- Dublin Dockland Authority, Dublin, Ireland
- Immigration Department, Hong Kong
- Swartnoz airport, Jerewan, Armenia
- Bosch, Dubai
- Ole Bulls Plass, Bergen, Norway
- Park, Niederaanven, Luxembourg
- Metrolinx, Canada
- Doktorspromenade, Falkenberg, Sweden
- National Air & Space Museum, Washington, USA



ERLAU®

A BRAND OF THE RUD GROUP



CONTACT

We are here to help.

GERMANY

RUD Ketten
Rieger & Dietz GmbH & Co. KG
Friedensinsel, 73432 Aalen
Tel. +49 7361 504-0
Fax +49 7361 504-3017
objekteinrichtung@erlau.com
www.erlau.com
www.shop.erlau.com

ITALY

SEDO
Julius-Durst 66
39042 Brixen (BZ), Südtirol
Tel.: +39 0472 971141
Fax: +39 0472 201148
info@sedo-bz.com
www.sedo-bz.com

AUSTRIA

ERLAU in Österreich GmbH
Pfungauer Straße 67
5202 Neumarkt
Tel.: +43 6216 9000
Fax: +43 6216 9000-88
info@erlau.at
www.erlau.at

A company of the RUD Group

